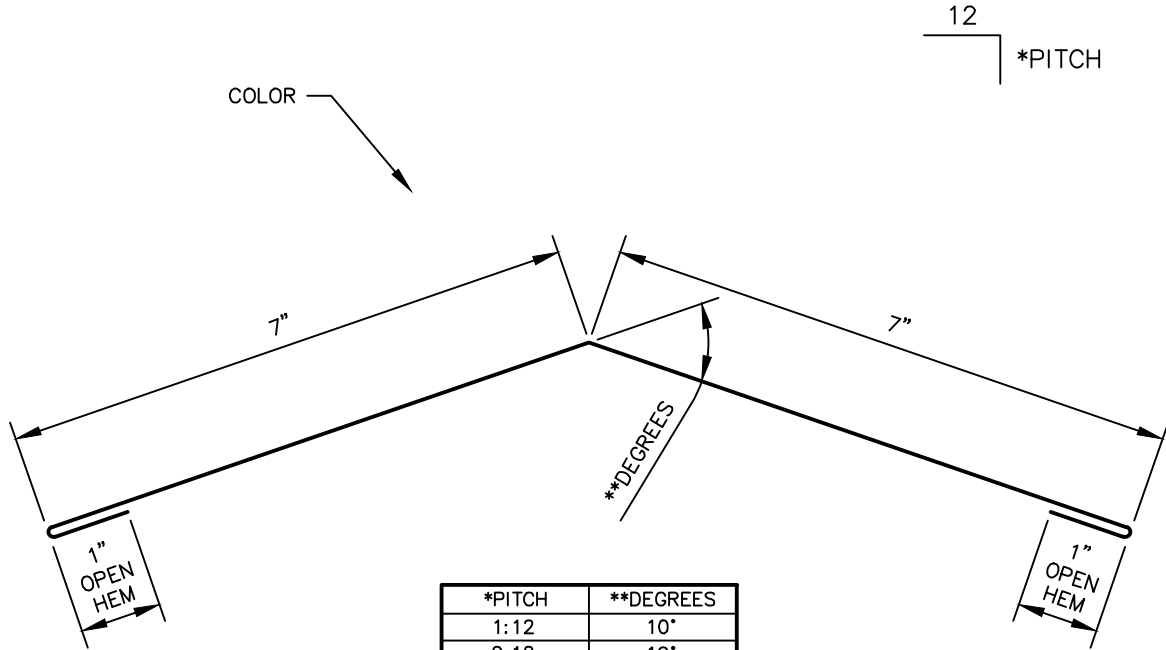


138T INDEX

<u>DWG #:</u>	<u>DESCRIPTION:</u>	<u>IMAGE #:</u>
MT-2	Ridge Cap	700
MT-3	Vented Ridge Cap	701
MT-5	Hip Cap	702
MT-7	Valley Trim (w/ Integral Cleat)	703
MT-8	Valley Trim (w/o Cleat)	704
MT-9	Transition Trim (w/ Integral Cleat)	705
MT-10	Valley Trim	706
MT-14	138T Zee Closure	710
MT-14N	138T Notched Zee Closure	711
MT-25	High Eave Trim	726
MT-26	Standard Eave Drip Trim	727
MT-28	Alternate Eave Trim	729
MT-29	Alternate Eave Drip Trim	730
MT-31	Standard Rake Trim	732
MT-32	Alternate Rake Trim	733
MT-34	Standard Sidewall Trim	735
MT-35	Standard Headwall Trim	736
MT-36	Curved Rake Trim (2 pc system)	737
MT-37	Standard Cleat	738
MT-38	Standard Offset Cleat	739
MT-61	Standard Box Gutter	758
MT-62	Flanged Box Gutter	759
MT-63B	7" Box Gutter	760
MT-63C	7" Box Gutter (for 138T & 238T Panels)	841
MT-64	Round Face Gutter	761
MT-67	Gutter / Downspout Strap	763
MT-68	Gutter End Cap (for Standard & Flanged Box Gutter)	764
MT-69B	Gutter End Cap (for 7" Box Gutter)	765
MT-133	Perforated "J" Channel	786
MT-154	Vented Headwall Trim	796
MT-156	Rake Support Cleat	798
MT-183	Rake Trim	830
MT-186	.063 Aluminum Vented Eave / Ridge Trim	833
MT-189	Floating Ridge Trim	836
MT-190	Floating Ridge Trim for Vented	837
MT-191	Floating Hip Trim	838
MT-192	Floating Headwall Trim	839



*PITCH	**DEGREES
1:12	10°
2:12	19°
3:12	28°
4:12	37°
5:12	45°
6:12	53°
7:12	61°
8:12	68°
9:12	74°
10:12	80°
11:12	85°
12:12	90°

RIDGE CAP

PANEL PROFILES	GAUGES
138T	22 and 24
238T	22 and 24
INSTALOC	22 and 24
MAXIMA 2"	22 and 24
MAXIMA 2" ADV	22 and 24
MAXIMA 2" ADV w/o SHOULDERS	22 and 24
TRAP-TEE	22 and 24

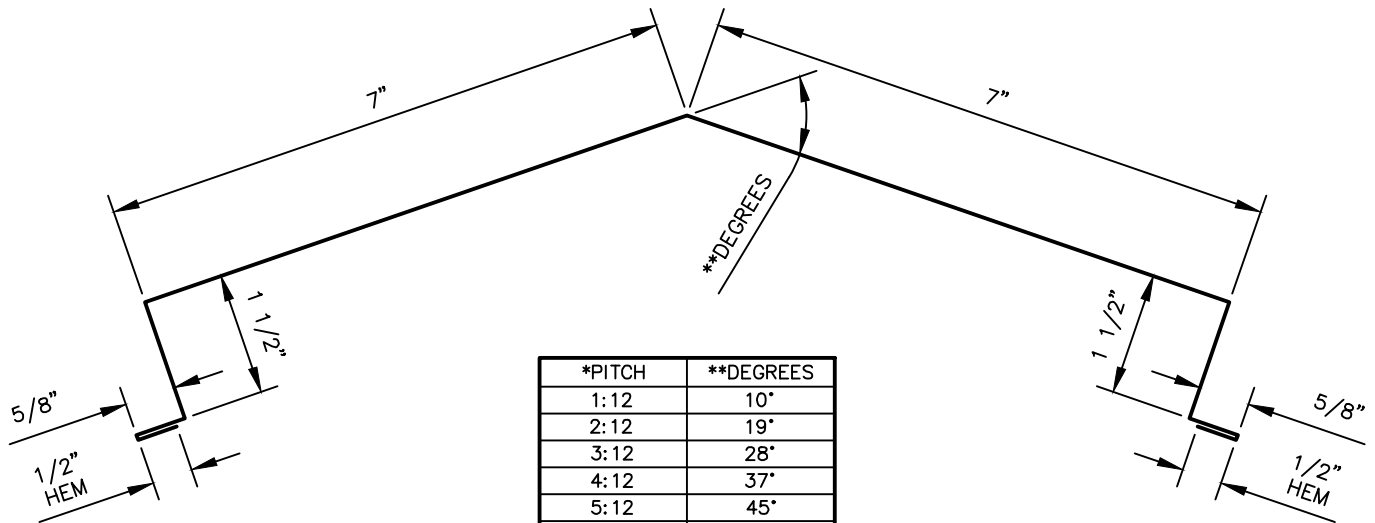
9-1-23 rev.
 8-23-19 rev.
 1-19-17

GIRTH: 16"
 BENDS: AS SPECIFIED



12
*PITCH

COLOR →



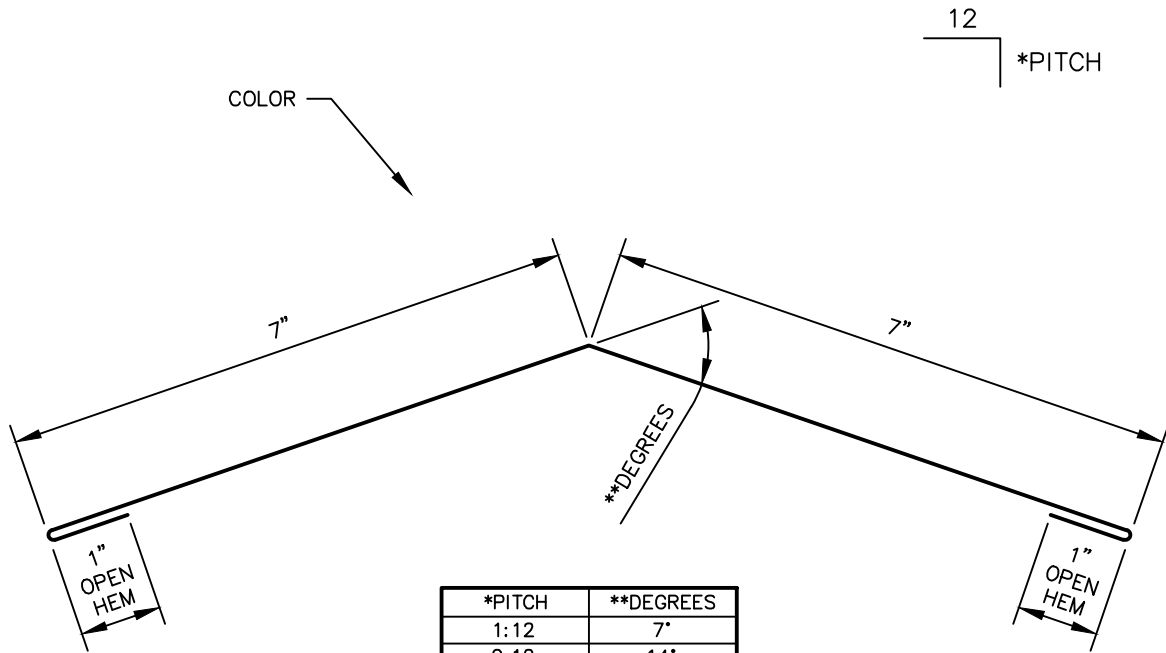
*PITCH	**DEGREES
1:12	10°
2:12	19°
3:12	28°
4:12	37°
5:12	45°
6:12	53°
7:12	61°
8:12	68°
9:12	74°
10:12	80°
11:12	85°
12:12	90°

VENTED RIDGE CAP

PANEL PROFILES	GAUGES
138T	22 and 24
238T	22 and 24
INSTALOC	22 and 24
MAXIMA 2"	22 and 24
MAXIMA 2" ADV	22 and 24
MAXIMA 2" ADV w/o SHOULDERS	22 and 24

8-23-19 rev.
1-19-17

GIRTH: 19 1/4"
BENDS: 90° AND AS SPECIFIED



HIP CAP

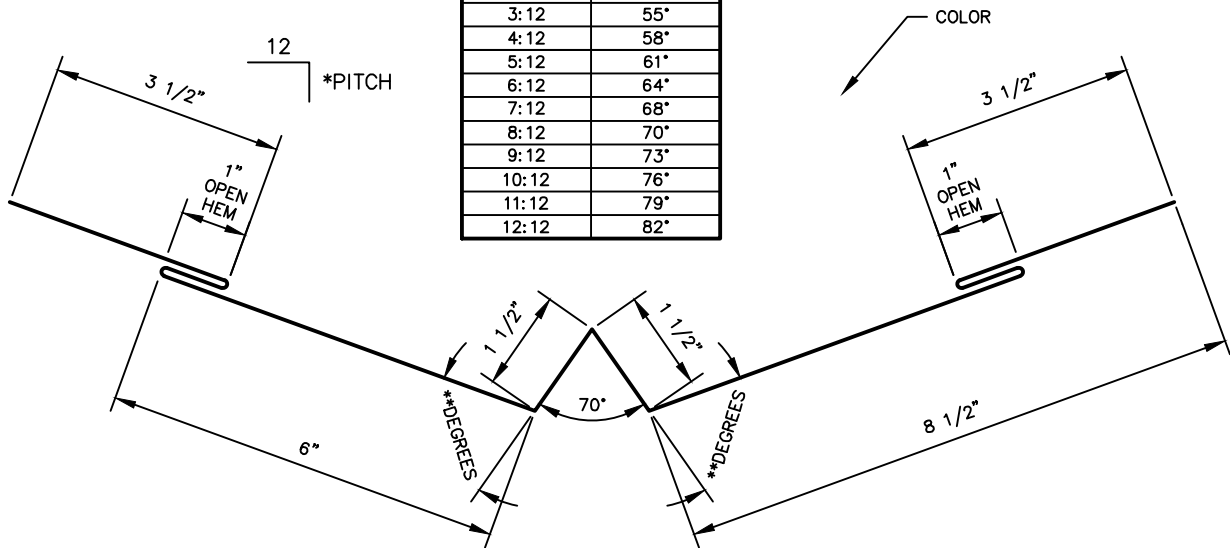
PANEL PROFILES	GAUGES
138T	22 and 24
238T	22 and 24
INSTALOC	22 and 24
MAXIMA 2"	22 and 24
MAXIMA 2" ADV	22 and 24
MAXIMA 2" ADV w/o SHOULDERS	22 and 24

8-23-19 rev.
1-19-17

GIRTH: 16"
BENDS: AS SPECIFIED



*PITCH	**DEGREES
1:12	48°
2:12	52°
3:12	55°
4:12	58°
5:12	61°
6:12	64°
7:12	68°
8:12	70°
9:12	73°
10:12	76°
11:12	79°
12:12	82°



VALLEY TRIM
(w/ INTEGRAL CLEAT)

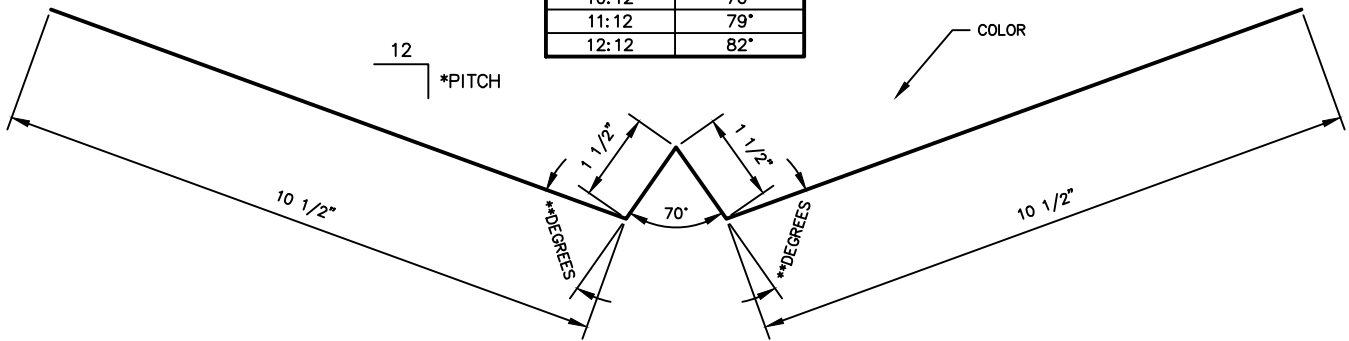
PANEL PROFILES	GAUGES
138T	22 and 24
238T	22 and 24
INSTALOC	22 and 24
MAXIMA 2"	22 and 24
MAXIMA 2" ADV	22 and 24
MAXIMA 2" ADV w/o SHOULDERS	22 and 24

8-23-19 rev.
1-19-17

GIRTH: 24"
BENDS: AS SPECIFIED



*PITCH	**DEGREES
1:12	48°
2:12	52°
3:12	55°
4:12	58°
5:12	61°
6:12	64°
7:12	68°
8:12	70°
9:12	73°
10:12	76°
11:12	79°
12:12	82°

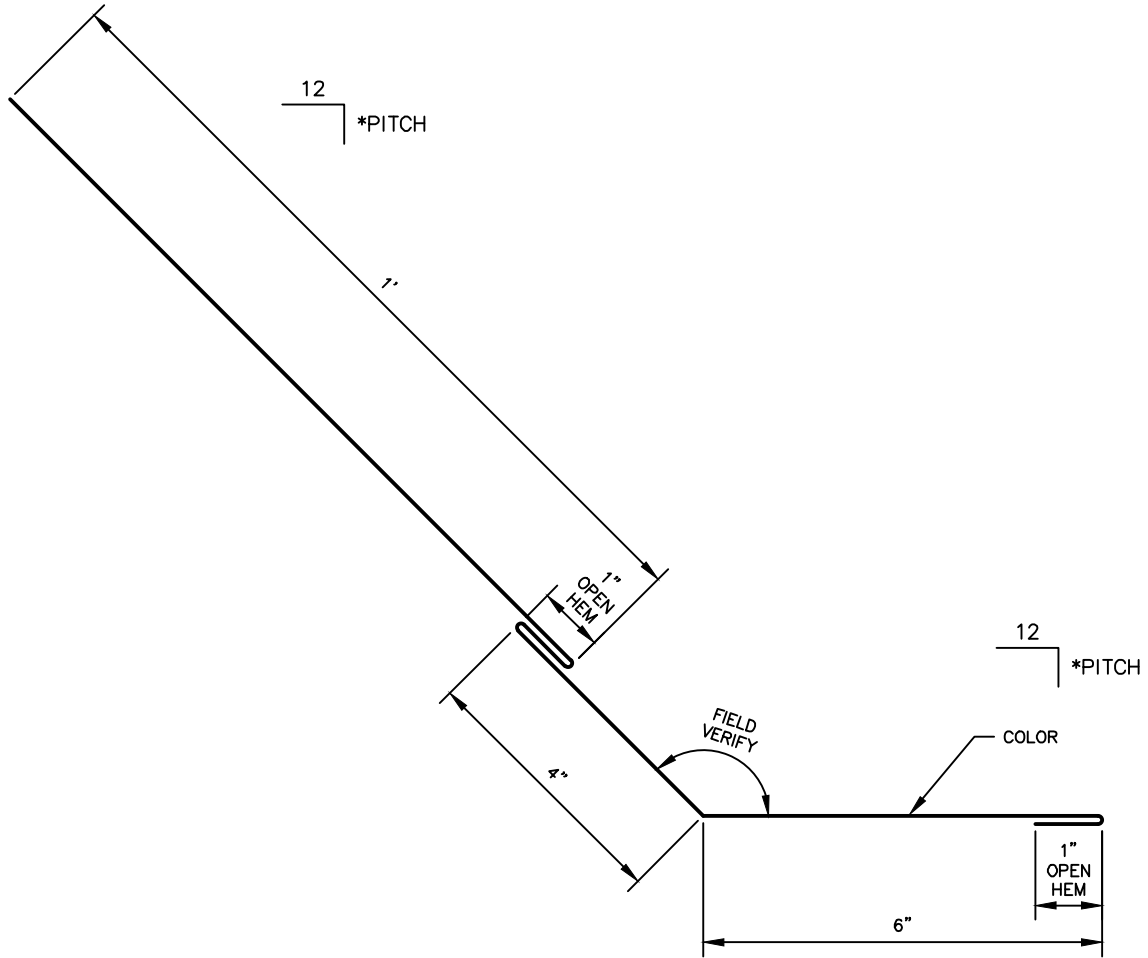


VALLEY TRIM
(w/o CLEAT)

PANEL PROFILES	GAUGES
138T	22 and 24
238T	22 and 24
INSTALOC	22 and 24
MAXIMA 2"	22 and 24
MAXIMA 2" ADV	22 and 24
MAXIMA 2" ADV w/o SHOULDERS	22 and 24

8-23-19 rev.
1-19-17

GIRTH: 24"
BENDS: AS SPECIFIED



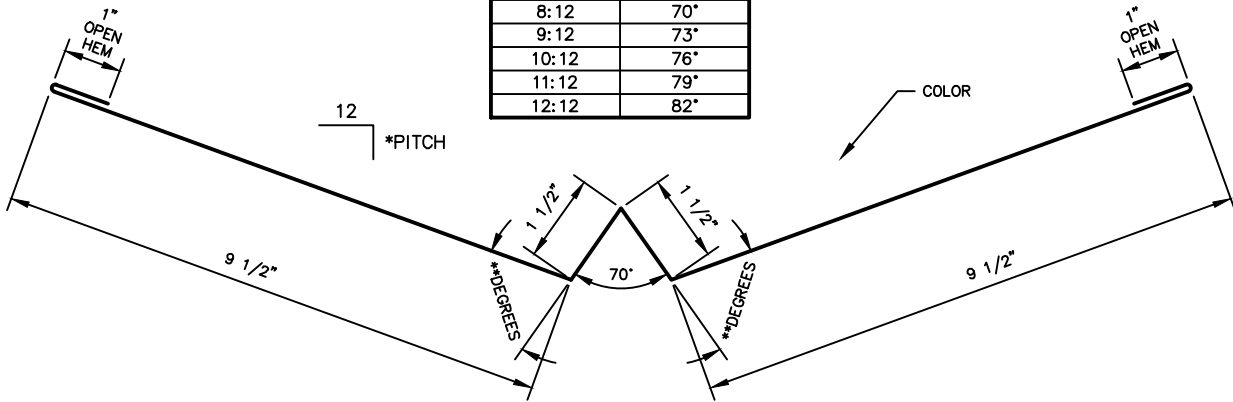
TRANSITION TRIM
(w/ INTEGRAL CLEAT)

PANEL PROFILES	GAUGE
138T	24
238T	24
INSTALOC	24
MAXIMA 2"	24
MAXIMA 2" ADV	24
MAXIMA 2" ADV w/o SHOULDERS	24

GIRTH: 24"
BENDS: AS SPECIFIED



*PITCH	**DEGREES
1:12	48°
2:12	52°
3:12	55°
4:12	58°
5:12	61°
6:12	64°
7:12	68°
8:12	70°
9:12	73°
10:12	76°
11:12	79°
12:12	82°

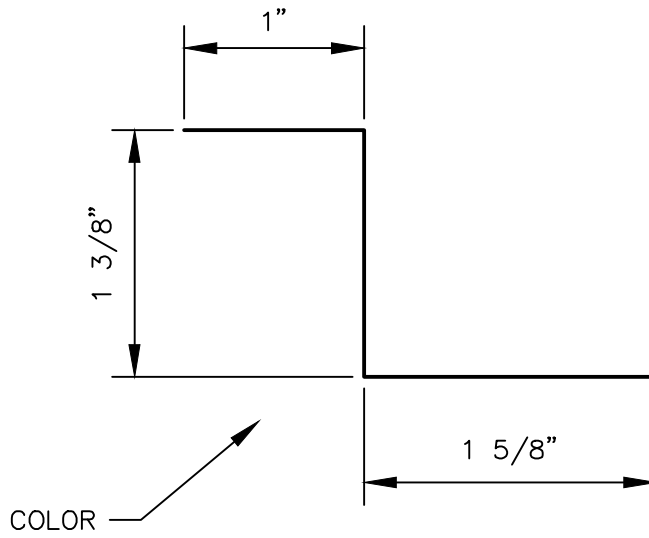


*USE WITH (2) MT-11 VALLEY CLIPS

VALLEY TRIM

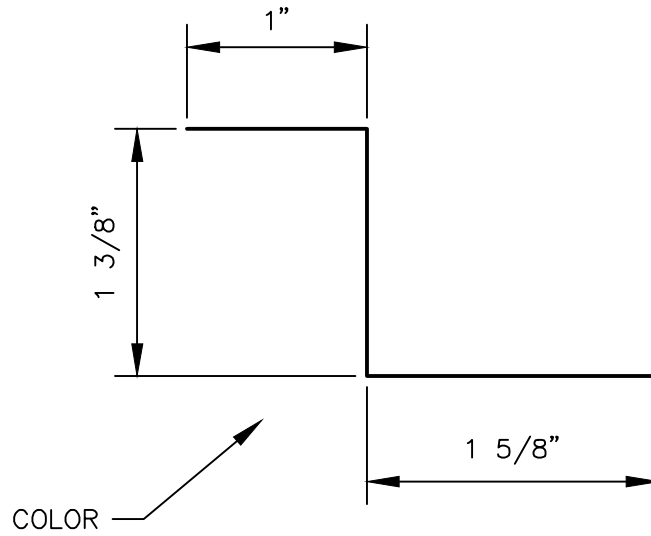
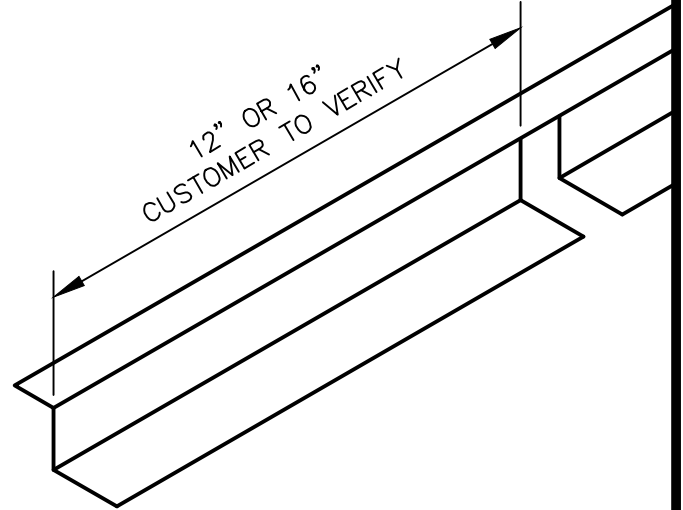
PANEL PROFILES	GAUGE
138T	24
238T	24
INSTALOC	24
MAXIMA 2"	24
MAXIMA 2" ADV	24
MAXIMA 2" ADV w/o SHOULDERS	24

GIRTH: 24"
BENDS: AS SPECIFIED



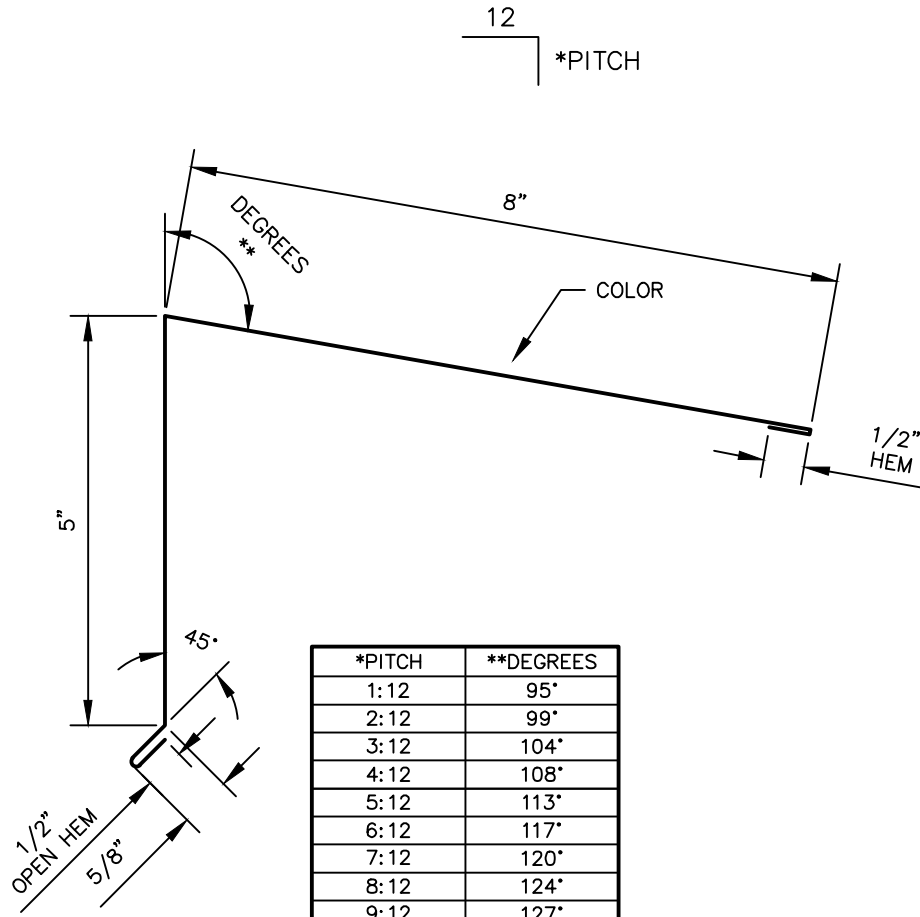
138T ZEE CLOSURE

PANEL PROFILES	GAUGE
138T	24



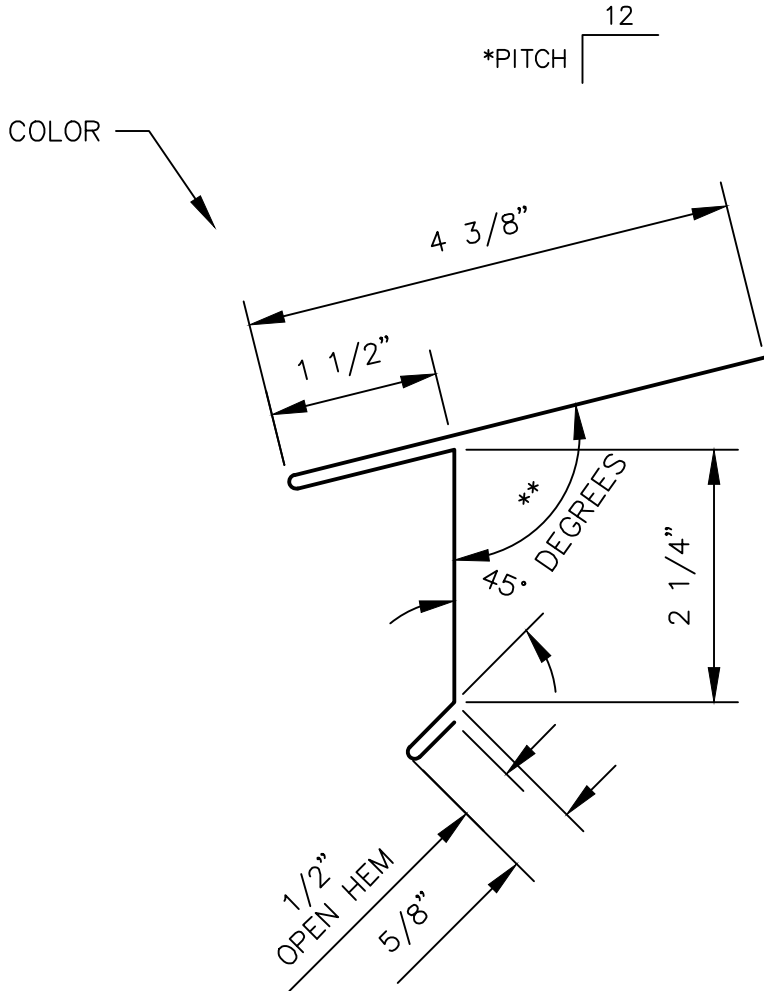
138T NOTCHED ZEE CLOSURE

PANEL PROFILES	GAUGE
138T	24



HIGH EAVE TRIM

PANEL PROFILES	GAUGE
138T	24
238T	24
INSTALOC	24
MAXIMA 2"	24
MAXIMA 2" ADV	24
MAXIMA 2" ADV w/o SHOULDERS	24
TRAP-TEE	24



*PITCH	**DEGREES
1:12	95°
2:12	99°
3:12	104°
4:12	108°
5:12	113°
6:12	117°
7:12	120°
8:12	124°
9:12	127°
10:12	130°
11:12	133°
12:12	135°

STANDARD EAVE DRIP TRIM

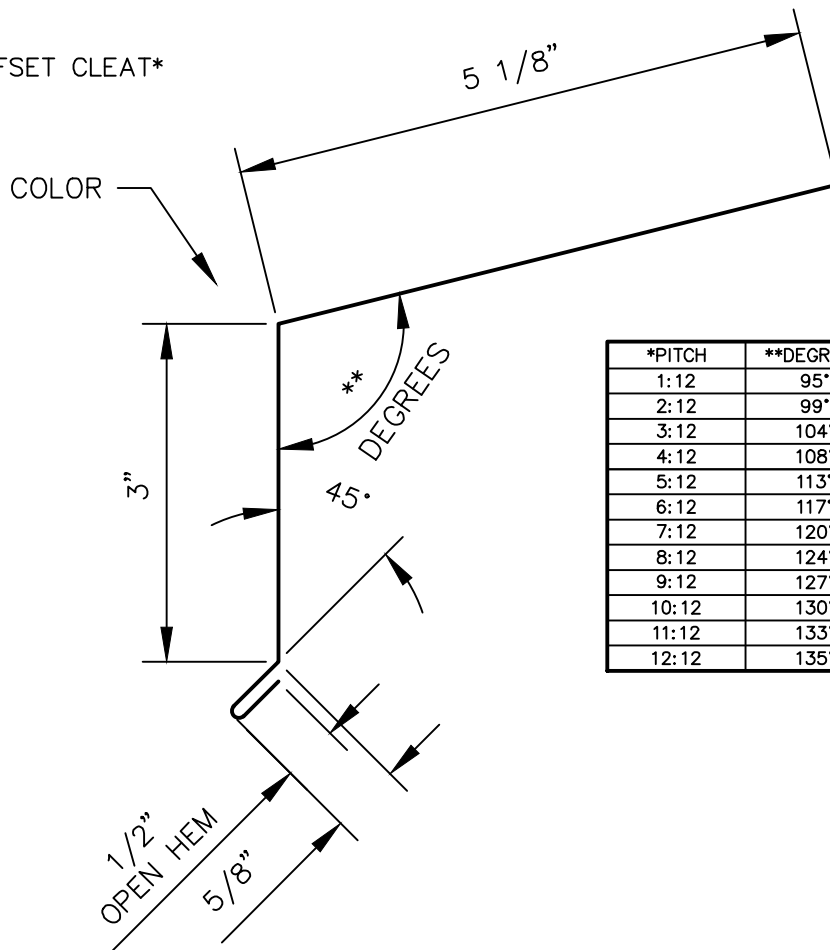
PANEL PROFILES	GAUGE
138T	24
238T	24
INSTALOC	24
MAXIMA 2"	24
MAXIMA 2" ADV	24
MAXIMA 2" ADV w/o SHOULDERS	24

GIRTH: $9 \frac{1}{4}$ "
 BENDS: AS SPECIFIED



*PITCH $\frac{12}{12}$

USE WITH MT-38 OFFSET CLEAT



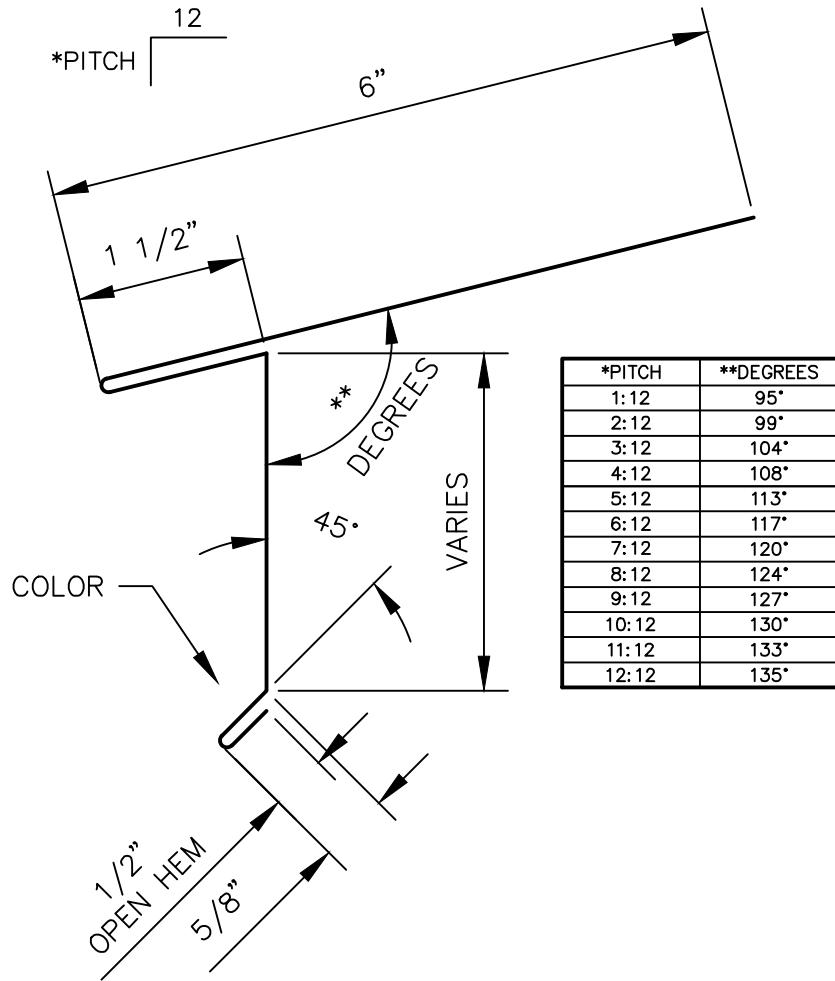
*PITCH	**DEGREES
1:12	95°
2:12	99°
3:12	104°
4:12	108°
5:12	113°
6:12	117°
7:12	120°
8:12	124°
9:12	127°
10:12	130°
11:12	133°
12:12	135°

ALTERNATE EAVE TRIM

PANEL PROFILES	GAUGE
138T	24
238T	24
INSTALOC	24
MAXIMA 2"	24
MAXIMA 2" ADV	24
MAXIMA 2" ADV w/o SHOULDERS	24
TRAP-TEE	24

9-1-23 rev.
1-19-17

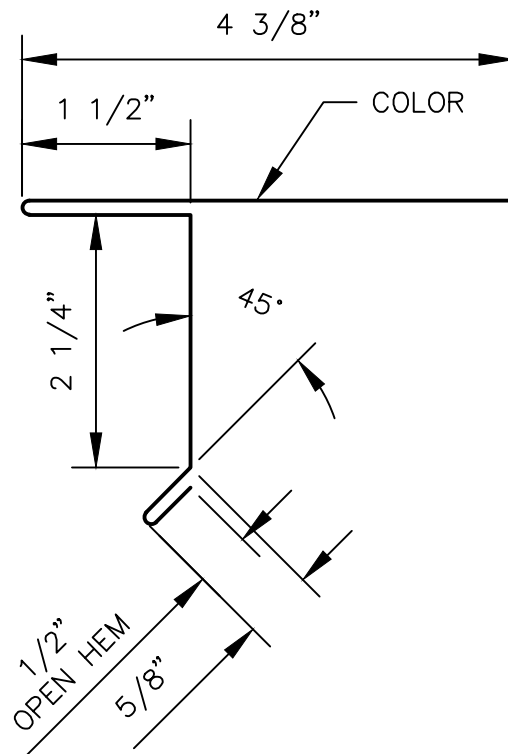
GIRTH: 9 1/4"
BENDS: AS SPECIFIED



ALTERNATE EAVE DRIP TRIM

PANEL PROFILES	GAUGE
138T	24
238T	24
INSTALOC	24
MAXIMA 2"	24
MAXIMA 2" ADV	24
MAXIMA 2" ADV w/o SHOULDERS	24

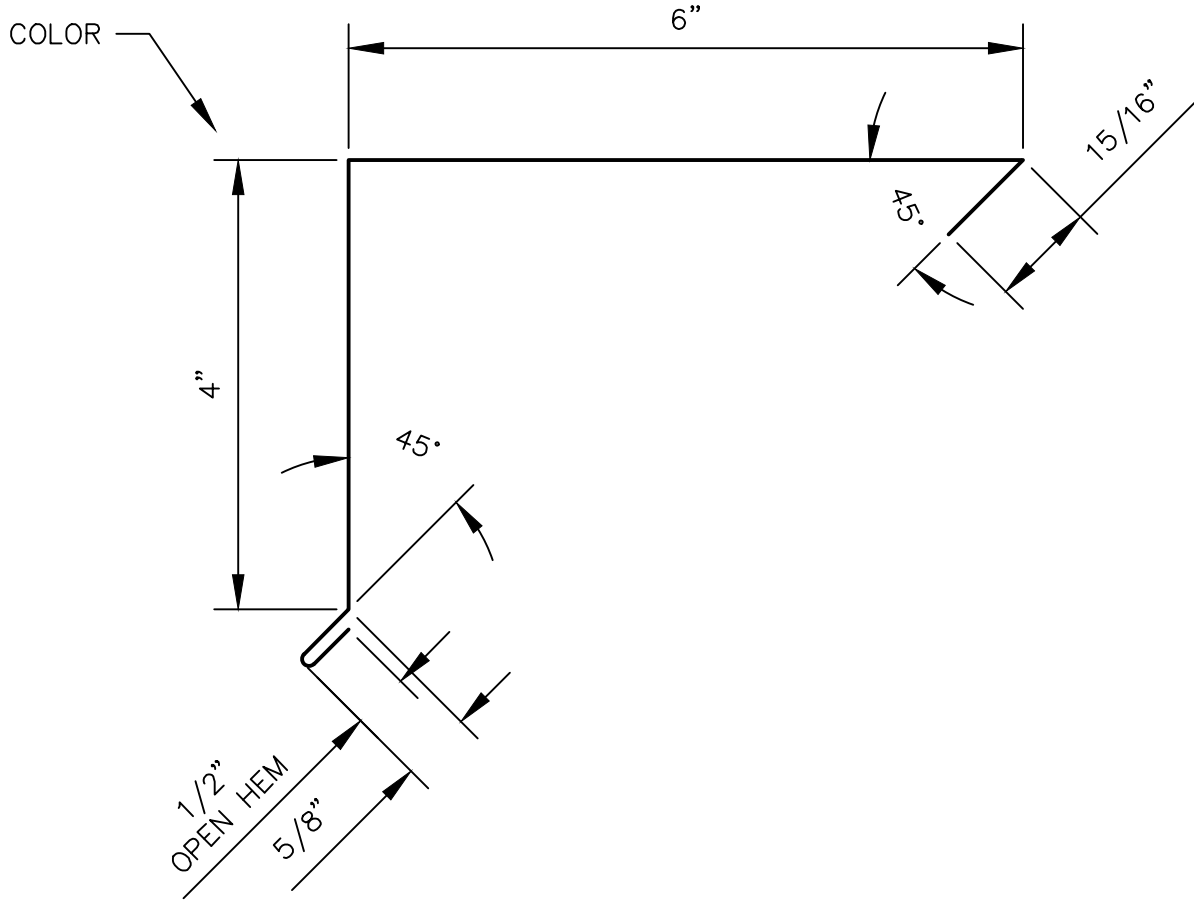
GIRTH: VARIES
BENDS: AS SPECIFIED



STANDARD RAKE TRIM

PANEL PROFILES	GAUGE
138T	24
238T	24
INSTALOC	24
MAXIMA 2"	24
MAXIMA 2" ADV	24
MAXIMA 2" ADV w/o SHOULDERS	24

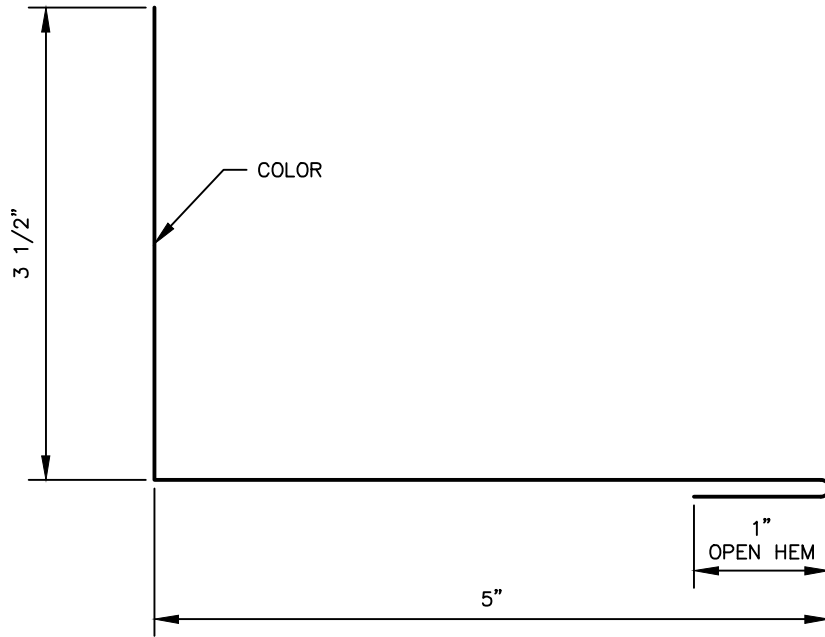
GIRTH: 9 1/4"
 BENDS: 90° AND AS SPECIFIED



ALTERNATE RAKE TRIM

PANEL PROFILES	GAUGE
138T	24
238T	24
INSTALOC	24
MAXIMA 2"	24
MAXIMA 2" ADV	24
MAXIMA 2" ADV w/o SHOULDERS	24

GIRTH: 12 1/16"
 BENDS: 90° AND AS SPECIFIED

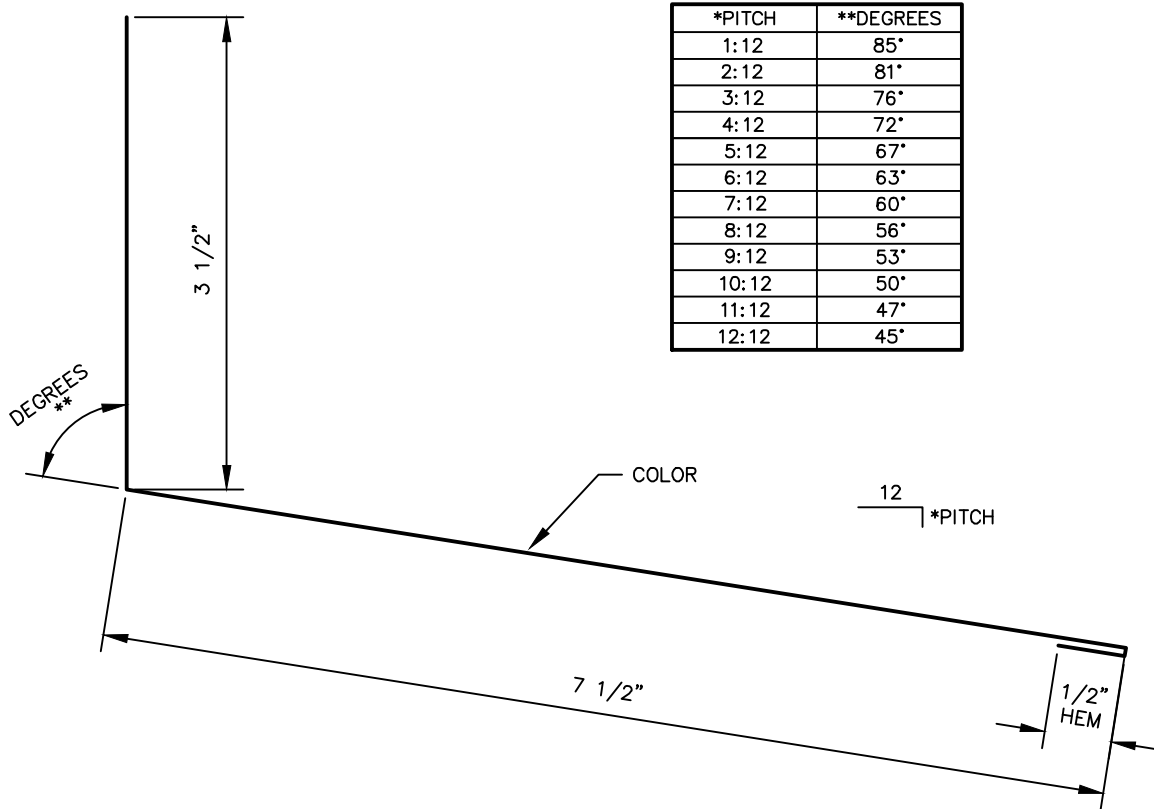


STANDARD SIDEWALL TRIM

PANEL PROFILES	GAUGE
138T	24
238T	24
INSTALOC	24
MAXIMA 2"	24
MAXIMA 2" ADV	24
MAXIMA 2" ADV w/o SHOULDERS	24
TRAP-TEE	24

9-1-23 rev.
1-19-17

GIRTH: 9 1/2"
BENDS: 90° AND AS SPECIFIED



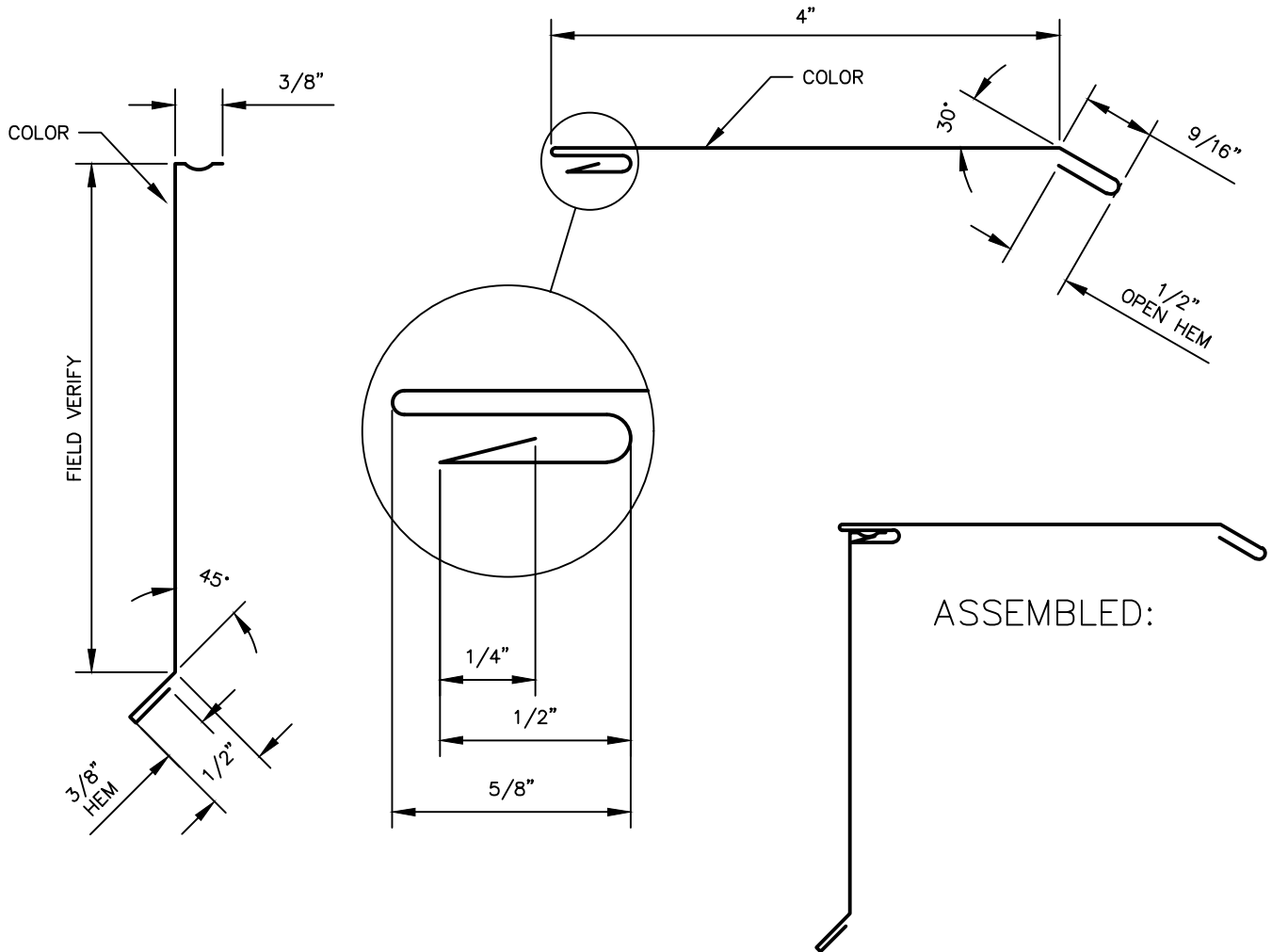
*PITCH	**DEGREES
1:12	85°
2:12	81°
3:12	76°
4:12	72°
5:12	67°
6:12	63°
7:12	60°
8:12	56°
9:12	53°
10:12	50°
11:12	47°
12:12	45°

STANDARD HEADWALL TRIM

PANEL PROFILES	GAUGE
138T	24
238T	24
INSTALOC	24
MAXIMA 2"	24
MAXIMA 2" ADV	24
MAXIMA 2" ADV w/o SHOULDERS	24
TRAP-TEE	24

9-1-23 rev.
1-19-17

GIRTH: 11 1/2"
BENDS: 90° AND AS SPECIFIED

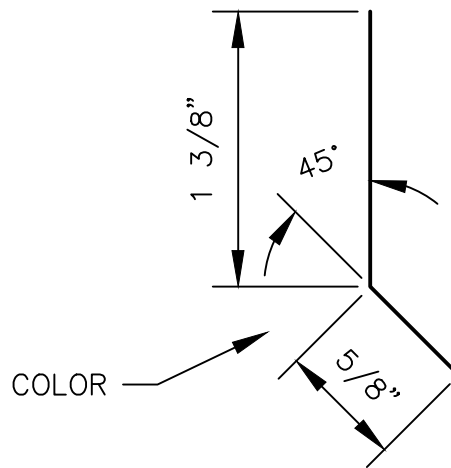


CURVED RAKE TRIM

(2 PIECE SYSTEM)

PANEL PROFILES	GAUGE
138T	24
238T	24
MAXIMA 2" ADV	24
MAXIMA 2" ADV w/o SHOULDERS	24

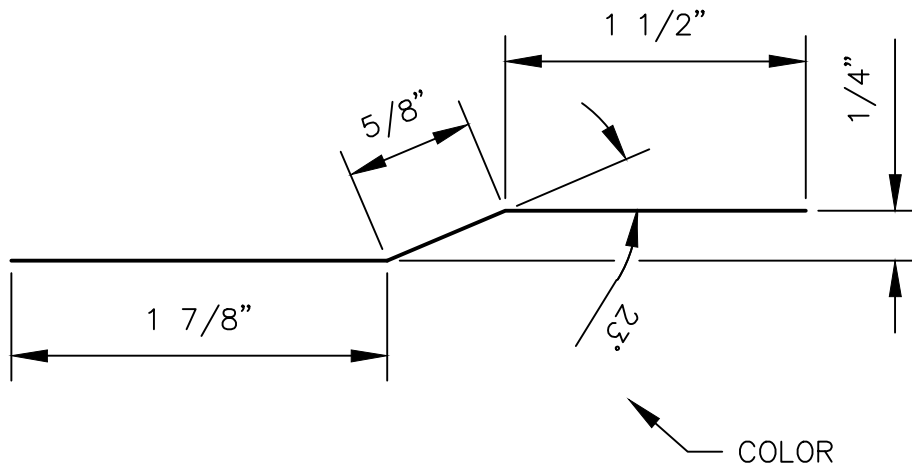
GIRTH: VARIES
BENDS: 90° AND AS SPECIFIED



STANDARD CLEAT

PANEL PROFILES	GAUGE
138T	24
238T	24
INSTALOC	24
MAXIMA 2"	24
MAXIMA 2" ADV	24
MAXIMA 2" ADV w/o SHOULDERS	24

GIRTH: 2"
BENDS: AS SPECIFIED

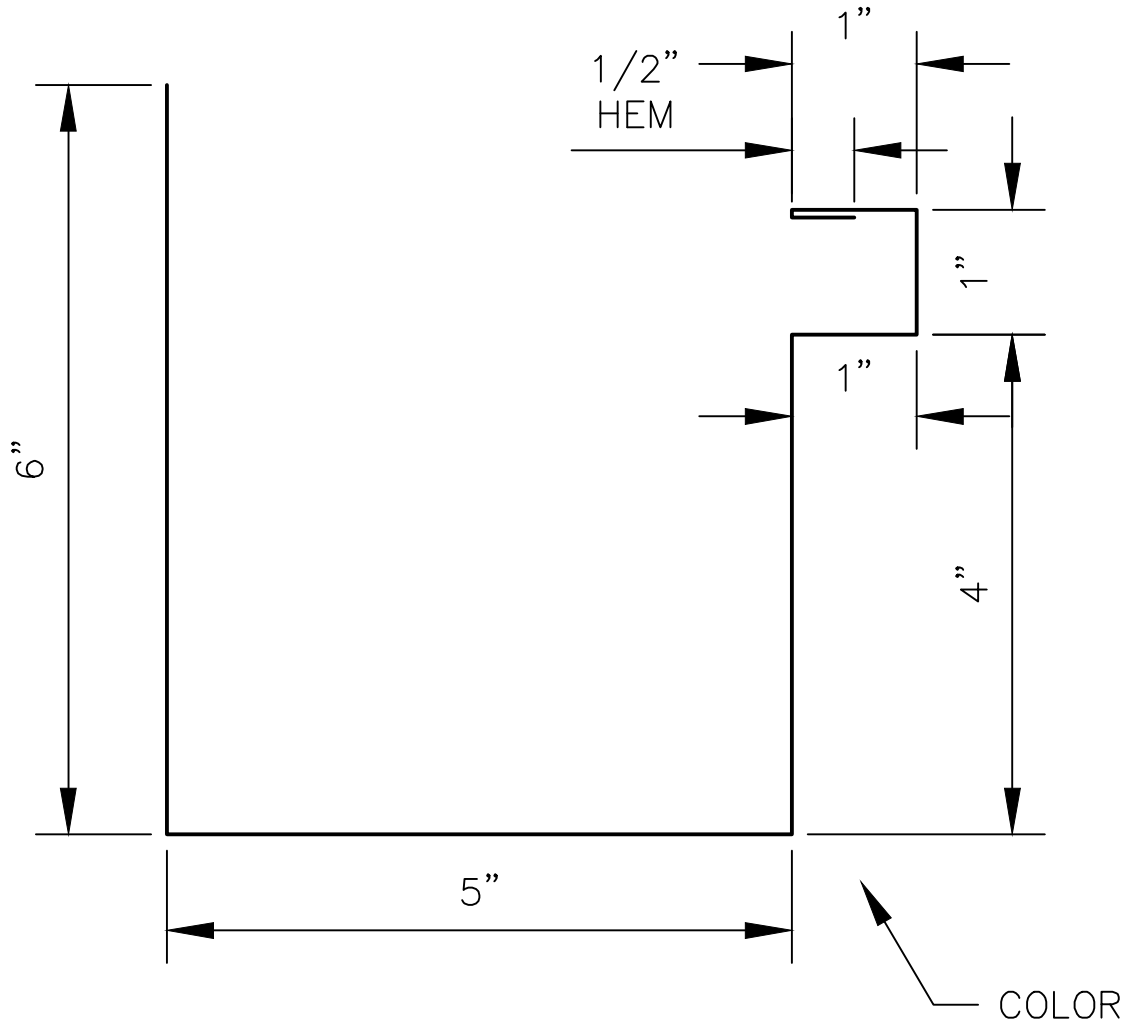


STANDARD OFFSET CLEAT

PANEL PROFILES	GAUGE
138T	24
238T	24
INSTALOC	24
TRAP-TEE	24

9-1-23 rev.
 8-23-18 rev.
 1-19-17

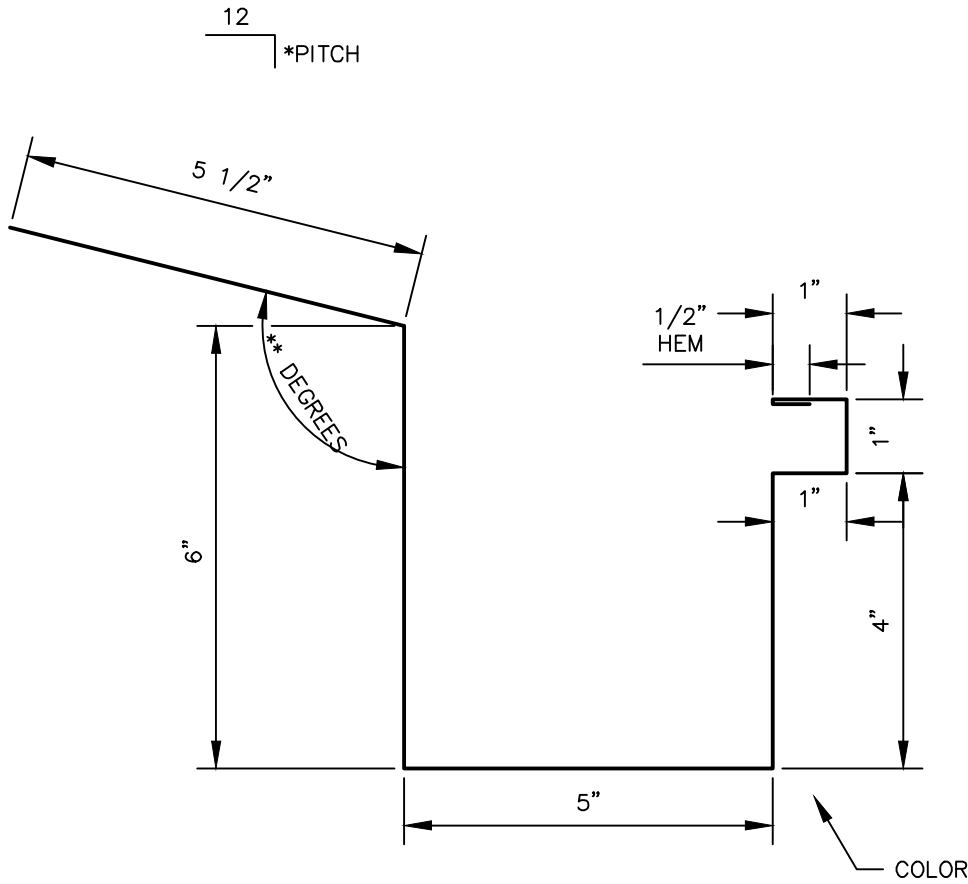
GIRTH: 4"
 BENDS: AS SPECIFIED



STANDARD BOX GUTTER

PANEL PROFILES	GAUGE
138T	24
238T	24
INSTALOC	24
MAXIMA 2"	24
MAXIMA 2" ADV	24
MAXIMA 2" ADV w/o SHOULDERS	24

GIRTH: 18 1/2"
 BENDS: 90° AND AS SPECIFIED

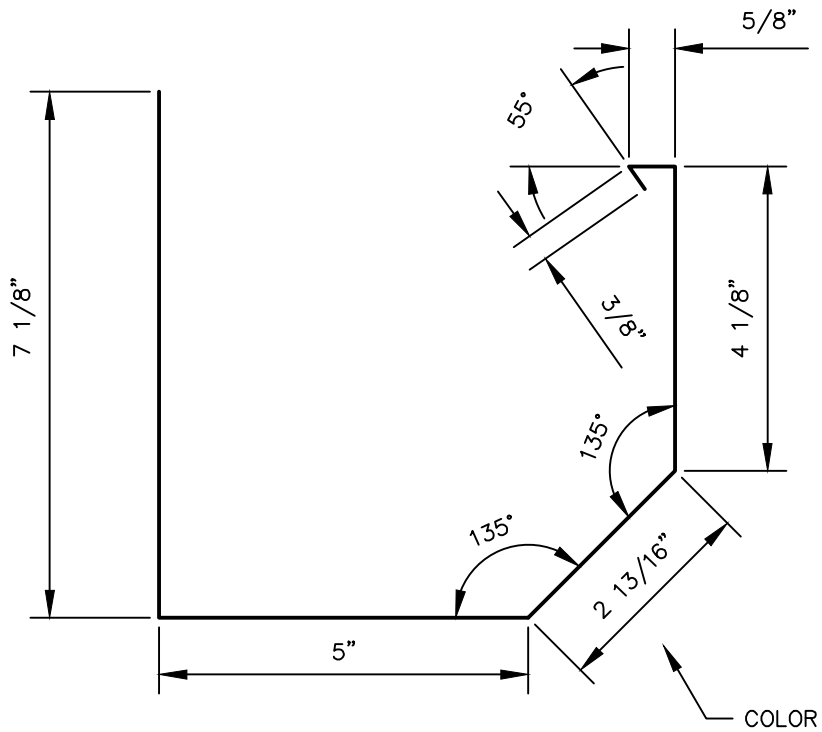


*PITCH	**DEGREES
1:12	95°
2:12	99°
3:12	104°
4:12	108°
5:12	113°
6:12	117°
7:12	120°
8:12	124°
9:12	127°
10:12	130°
11:12	133°
12:12	135°

FLANGED BOX GUTTER

PANEL PROFILES	GAUGE
138T	24
238T	24
INSTALOC	24
MAXIMA 2"	24
MAXIMA 2" ADV	24
MAXIMA 2" ADV w/o SHOULDERS	24

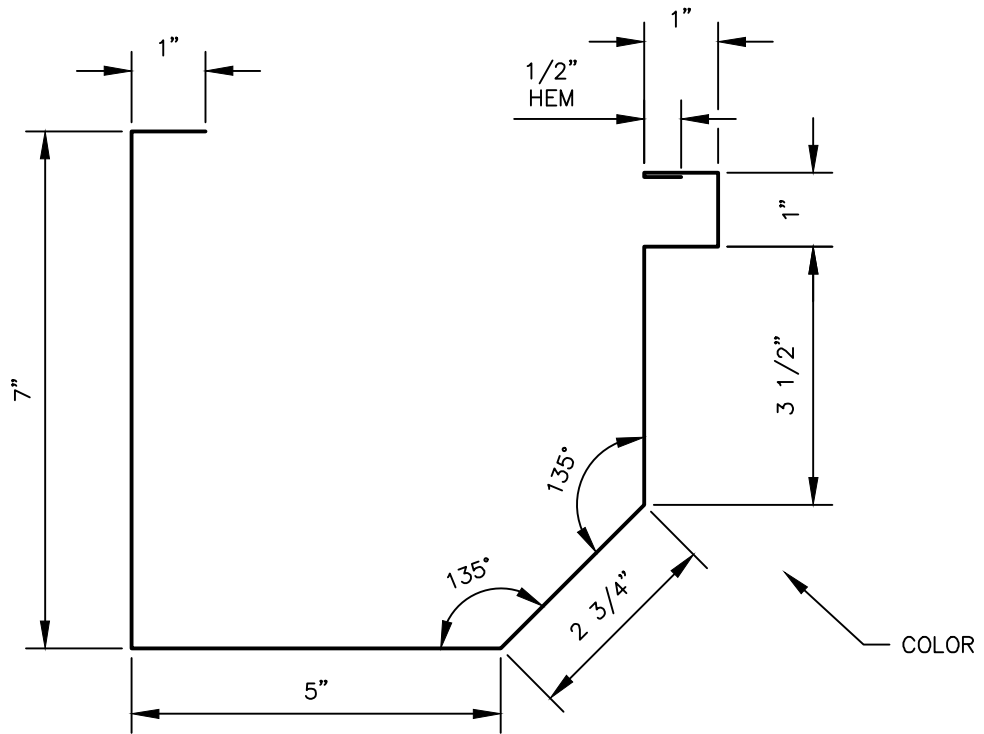
GIRTH: 24"
BENDS: 90° AND AS SPECIFIED



7" BOX GUTTER

PANEL PROFILES	GAUGE
138T	24
238T	24
INSTALOC	24
MAXIMA 2"	24
MAXIMA 2" ADV	24
MAXIMA 2" ADV w/o SHOULDERS	24

GIRTH: 20 1/16"
 BENDS: 90° AND AS SPECIFIED



7" BOX GUTTER
 (FOR 138T & 238T PANELS)

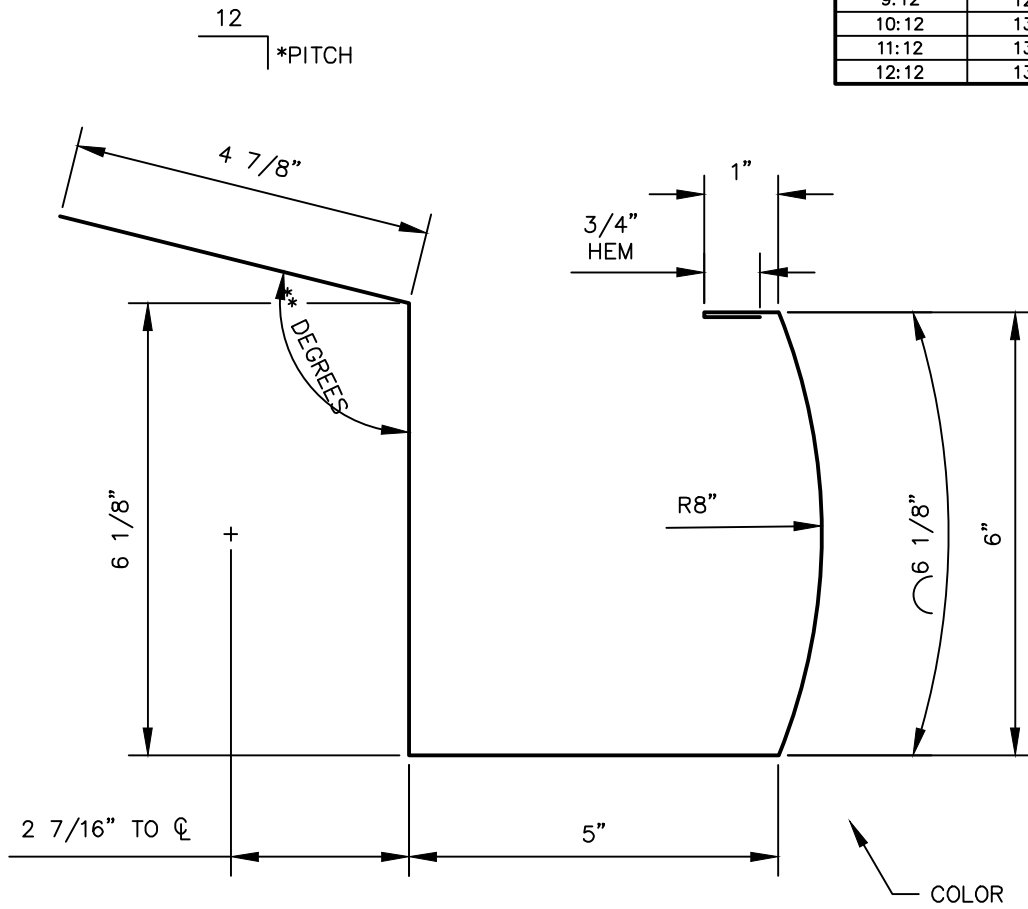
PANEL PROFILES	GAUGE
138T	24
238T	24
TRAP-TEE	24

9-1-23 rev.
 7-18-17 rev.
 3-2-17

GIRTH: 22 3/4"
 BENDS: 90° AND AS SPECIFIED



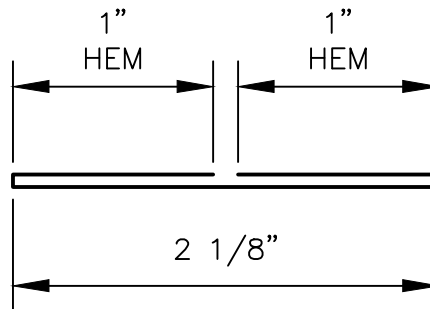
*PITCH	**DEGREES
1:12	95°
2:12	99°
3:12	104°
4:12	108°
5:12	113°
6:12	117°
7:12	120°
8:12	124°
9:12	127°
10:12	130°
11:12	133°
12:12	135°



ROUND FACE GUTTER

PANEL PROFILES	GAUGE
138T	24
238T	24
INSTALOC	24
MAXIMA 2"	24
MAXIMA 2" ADV	24
MAXIMA 2" ADV w/o SHOULDERS	24

GIRTH: 24"
BENDS: 90° AND AS SPECIFIED

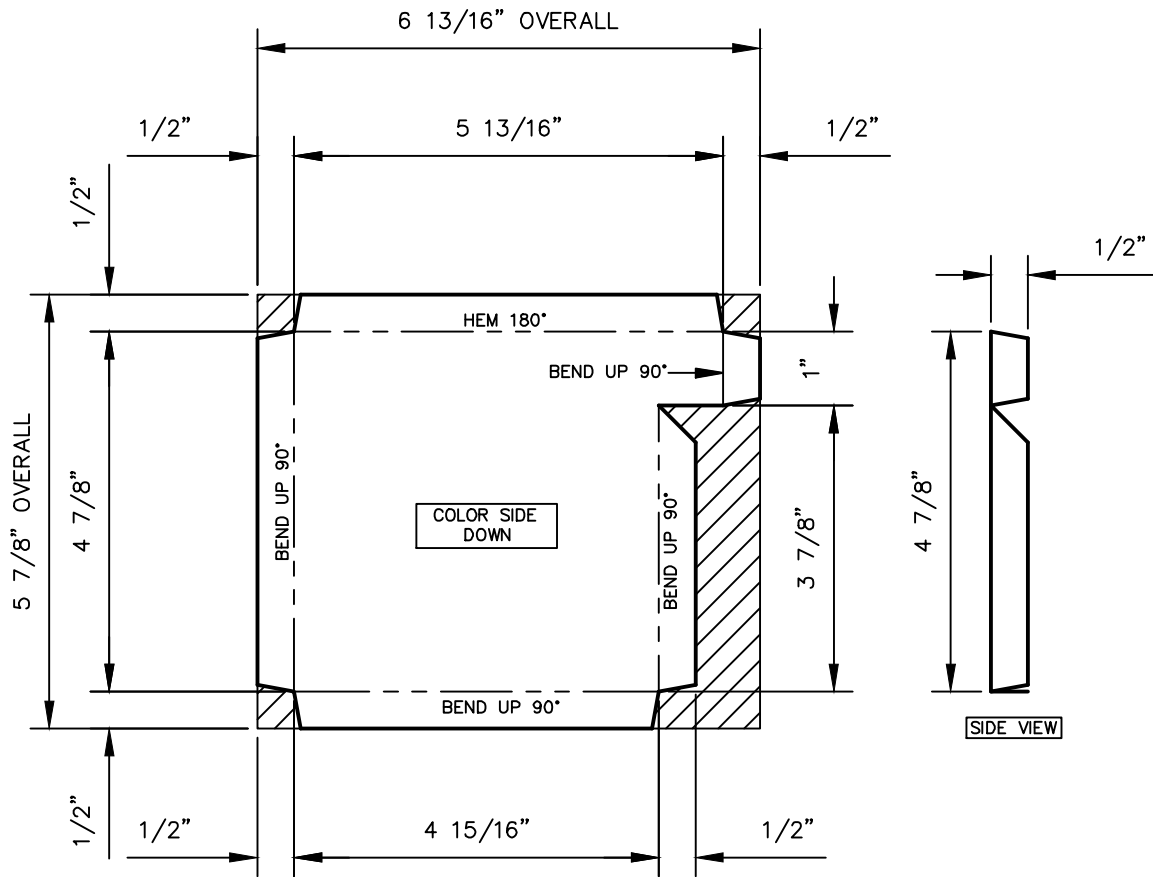


← COLOR

GUTTER/DOWNSPOUT STRAP

PANEL PROFILES	GAUGE
138T	24
238T	24
INSTALOC	24
MAXIMA 2"	24
MAXIMA 2" ADV	24
MAXIMA 2" ADV w/o SHOULDERS	24

GIRTH: 4 1/8" X 10"
BENDS: AS SPECIFIED



MT-68R= RIGHT END CAP
 MT-68L= LEFT END CAP

GUTTER END CAP

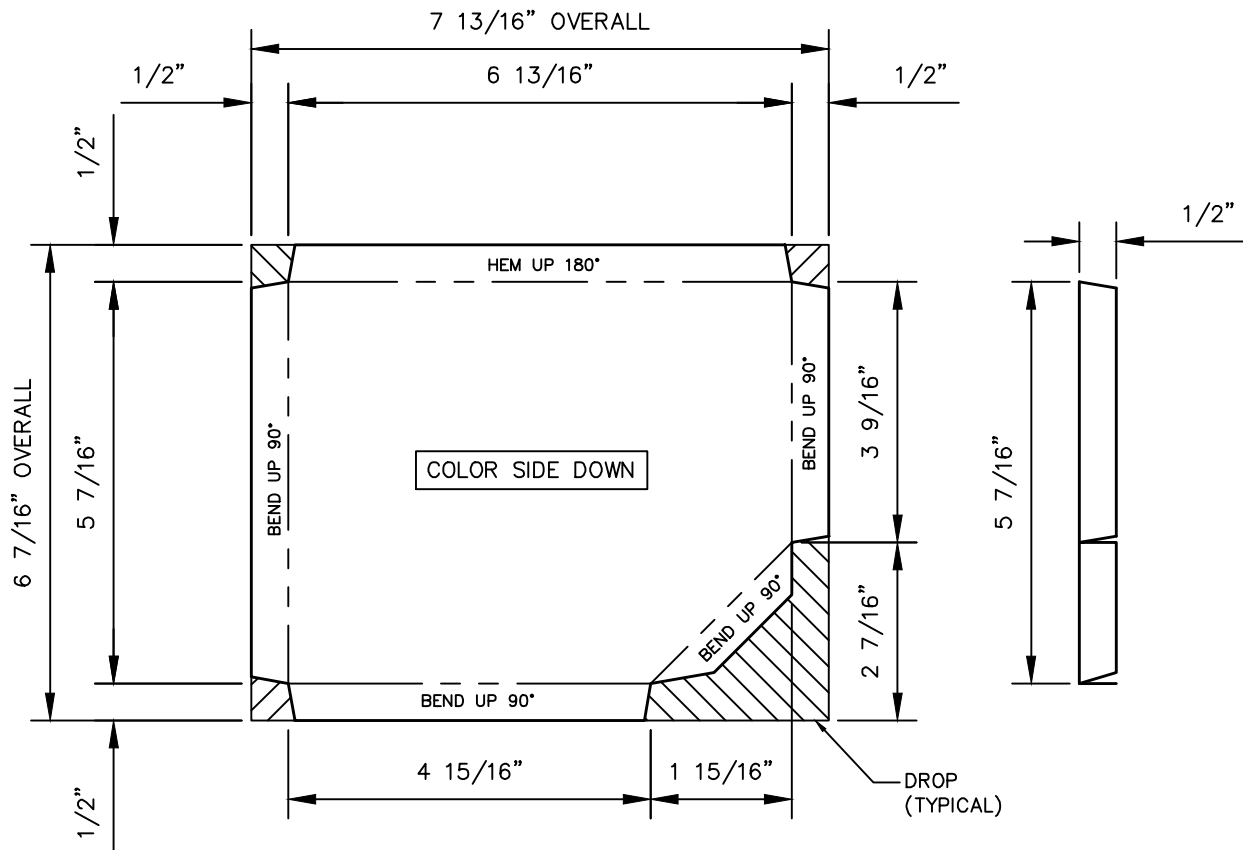
(FITS STANDARD BOX GUTTER & FLANGED BOX GUTTER)

(LEFT HAND SHOWN)

(RIGHT HAND OPP.)

PANEL PROFILES	GAUGE
138T	24
238T	24
INSTALOC	24
MAXIMA 2"	24
MAXIMA 2" ADV	24
MAXIMA 2" ADV w/o SHOULDERS	24

GIRTH: 6 13/16" X 5 7/8"
 BENDS: 90° AND AS SPECIFIED



MT-69R= RIGHT END CAP
 MT-69L= LEFT END CAP

GUTTER END CAP

(FITS 7" BOX GUTTER)
 (LEFT HAND SHOWN)
 (RIGHT HAND OPP.)

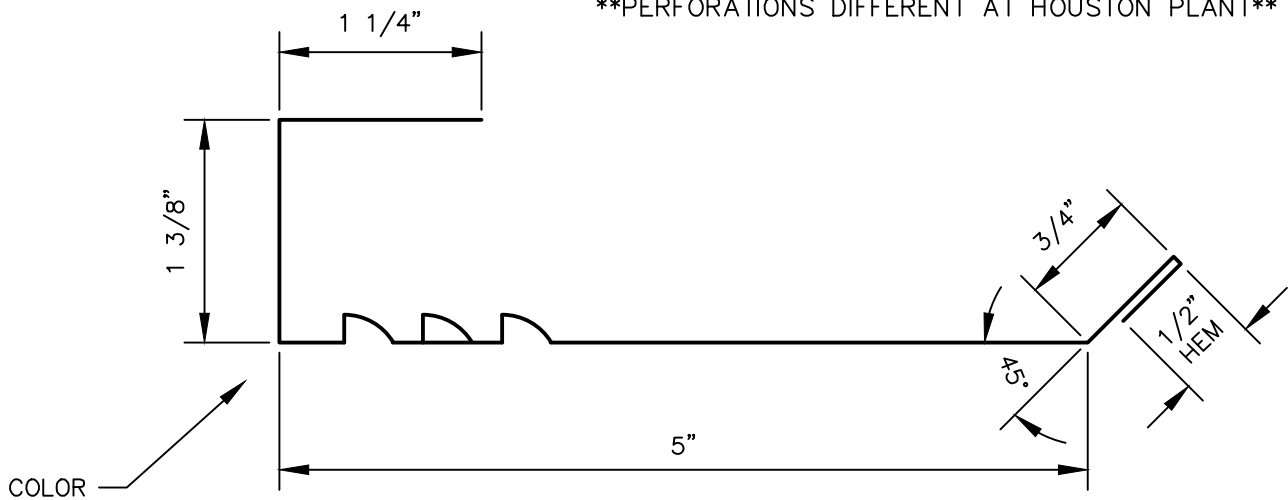
PANEL PROFILES	GAUGE
138T	24
238T	24
INSTALOC	24
MAXIMA 2"	24
MAXIMA 2" ADV	24
MAXIMA 2" ADV w/o SHOULDERS	24

1-18-21 rev.
 1-19-17

GIRTH: $7 \frac{13}{16}$ " X $6 \frac{7}{16}$ "
 BENDS: 90° AND AS SPECIFIED



****PERFORATIONS DIFFERENT AT HOUSTON PLANT****



PERFORATED "J" CHANNEL

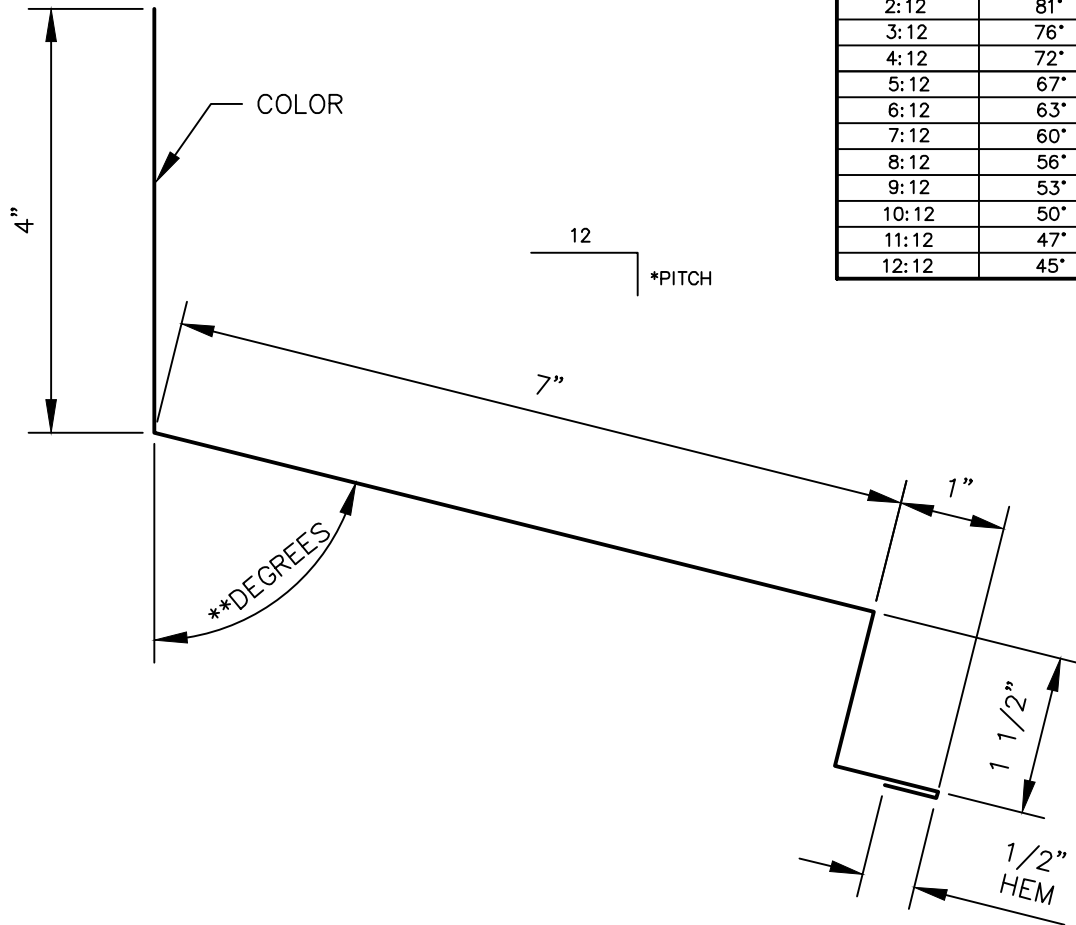
(USE WITH MT-3 VENTED RIDGE CAP & MT-154 VENTED HEADWALL)

PANEL PROFILES	GAUGE
138T	24
238T	24
INSTALOC	24
MAXIMA 2"	24
MAXIMA 2" ADV	24
MAXIMA 2" ADV w/o SHOULDERS	24

GIRTH: 8 7/8"
BENDS: 90° AND AS SPECIFIED



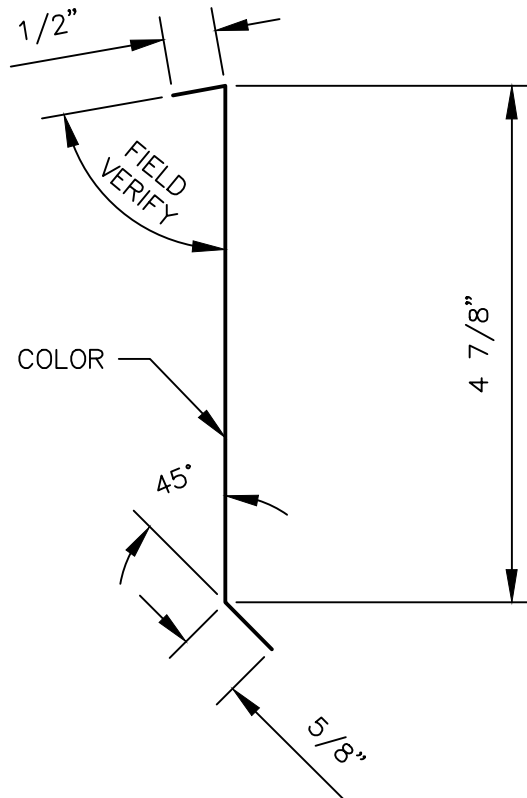
*PITCH	**DEGREES
1:12	85°
2:12	81°
3:12	76°
4:12	72°
5:12	67°
6:12	63°
7:12	60°
8:12	56°
9:12	53°
10:12	50°
11:12	47°
12:12	45°



VENTED HEADWALL TRIM
 (USE WITH MT-133 PERFORATED "J" CHANNEL)

PANEL PROFILES	GAUGE
138T	24
238T	24
INSTALOC	24
MAXIMA 2"	24
MAXIMA 2" ADV	24
MAXIMA 2" ADV w/o SHOULDERS	24

GIRTH: 14"
 BENDS: 90° AND AS SPECIFIED

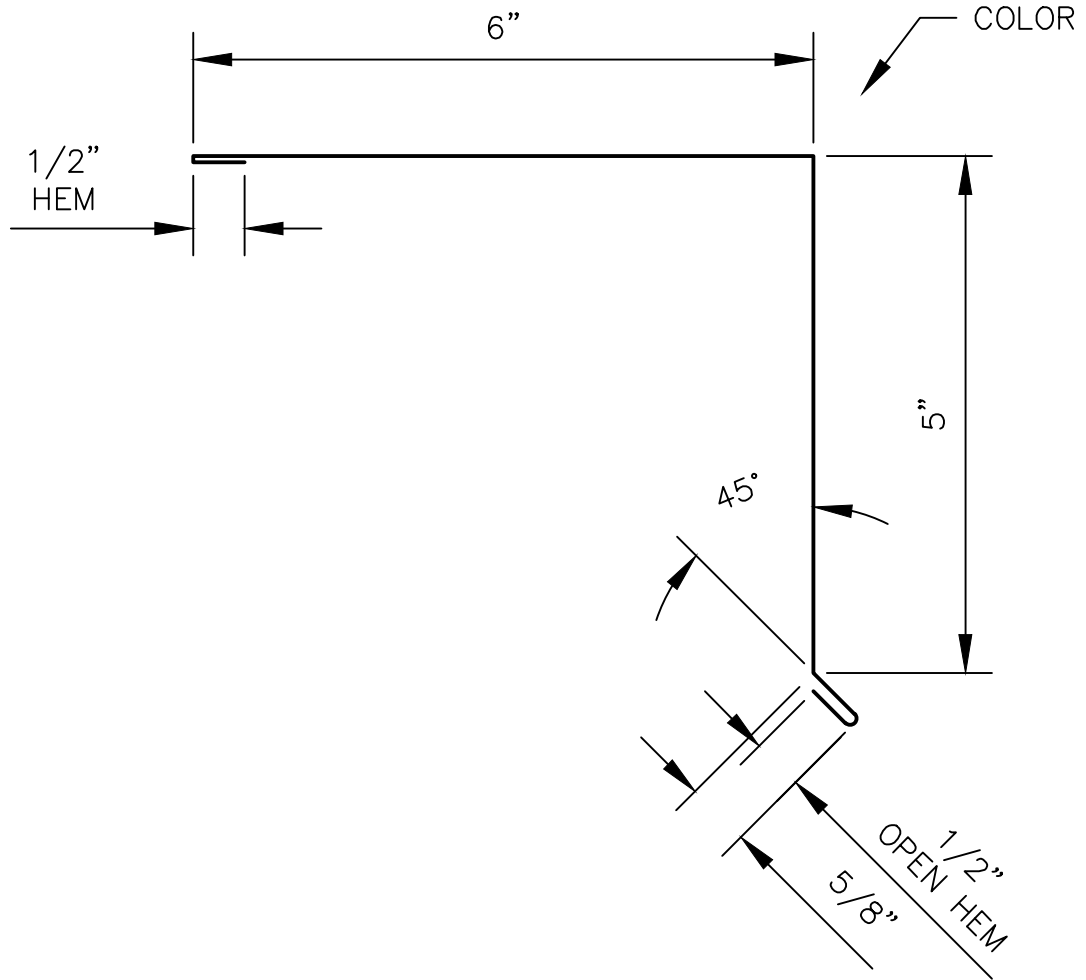


RAKE SUPPORT CLEAT

PANEL PROFILES	GAUGE
138T	24
238T	24
INSTALOC	24
MAXIMA 2"	24
MAXIMA 2" ADV	24
MAXIMA 2" ADV w/o SHOULDERS	24
TRAP-TEE	24

9-1-23 rev.
 2-3-20 rev.
 1-19-17

GIRTH: 6"
 BENDS: AS SPECIFIED

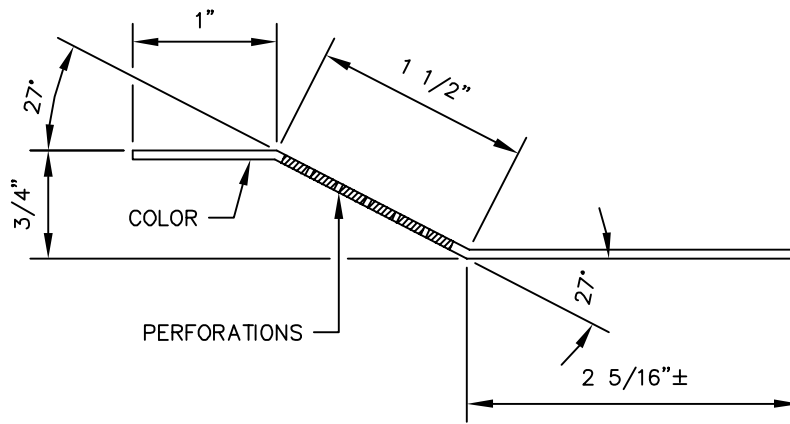


RAKE TRIM

PANEL PROFILES	GAUGE
138T	24
238T	24
TRAP-TEE	24

9-1-23 rev.
7-17-18 rev.
1-19-17

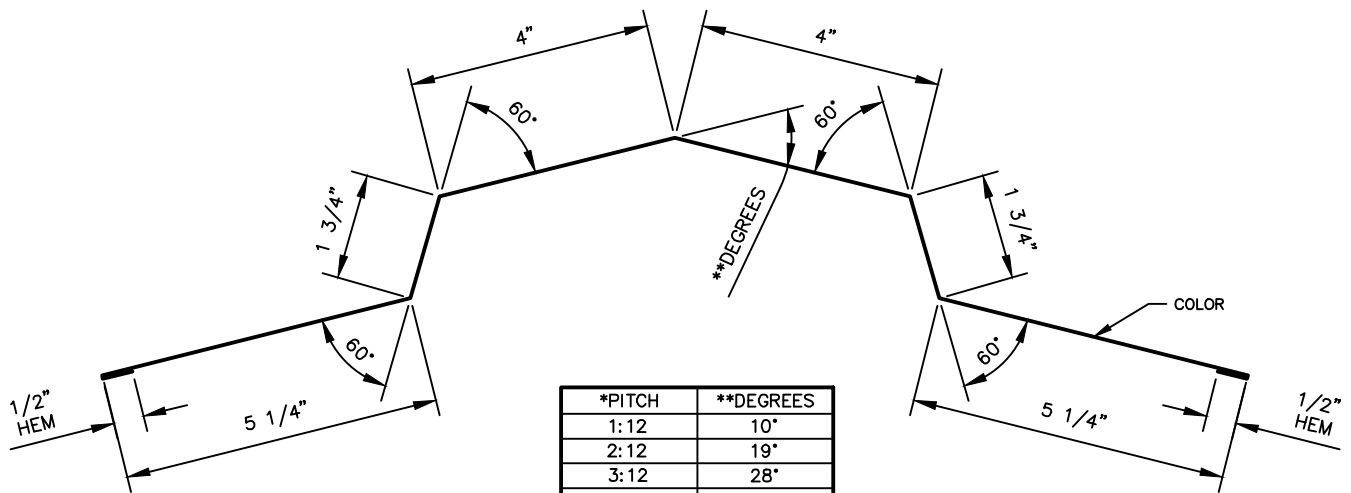
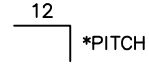
GIRTH: 12 5/8"
BENDS: 90° AND AS SPECIFIED



.063 ALUMINUM VENTED EAVE/RIDGE TRIM

PANEL PROFILES	GAUGE
138T ASV	0.063 ALUMINUM

GIRTH: 5 5/16"
BENDS: AS SPECIFIED



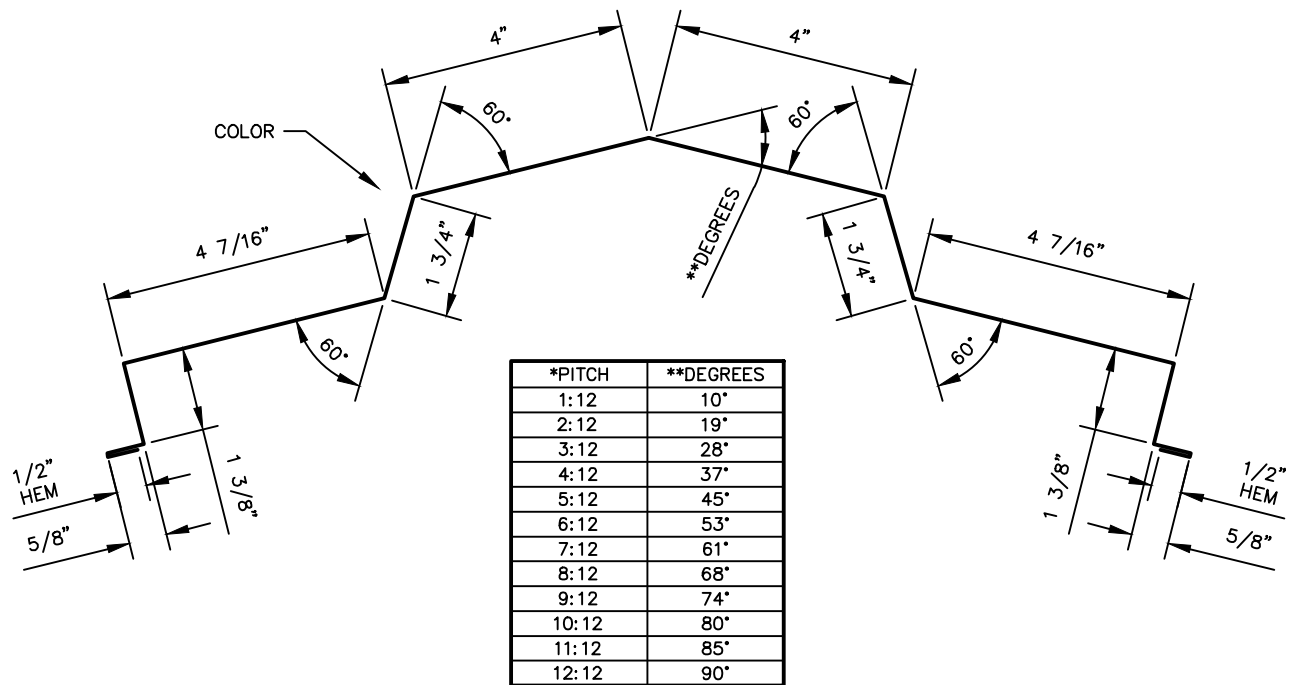
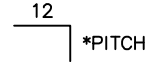
*PITCH	**DEGREES
1:12	10°
2:12	19°
3:12	28°
4:12	37°
5:12	45°
6:12	53°
7:12	61°
8:12	68°
9:12	74°
10:12	80°
11:12	85°
12:12	90°

FLOATING RIDGE TRIM

PANEL PROFILES	GAUGE
138T	24
238T	24
MAXIMA 2"	24
MAXIMA 2" ADV	24
MAXIMA 2" ADV w/o SHOULDERS	24
TRAP-TEE	24

9-1-23 rev.
1-19-17

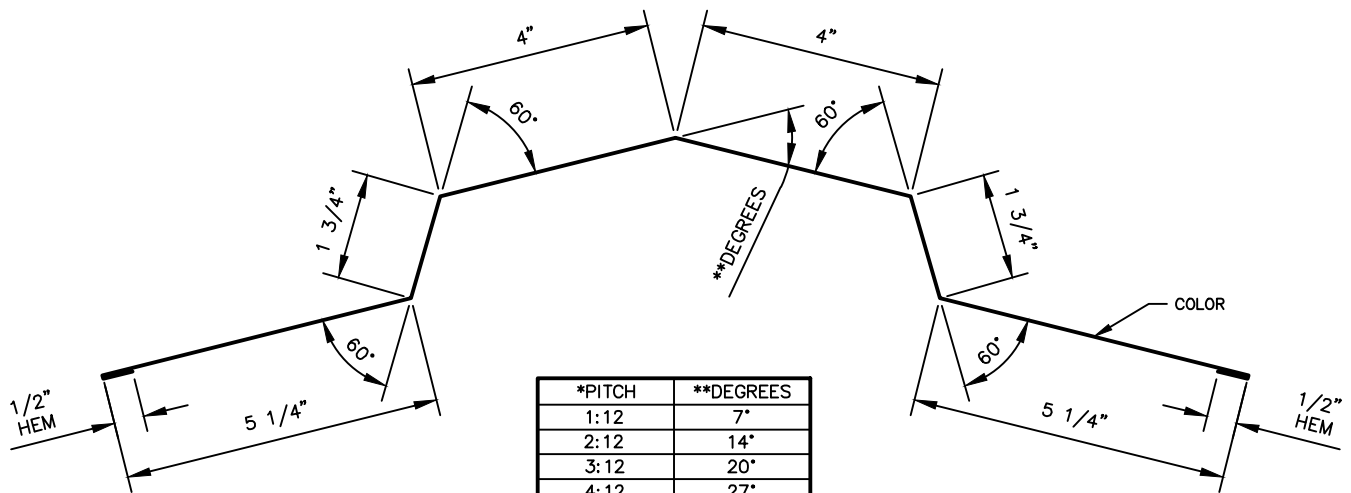
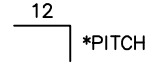
GIRTH: 23"
BENDS: AS SPECIFIED



FLOATING RIDGE TRIM for VENTED

PANEL PROFILES	GAUGE
138T	24
238T	24
MAXIMA 2"	24
MAXIMA 2" ADV	24
MAXIMA 2" ADV w/o SHOULDERS	24

GIRTH: 25 3/8"
 BENDS: 90° AND AS SPECIFIED

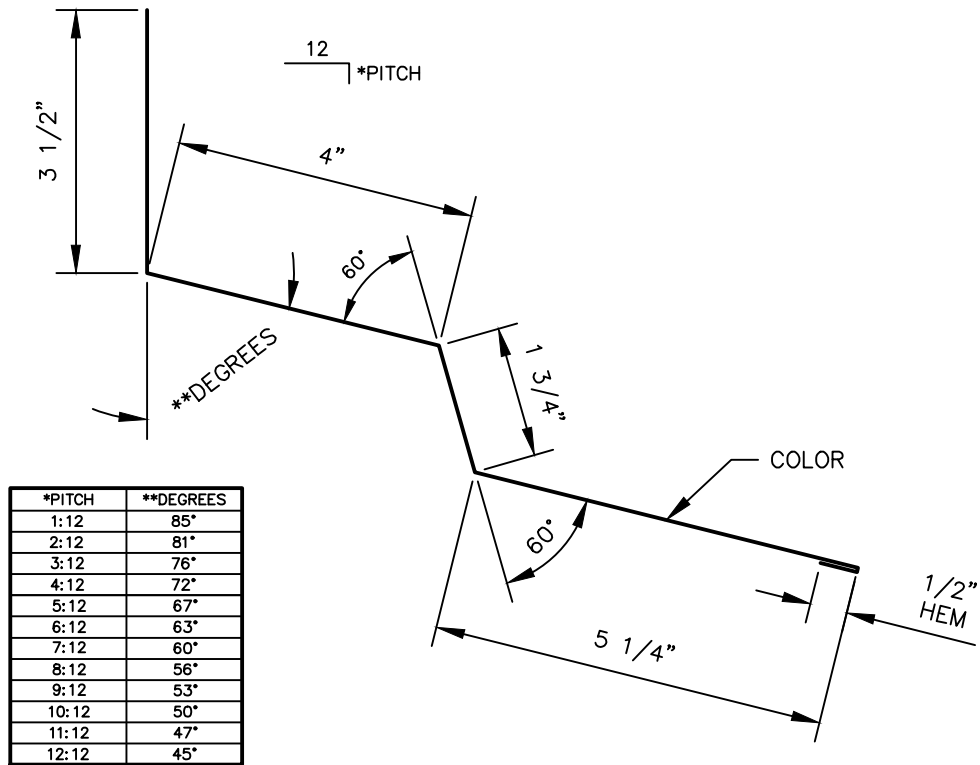


*PITCH	**DEGREES
1:12	7°
2:12	14°
3:12	20°
4:12	27°
5:12	33°
6:12	39°
7:12	45°
8:12	51°
9:12	57°
10:12	63°
11:12	69°
12:12	75°

FLOATING HIP TRIM

PANEL PROFILES	GAUGE
138T	24
238T	24
MAXIMA 2"	24
MAXIMA 2" ADV	24
MAXIMA 2" ADV w/o SHOULDERS	24

GIRTH: 23"
BENDS: AS SPECIFIED



FLOATING HEADWALL TRIM

PANEL PROFILES	GAUGE
138T	24
238T	24
MAXIMA 2"	24
MAXIMA 2" ADV	24
MAXIMA 2" ADV w/o SHOULDERS	24
TRAP-TEE	24