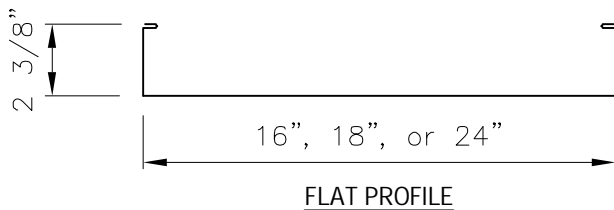
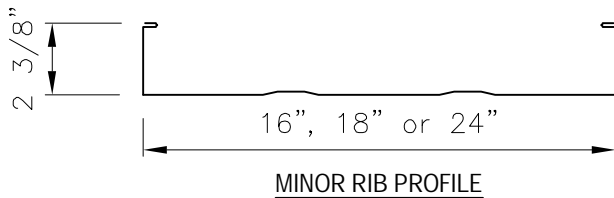
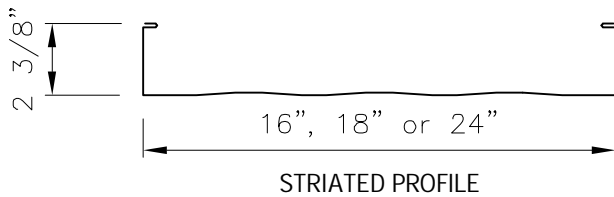
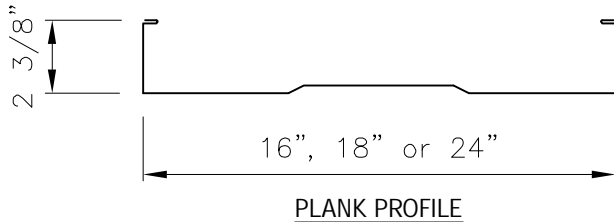
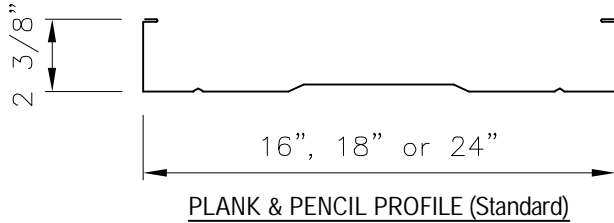


## 238T Symmetrical Panel

## Product Data



### Applications

Symmetrical roof/wall panel used on slopes down to 1/4:12. Continuous length up to 200'. Tapered panels and convex curving available - 24ft radius minimum.

### Substrates

Bar Joist, Open Purlin, Plywood, Metal Deck, Re-Roof over existing Modified, Built-up, Single-ply or Metal.

### Material

Standard - 24 GA. ASTM A792 (50 ksi)  
 Optional - 22 GA. ASTM A792 (50 ksi)  
 .032 and .040 Aluminum ASTM B209 3003  
 and 20 oz. Copper ASTM B370

### Manufacturing

Roll formed in factory or at jobsite. Curved at jobsite. (24" panels formed on-site only)

### Finishes

Acrylic Coated Galvalume®  
 Fluoropolymer (Kynar 500® PVDF resin-based)

### Pan Conditions

Plank & Pencil Rib, Plank, Striated, Minor Ribs and Flat (Oil canning is inherent in all metal panels and is not cause for panel rejection. A signed oil canning acknowledgement will be required for all orders prior to production.)

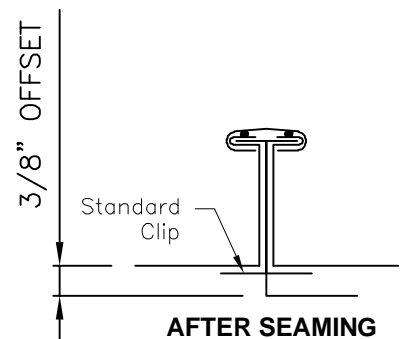
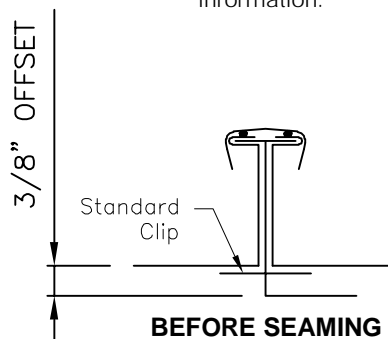
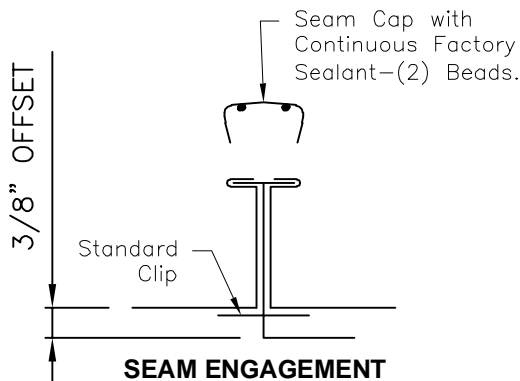
### Testing/Agency Approvals \*

Uplift: FM 4471 Class 1-75, Class 1-195  
 UL 580 Class 90  
 ASTM E1592  
 Static Water: FM 4471 Appendix G, ASTM E2140  
 Air & Water Infiltration: ASTM E1680, ASTM E1646  
 Impact Resistance: UL Class 4, FM Class 1-SH  
 Fire Rating: UL Class A  
 Texas Windstorm: RC-270  
 Florida Building Code: 16606.1, 16606.2, 16606.3  
 Miami Dade: NOA# 15-1216.03

\*Testing and Approvals are product specific. Please inquire for details.\*

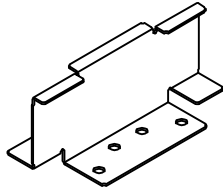
### NOTE:

All data represented on this sheet may not be applicable to all widths and gauges. Please contact McElroy Metal for more information.



## 238T Symmetrical Panel (Continued)

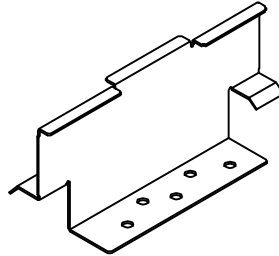
## Product Data



### STANDARD CLIP

16 GA.

Standard: Galvanized G90 - ASTM A653 (50 ksi)  
Optional: Stainless 304SS - ASTM A240 (50 ksi)



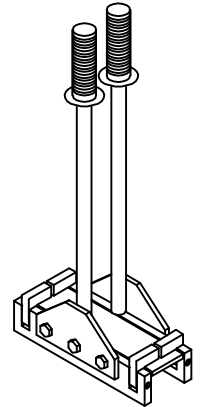
### RETROFIT CLIP

16 GA.

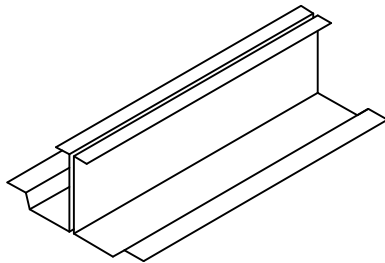
Standard: Galvanized G90 - ASTM A653 (50 ksi)  
Optional: Stainless 304SS - ASTM A240 (50 ksi)



### MECHANICAL SEAMER



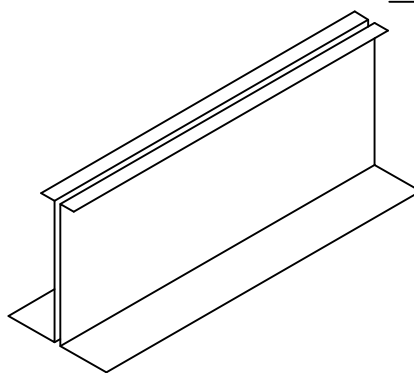
### HAND SEAMER



### MULTI-SPAN CLIP

2-Piece

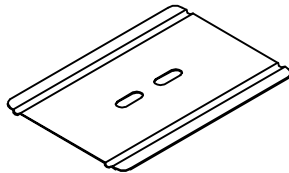
Standard: 24 GA. - ASTM A792 (50 ksi)  
Optional: 22 GA. - ASTM A792 (50 ksi)  
\*Typically sold in 10' lengths\*



### TALL MULTI-SPAN CLIP

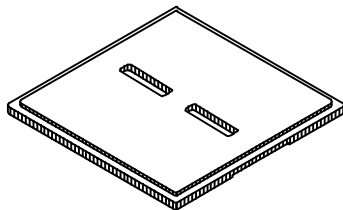
2-Piece

Standard: 24 GA. - ASTM A792 (50 ksi)  
Optional: 22 GA. - ASTM A792 (50 ksi)  
\*Typically sold in 10' lengths\*



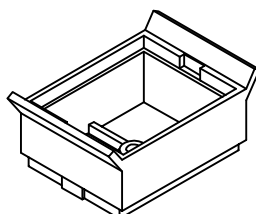
### BEARING PLATE

24 GA. - ASTM A792 (50ksi)



### STACKABLE LEVELING SHIM

6" x 6" x 1/4" Thick

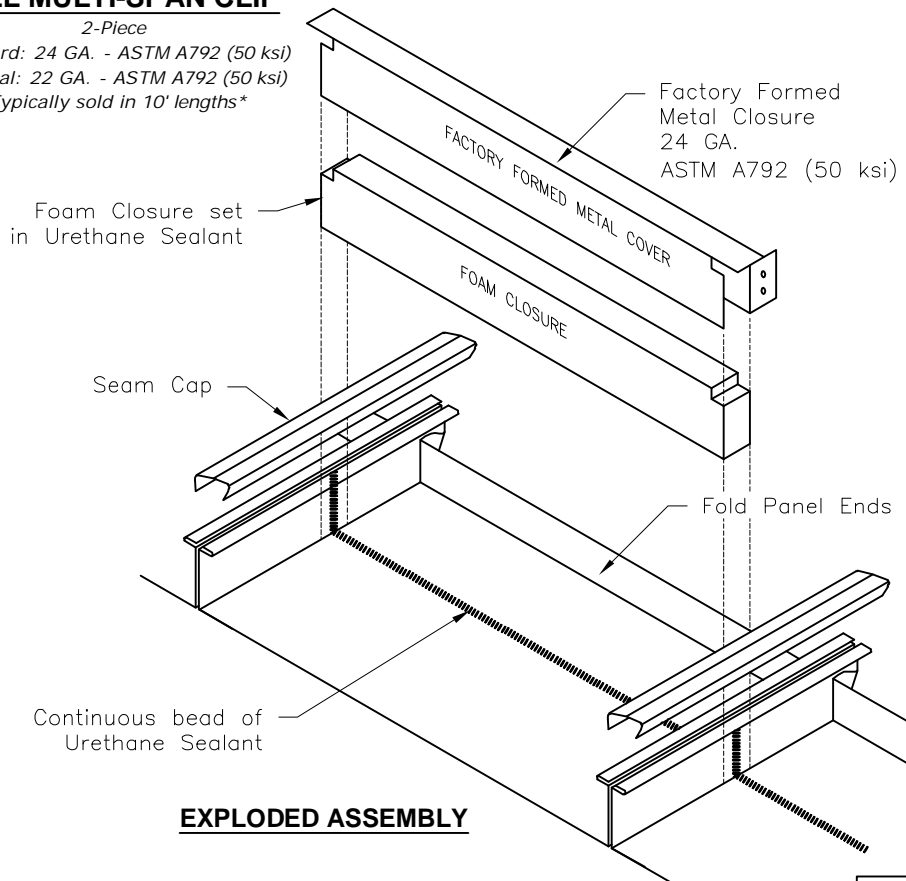


### 1 3/8" PEDESTAL

\*For use with Mult-Span Clip Only\*  
20% Glass-Filled Polycarbonate Black

### NOTE:

All data represented on this sheet may not be applicable to all widths and gauges. Please contact McElroy Metal for more information.



### EXPLODED ASSEMBLY