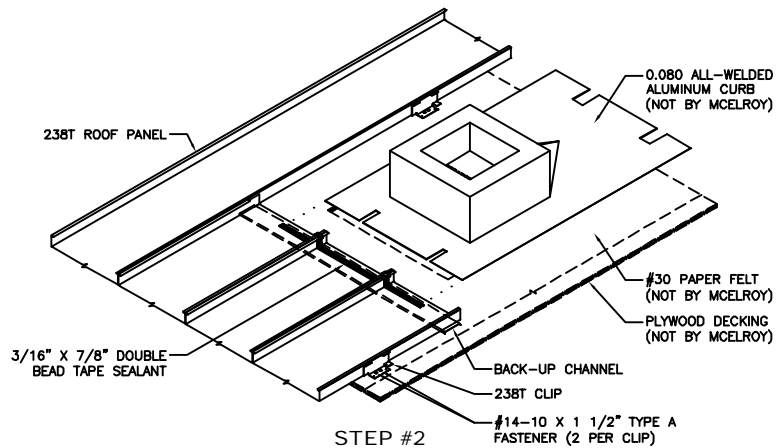
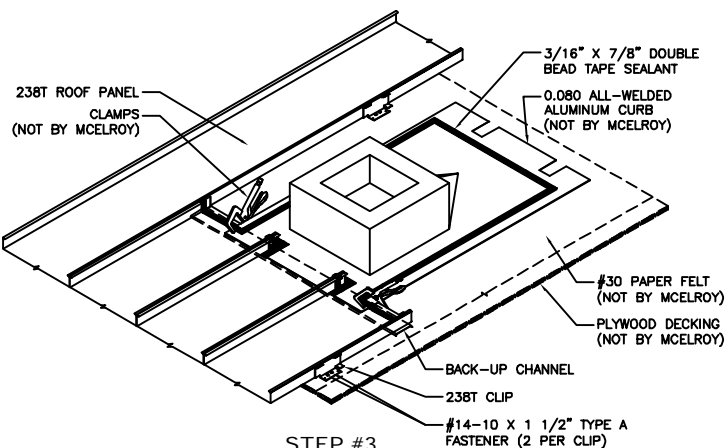


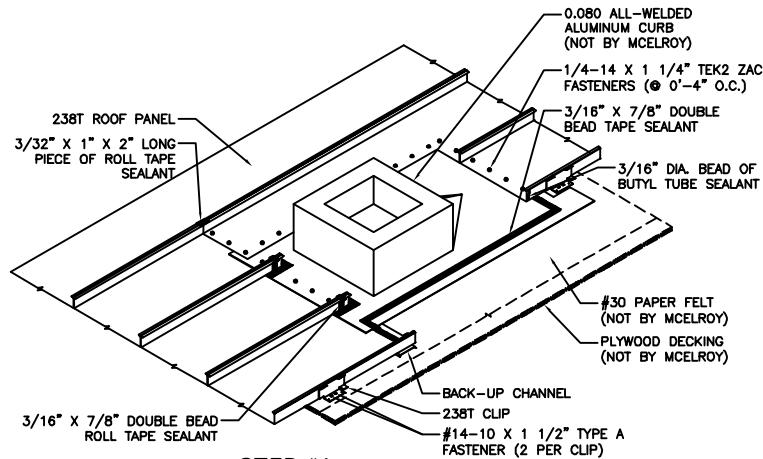
STEP #1



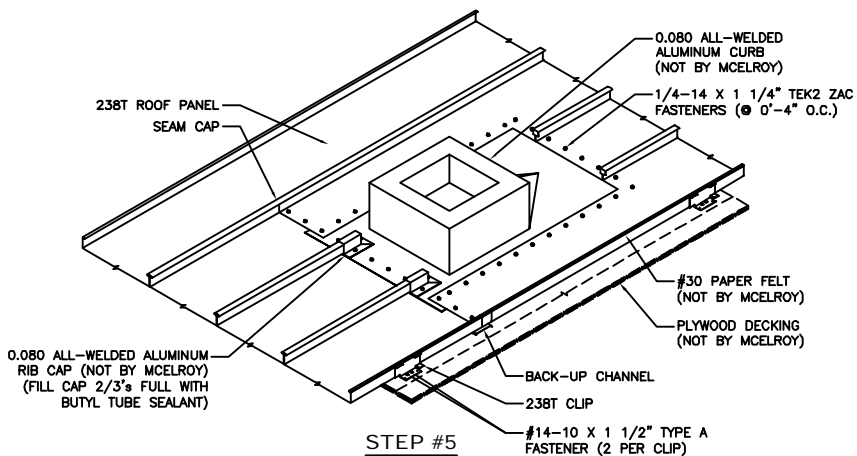
STEP #2



STEP #3



STEP #4



STEP #5

ROOF CURB DETAILS



ROOF PANEL: 238T

SUBSTRATE: PLYWOOD

ISSUE/REVISION DATE:

06/24/2020

SCALE: N.T.S.