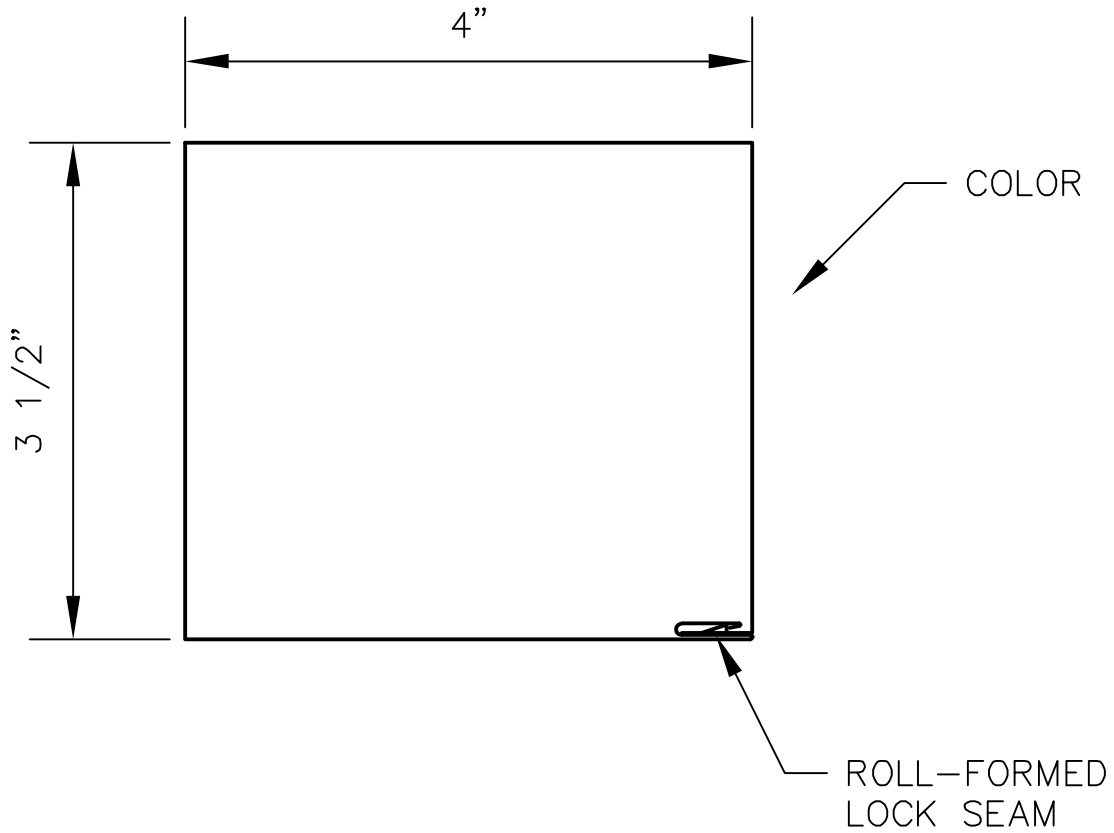


LOCK-SEAM DOWNSPOUT INDEX

<u>DWG #:</u>	<u>DESCRIPTION:</u>	<u>IMAGE #:</u>
LDS-0001	Corner Seam	398
LDS-0002	Center Seam	399
LDS-0003	Downspout Strap	124
LDS-0004	Downspout w/ Kickout	127
LDS-0005	Downspout Kickout (Finished)	167A]
LDS-0006	Downspout Kickout (Pattern)	167B] 167
LDS-0007	Downspout Outlet (Finished)	129A]
LDS-0008	Downspout Outlet (Pattern)	129B] 129
LDS-0009	Downspout w/o Kickout (Adelanto Only)	126



LOCK SEAM DOWNSPOUT - CORNER

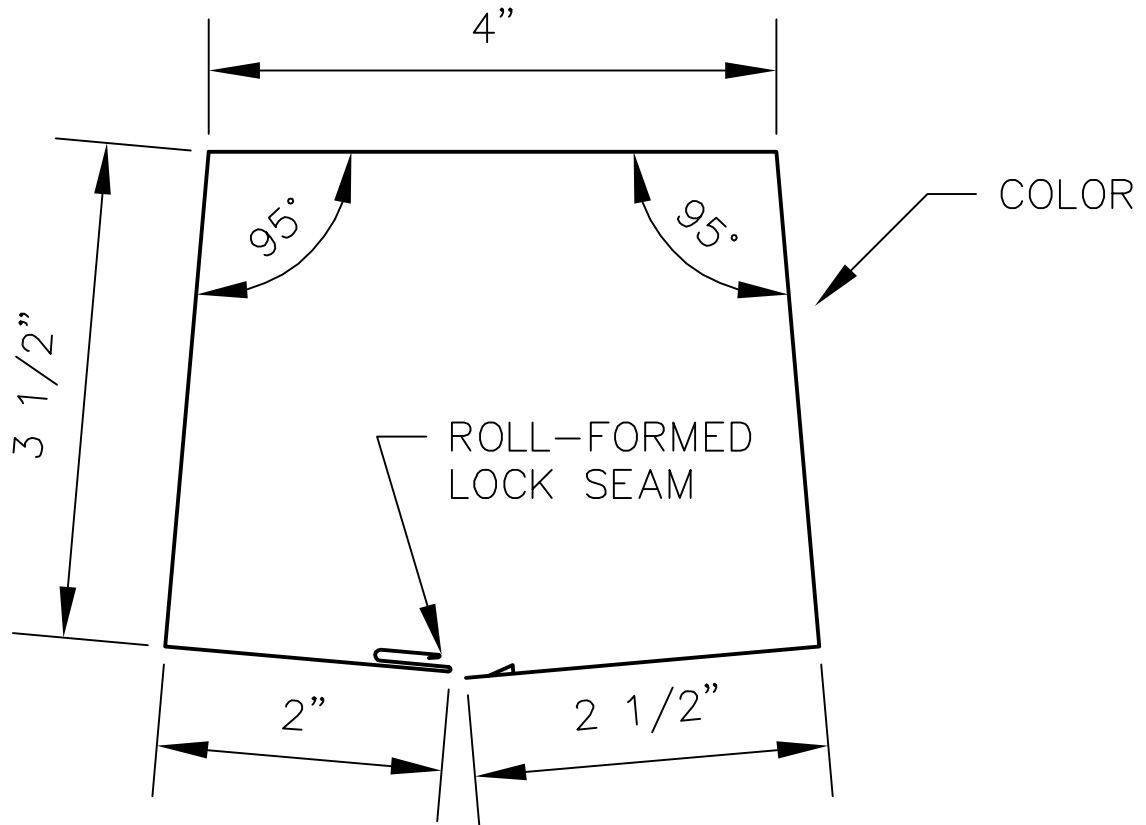
(LEFT OR RIGHT HAND CORNER NEED TO BE SPECIFIED)
 (RIGHT HAND CORNER SHOWN)

PANEL PROFILES	GAUGE
ALL PANELS	24 or 26

PRODUCTION PLANT	GIRTHS
ASHBURN	17"
BOSSIER	16 5/8"
CLINTON	17"
HOUSTON	16 5/8"
MERKEL	16 3/4"
PEACHTREE	17"
SUNNYVALE	16 1/2"

2-22-16 rev.
 7-07-15 rev.
 8-22-14 rev.
 4-04-13

GIRTH: SEE CHART
 BENDS: 90° UNLESS SPECIFIED



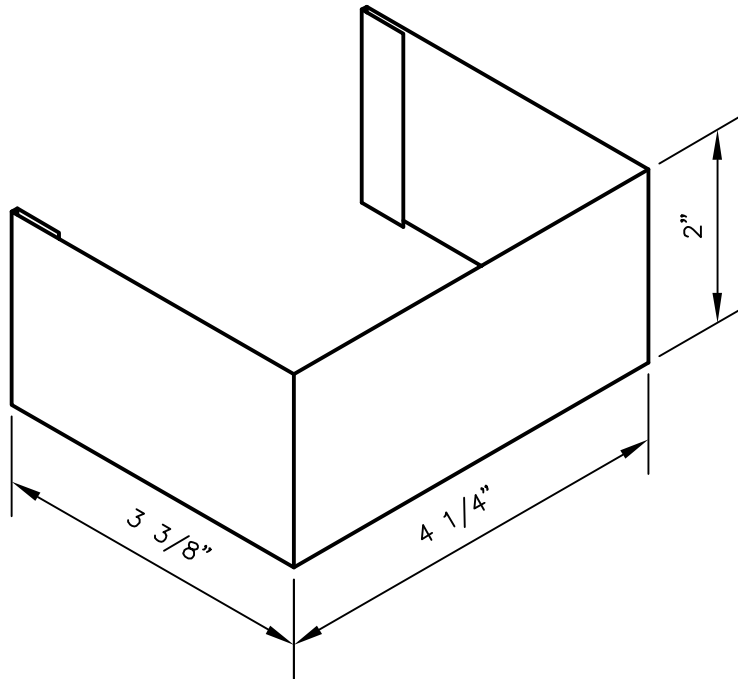
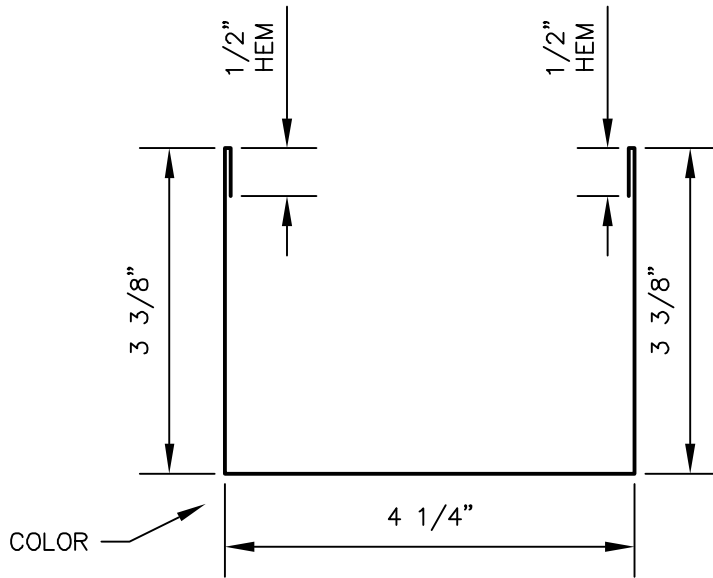
LOCK SEAM DOWNSPOUT - CENTER

PANEL PROFILES	GAUGE
ALL PANELS	24 or 26

PRODUCTION PLANT - GIRTHS	
ADELANTO	16 1/2"
CLINTON	16 5/8"
PEACHTREE	17"

11-05-14 rev.
 9-08-14 rev.
 11-21-13 rev.
 4-04-13

GIRTH: SEE CHART
 BENDS: 90° UNLESS SPECIFIED

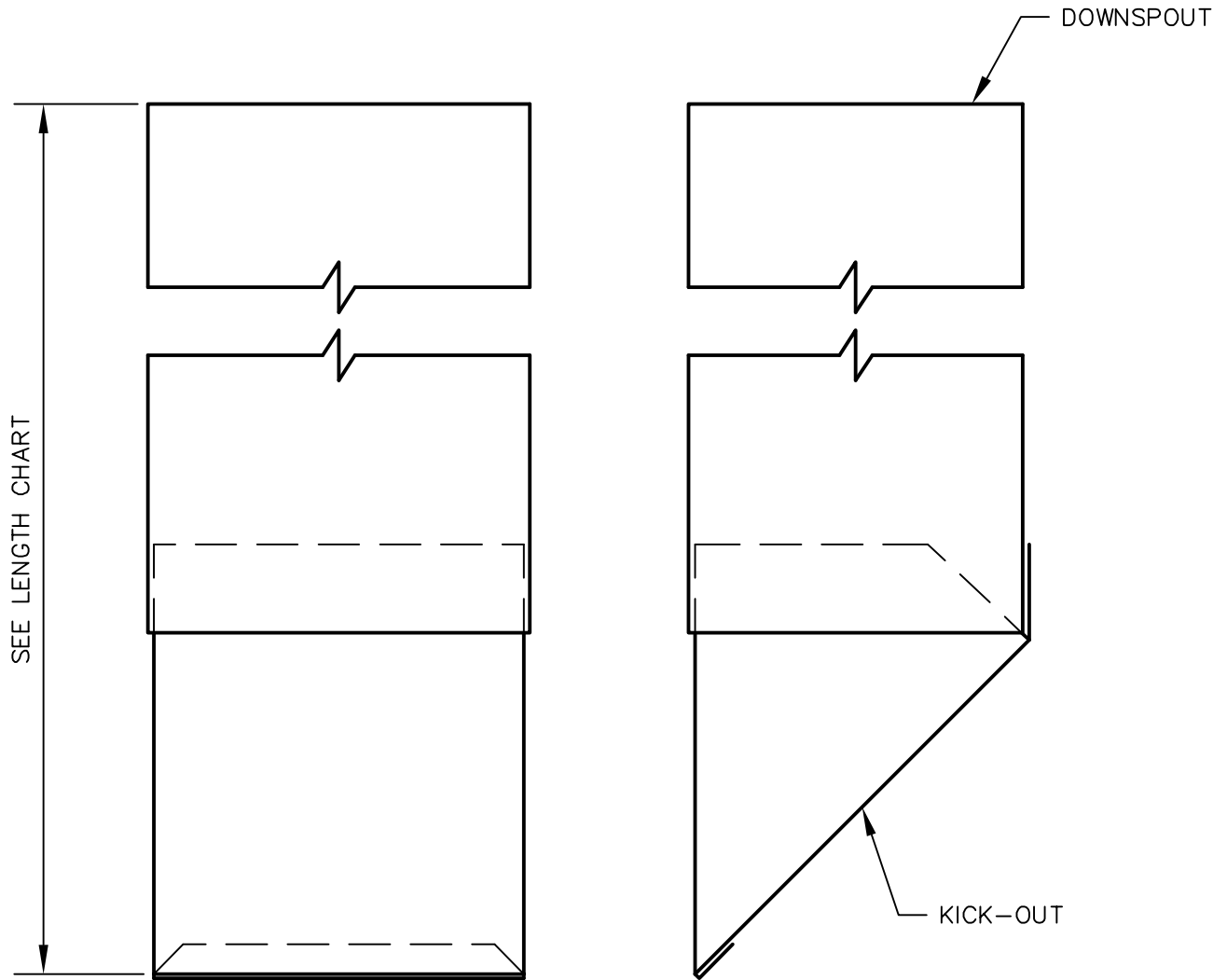


DOWNSPOUT STRAP

PANEL PROFILES	GAUGE
ALL PANELS	26

2-14-14 rev.
 8-22-13 rev.
 1-9-13 rev.
 9-23-11

GIRTH: 12" X 2"
 BENDS: 90° AND AS NOTED



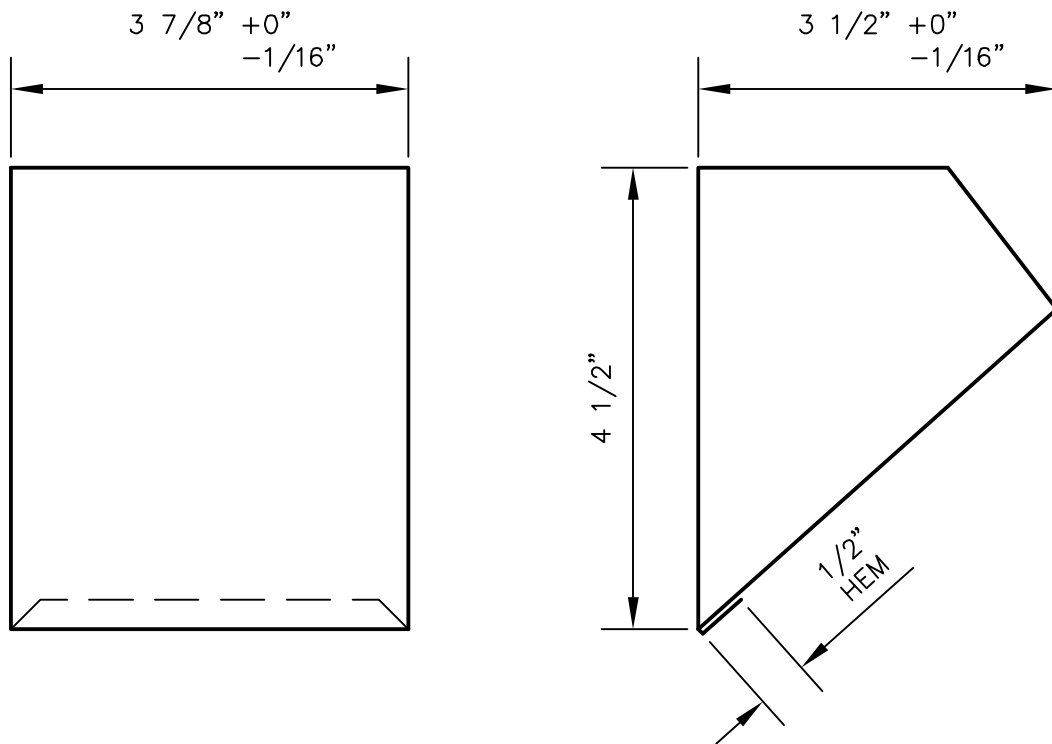
OVERALL LENGTH
10'-6 1/4"
14'-6 1/4"
20'-6 1/4"

DOWNSPOUT w/ KICKOUT

PANEL PROFILES	GAUGE
ALL PANELS	24 or 26

2-14-14 rev.
 8-22-13 rev.
 9-23-11 rev.
 9-04-96

GIRTH: SEE DWG'S AND PATTERN'S
 BENDS: SEE DWG'S AND PATTERN'S

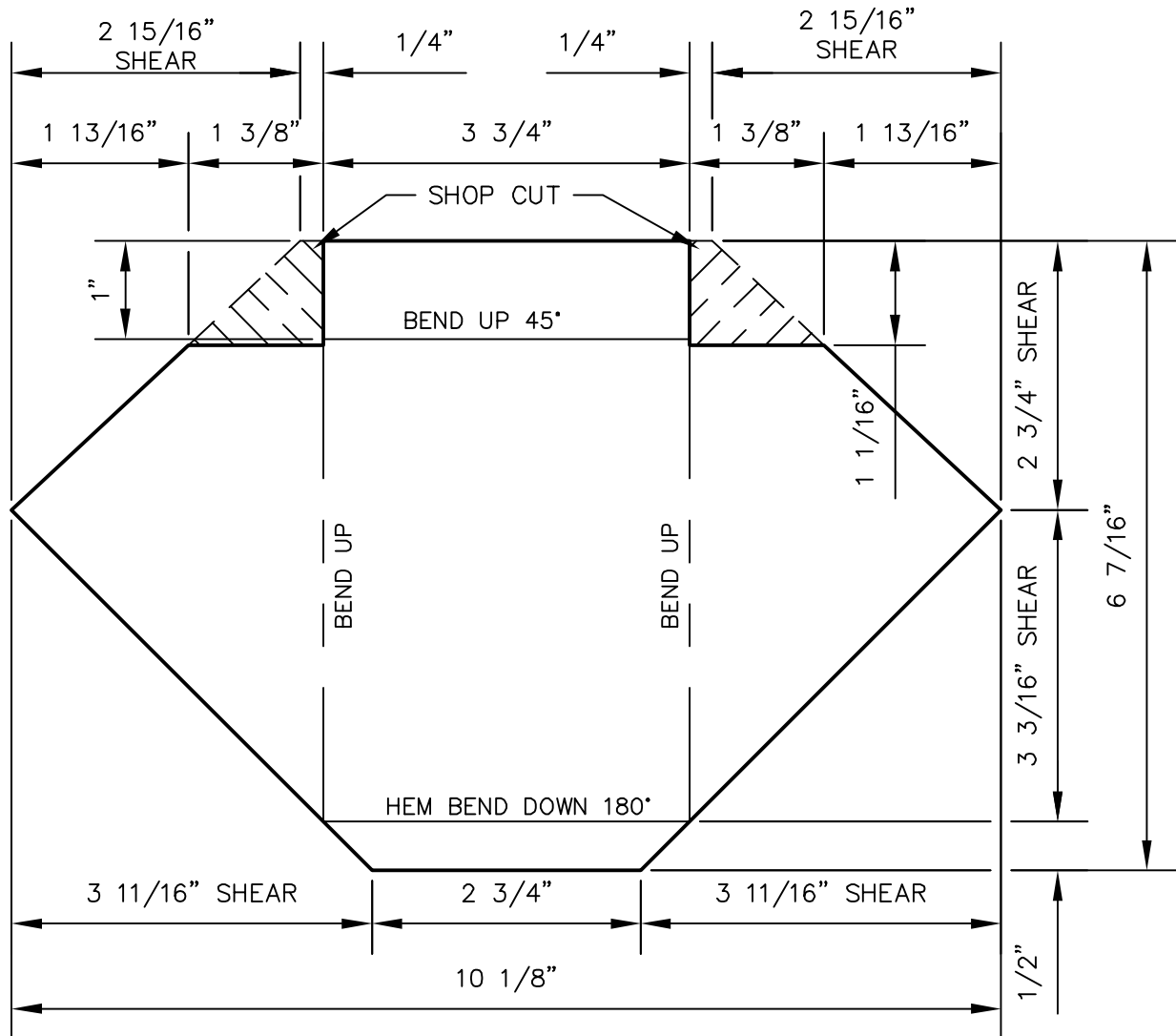


DOWNSPOUT KICK OUT - STANDARD

PANEL PROFILES	GAUGE
ALL PANELS	26

2-14-14 rev.
 6-17-13 rev.
 9-23-07 rev.
 9-16-96

GIRTH: SEE PATTERN LSD-0006
 BENDS: SEE PATTERN LSD-0006



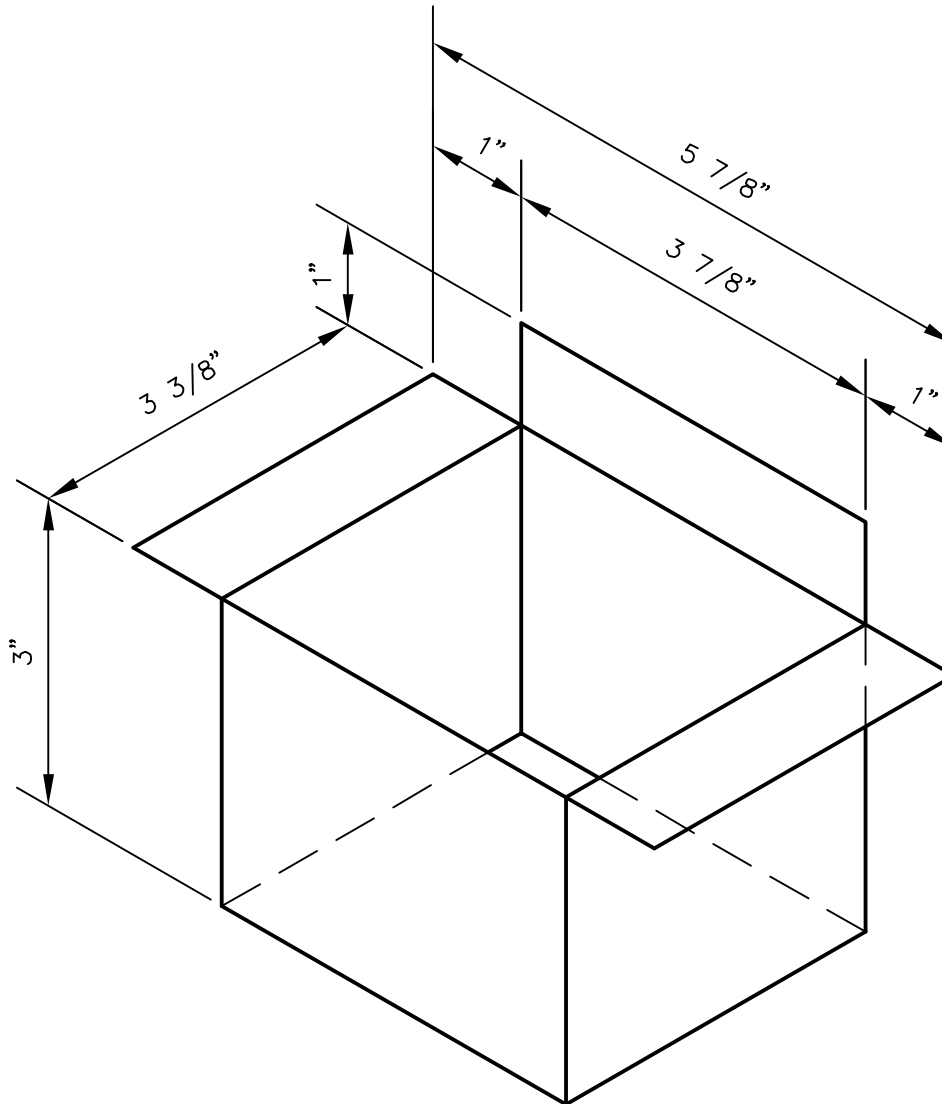
DOWNSPOUT KICK OUT - STANDARD

(MACHINE SHEAR AND SHOP CUT)

PANEL PROFILES	GAUGE
ALL PANELS	24 or 26

2-14-14 rev.
 8-26-13 rev.
 10-13-11 rev.
 9-03-96

GIRTH: 6 7/8" X 10 1/8"
 BENDS: UP 90° AND AS SPECIFIED

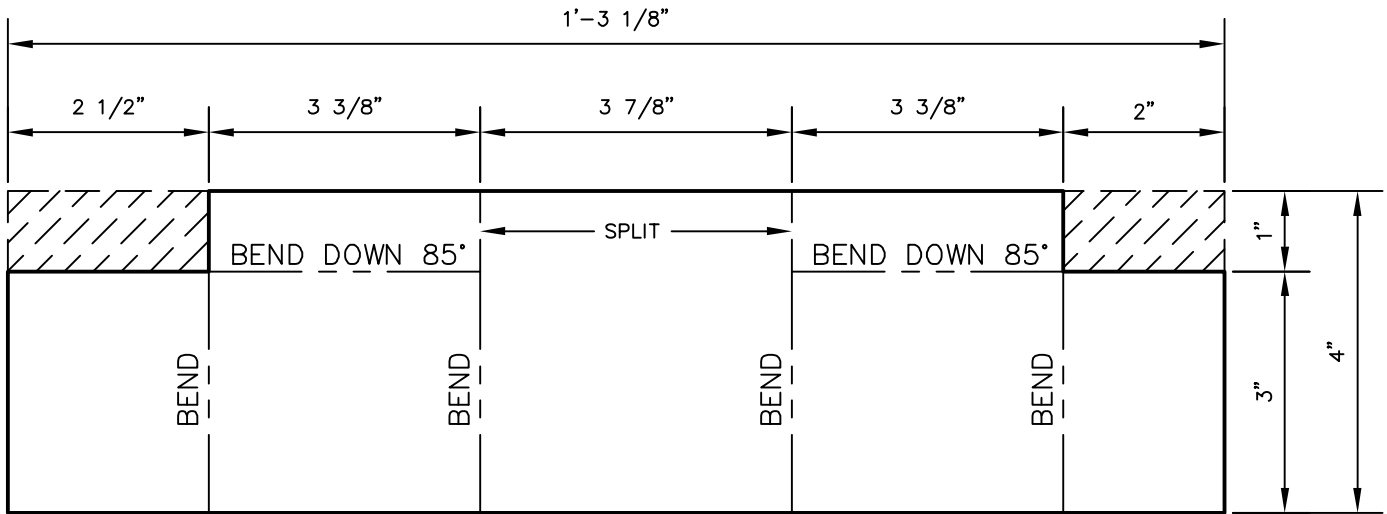


DOWNSPOUT OUTLET - STANDARD DOWNSPOUT

PANEL PROFILES	GAUGE
ALL PANELS	24 or 26

2-14-14 rev.
8-22-13 rev.
9-23-07 rev.
9-16-96

GIRTH: SEE PATTERN LSD-0008
BENDS: SEE PATTERN LSD-0008



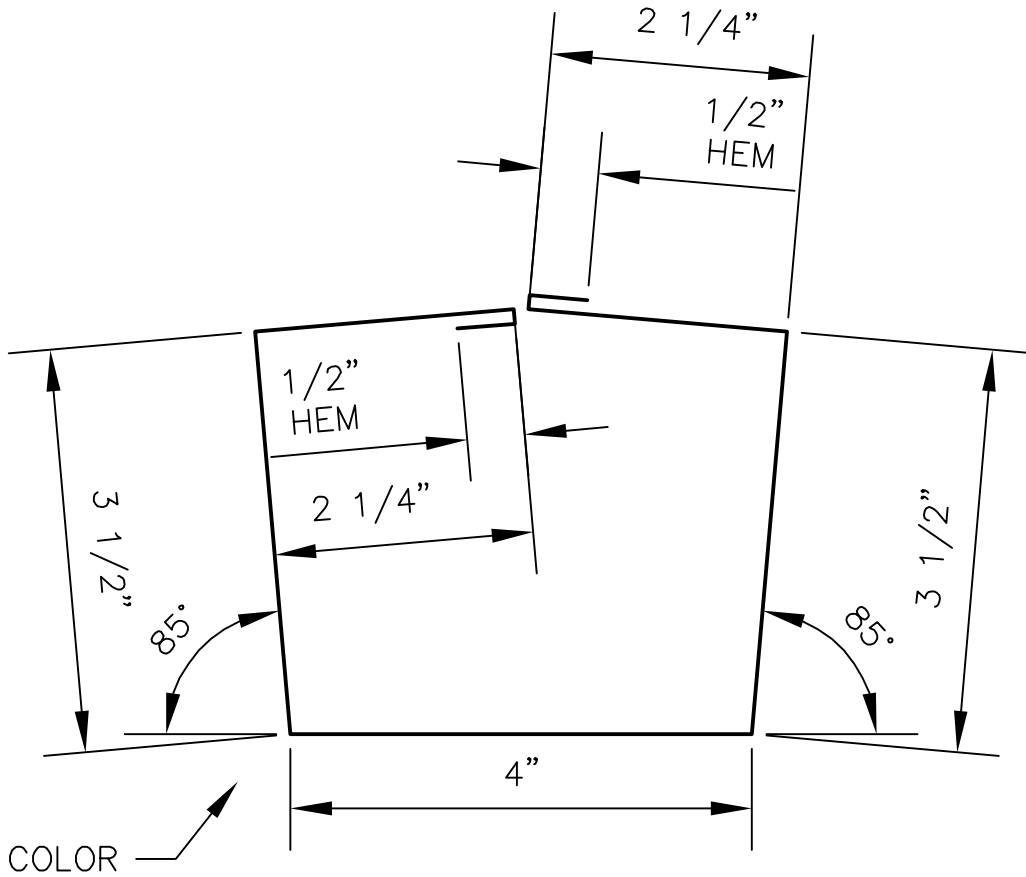
DOWNSPOUT OUTLET - PATTERN

REF. IMAGE NUMBER 129 (FINISHED DETAIL)

PANEL PROFILES	GAUGE
ALL PANELS	24 or 26

2-14-14 rev.
 8-22-13 rev.
 9-23-07 rev.
 9-16-96

GIRTH: 4" X 1'-3 1/8"
 BENDS: UP 90° AND AS SPECIFIED



DOWNSPOUT W/O KICK-OUT

(ADELANTO PLANT ONLY)

PANEL PROFILES	GAUGE
ALL PANELS	26

ADELANTO PLANT ONLY OVERALL LENGTH
9'-11 1/2"
13'-11 1/2"
19'-11 1/2"

2-14-14 rev.
 9-12-13 rev.
 10-11-11 rev.
 1-15-02

GIRTH: 16 1/2"
 BENDS: 90° AND AS NOTED