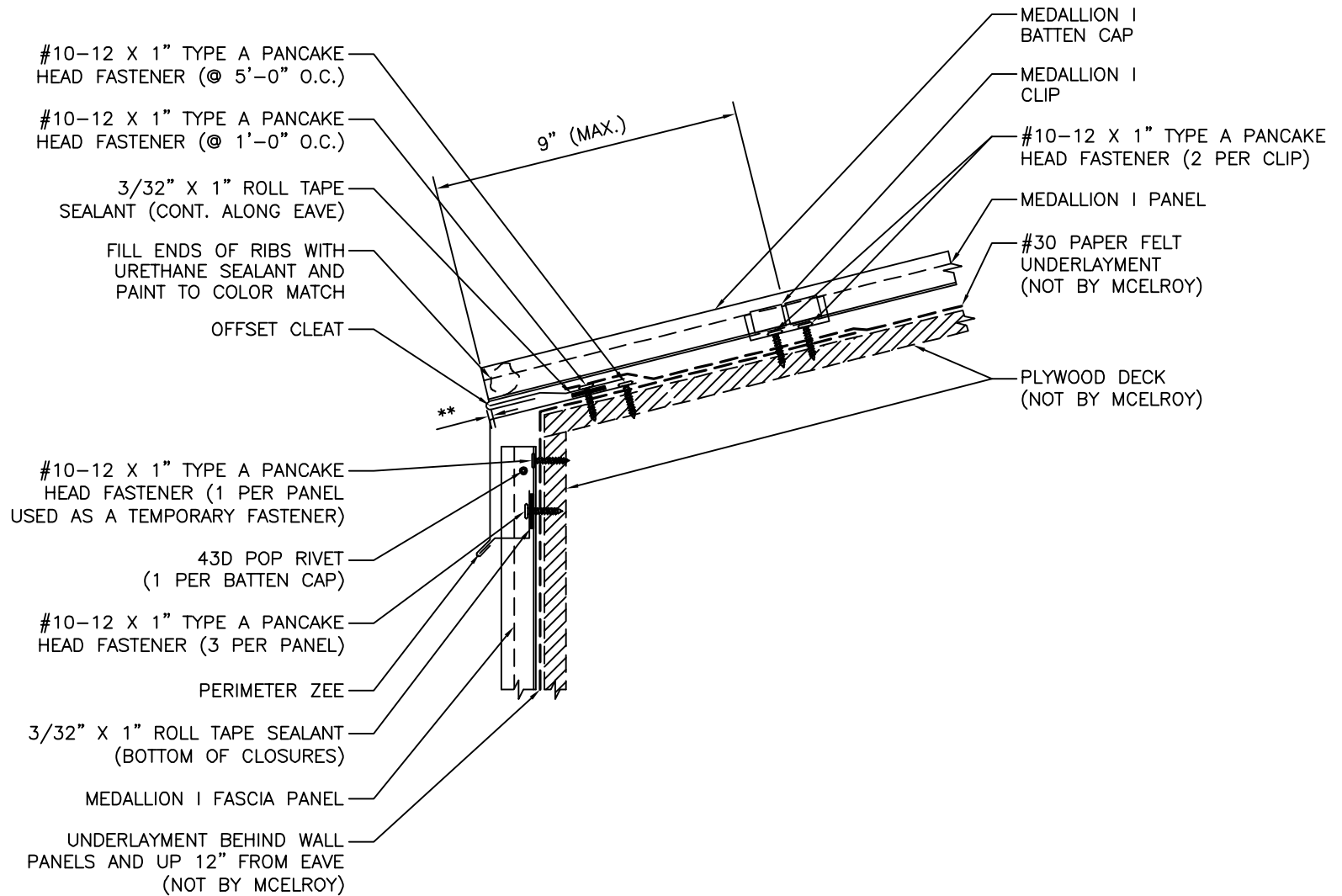


**\*\* CLEARANCE REQUIRED FOR THERMAL MOVEMENT**



## EAVE TO WALL PANEL DETAIL

ISSUE/REVISION DATE:

06/19/2020

ROOF PANEL: MEDALLION I

SUBSTRATE: PLYWOOD

SCALE: N.T.S.