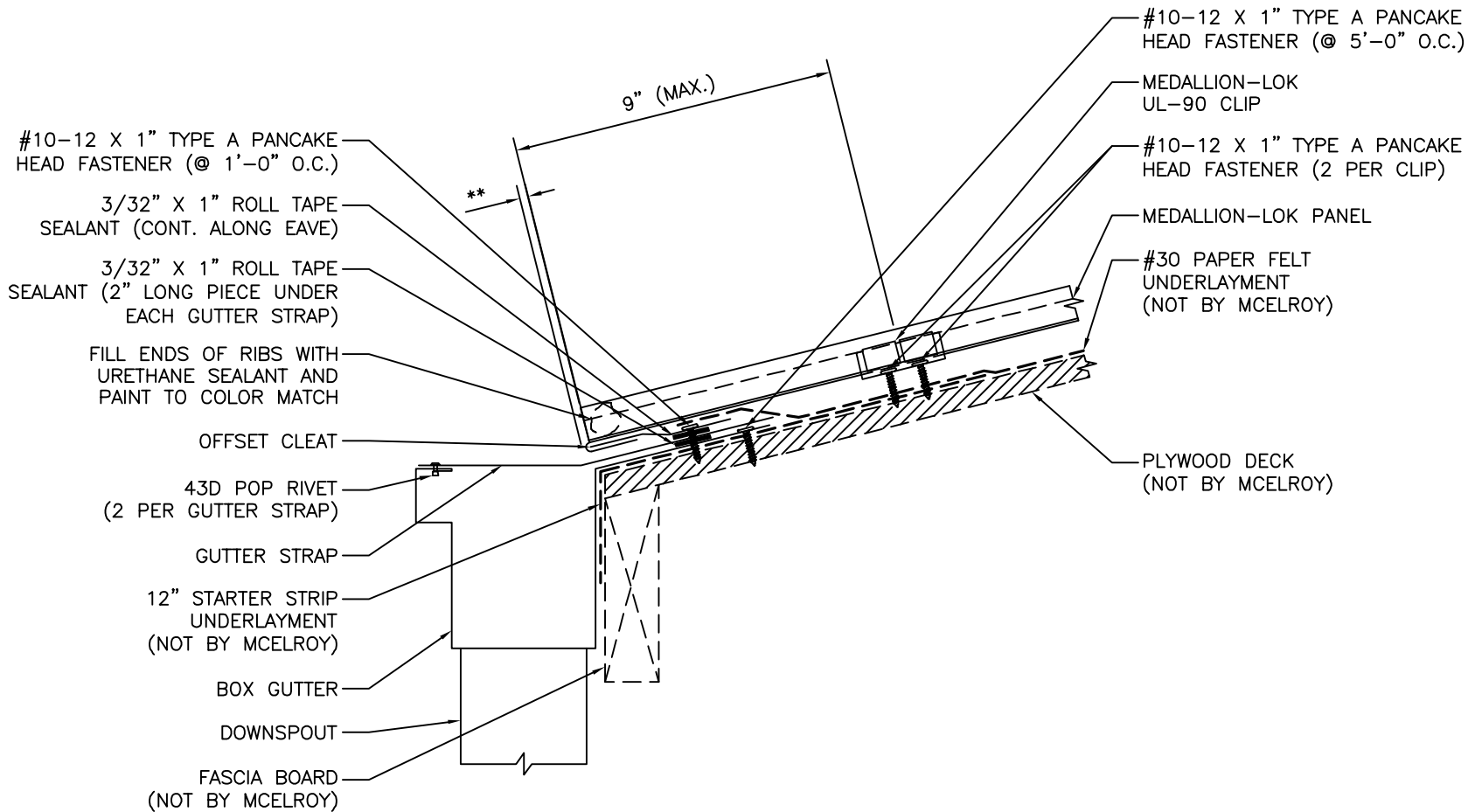


** CLEARANCE REQUIRED FOR THERMAL MOVEMENT



EAVE with GUTTER DETAIL

ISSUE/REVISION DATE:

06/19/2020

ROOF PANEL: MEDALLION I

SUBSTRATE: PLYWOOD

SCALE: N.T.S.