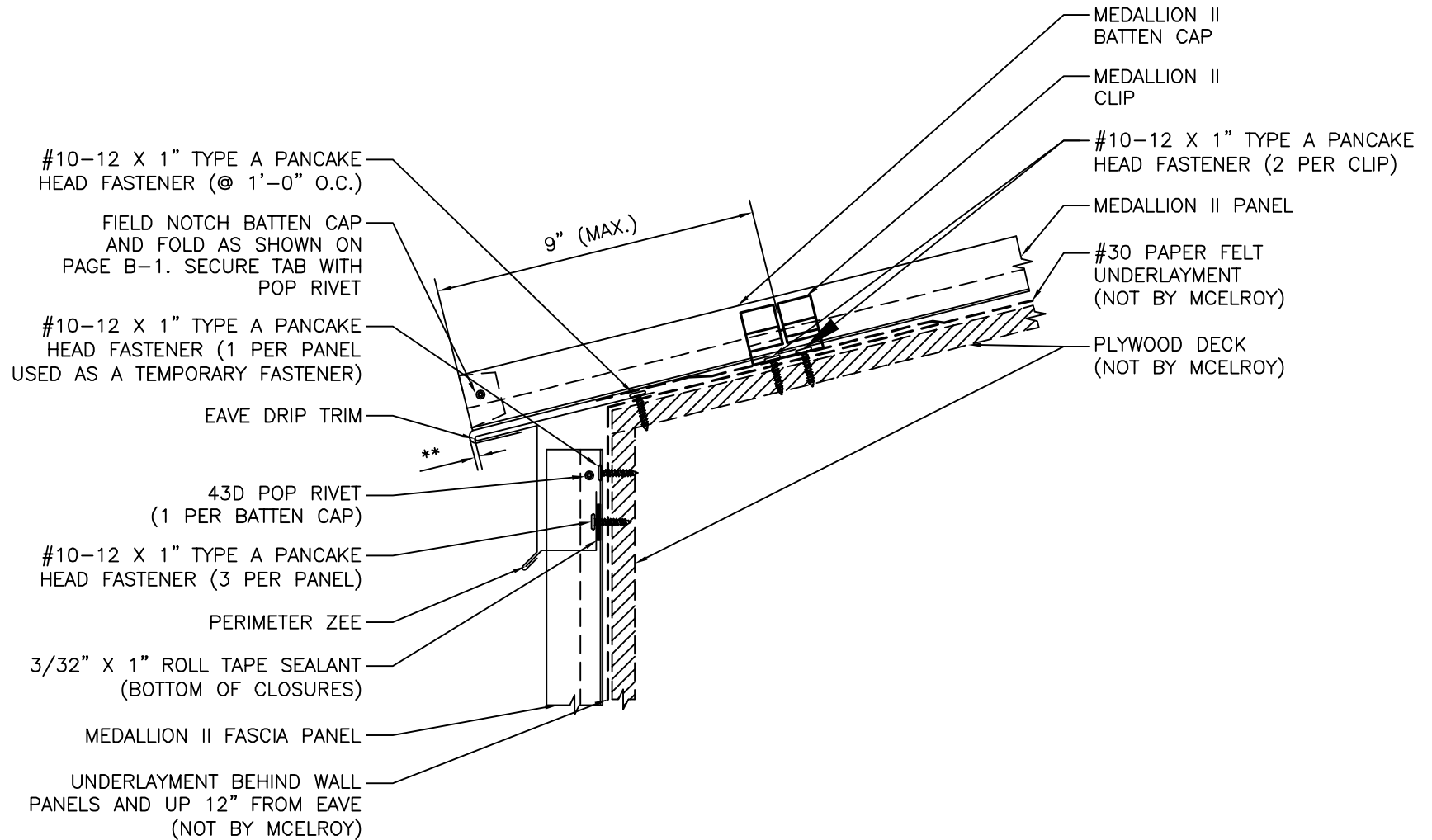


** CLEARANCE REQUIRED FOR THERMAL MOVEMENT



EAVE DRIP with FASCIA PANEL DETAIL

ISSUE/REVISION DATE:

06/18/2020

ROOF PANEL: MEDALLION II

SUBSTRATE: PLYWOOD

SCALE: N.T.S.