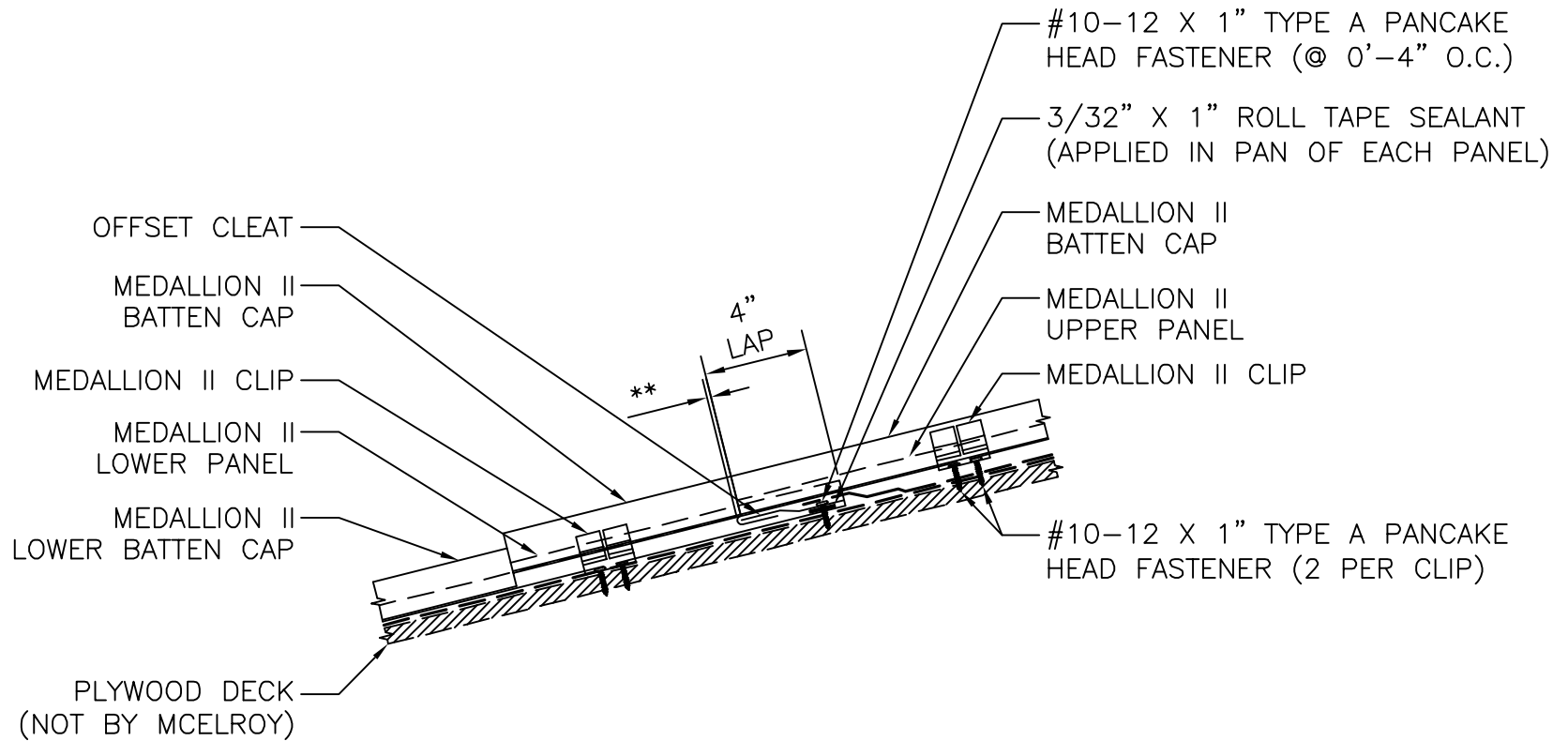


** CLEARANCE REQUIRED FOR THERMAL MOVEMENT



END LAP DETAIL

ISSUE/REVISION DATE:

06/18/2020

ROOF PANEL: MEDALLION II

SUBSTRATE: PLYWOOD

SCALE: N.T.S.