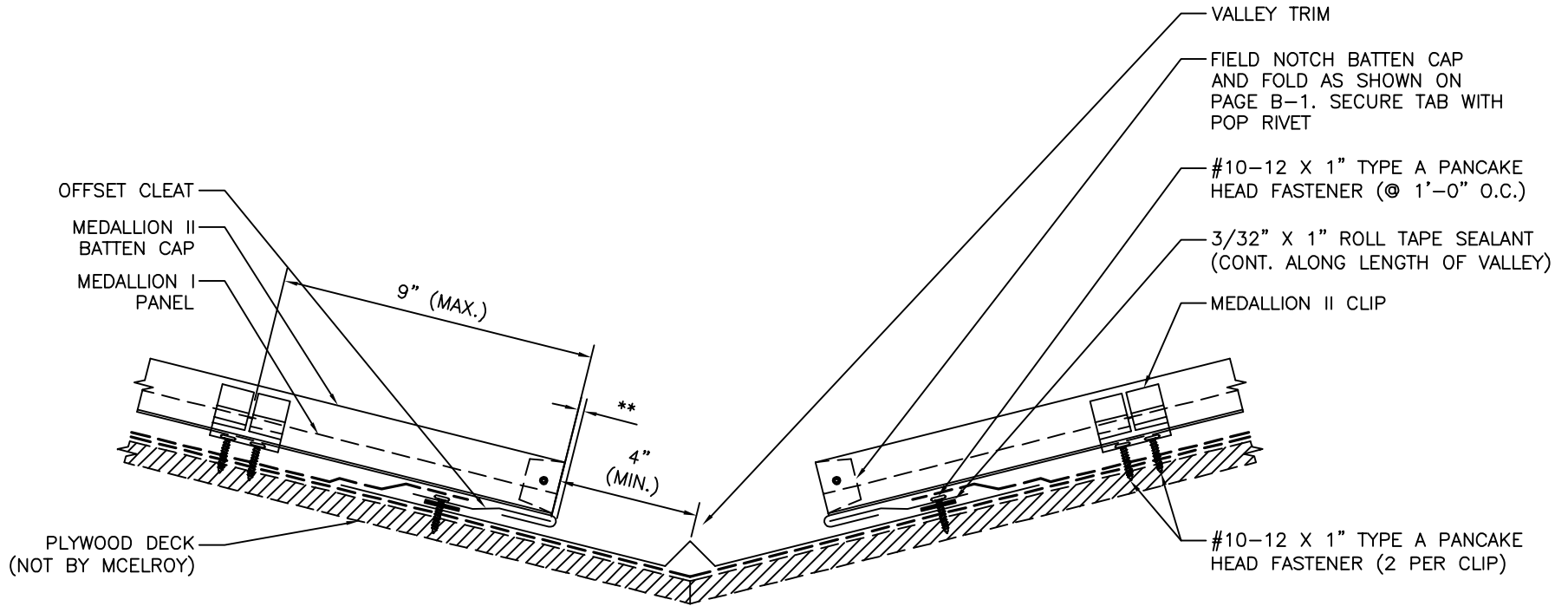


\*\* CLEARANCE REQUIRED FOR THERMAL MOVEMENT



## VALLEY DETAIL

ISSUE/REVISION DATE:

06/18/2020

ROOF PANEL: MEDALLION II

SUBSTRATE: PLYWOOD

SCALE: N.T.S.