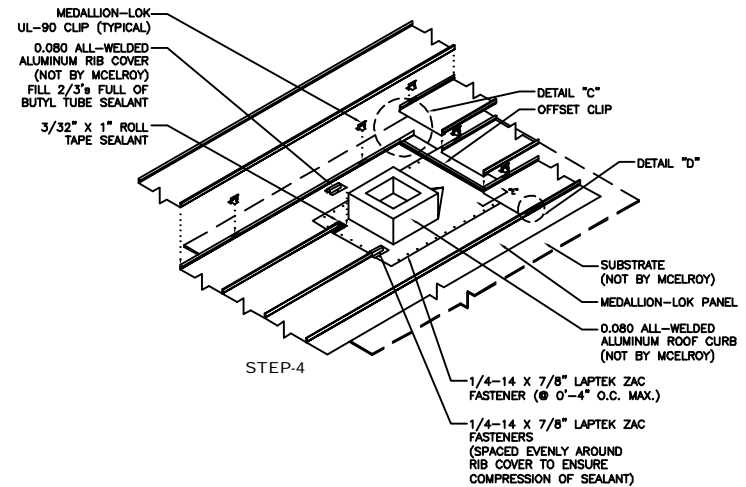
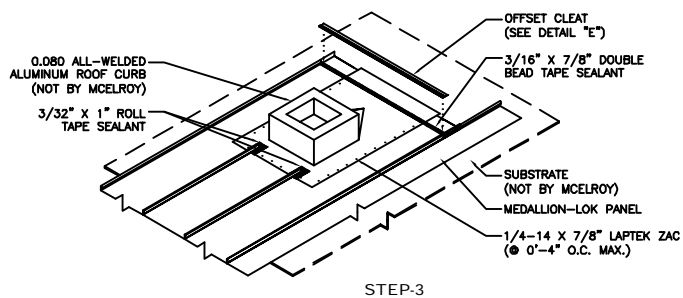
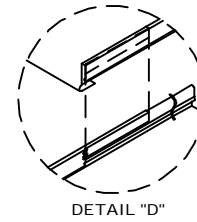
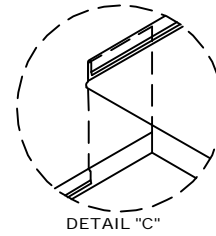
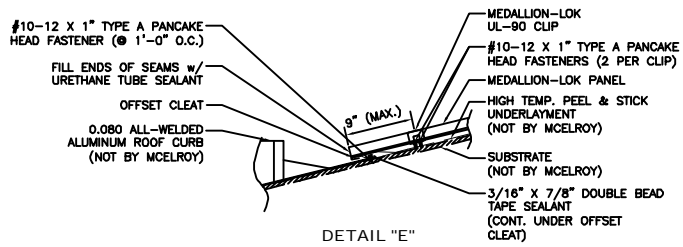


NOTE:  
FOR WEATHERTIGHTNESS WARRANTIES, AN ALL WELDED ALUMINUM OR STAINLESS STEEL ROOF CURB IS REQUIRED. PLEASE CONTACT MCELROY METAL FOR REQUIRED SPECIFICATIONS ON ROOF CURBS.



# CURB INSTALLATION DETAILS

ISSUE/REVISION DATE:

06/17/2020

ROOF PANEL: MEDALLION-LOK

SUBSTRATE: PLYWOOD

SCALE: N I T C