

1/4-14 X 7/8" LAP TEK ZAC FASTENER (@ 0'-6" O.C.)

3/32" X 1" ROLL TAPE SEALANT (CONT. ALONG TOP OF CLOSURES)

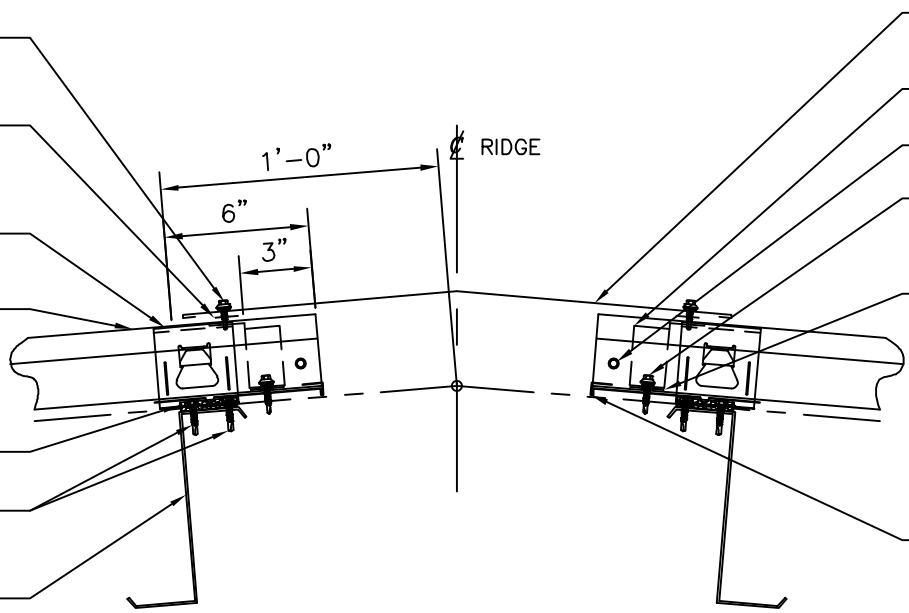
ML-90 LOW FIXED CLIP

ML-90 PANEL

THERMAL SPACER

1/4-14 X 1 1/4" HWH TEK2 FASTENERS (2 PER CLIP)

STRUCTURAL ROOF MEMBER



FIXED RIDGE TRIM

OUTSIDE CLOSURE

TEMPORARY FASTENER

1/4-14 X 1 1/4" TEK2 ZAC FASTENER (8 PER PANEL)

3/16" X 7/8" DOUBLE BEAD ROLL TAPE SEALANT (BOTTOM & SIDES OF CLOSURE)

BACK-UP PLATE

LOW FIXED RIDGE DETAIL

ISSUE/REVISION DATE:

06/12/2020



ROOF PANEL: MASTEDLOCK 00

SUBSTRATE: DIBDI IN

SCALE: N T C