

# TRAP-TEE

# PRODUCT INFORMATION

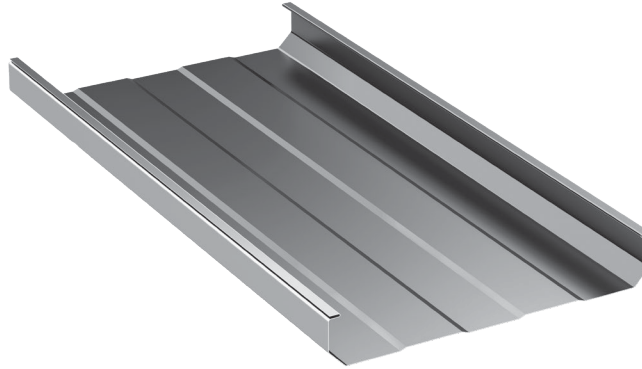


## Panel/Trim/Accessories

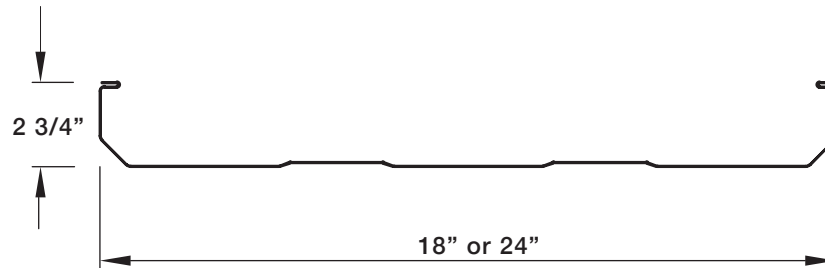


# TRAP-TEE

## DETAILS



### TRAP-TEE



### Trap-Tee Load Tables and Section Properties

For any available Testing Data, Section Properties, or Load Tables, please visit [www.mcelroymetal.com](http://www.mcelroymetal.com).  
For additional information, please contact the McElroy Engineering Department at 1-800-950-9082.

#### Details:

##### Applications

Symmetrical, site formed, mechanically seamed roof panel used on slopes down to 1/4:12.

##### Substrates

Plywood, metal deck, rigid insulation/metal deck or open framing. Best suited for simple sloped roofs without dormers, hips, valleys or other special conditions.

##### Material

Standard - 24 GA. ASTM A792 (50 ksi steel) AZ55 - Bare, AZ50 - Painted Optional - 22 GA. ASTM A792 (50 ksi steel) AZ55 - Bare, AZ50 - Painted - 20 GA. ASTM A792 (50 ksi steel) AZ55 - Bare, AZ50 - Painted

##### Manufacturing

Site formed - 18" and 24" Panel.

##### Finishes

Acrylic Coated Galvalume® Fluoropolymer (Kynar 500® PVDF resin-based) PVDF resin-based

##### Pan Conditions

3" wide minor ribs. Oil canning is inherent in all metal panels and is not cause for panel rejection.

##### Testing\*

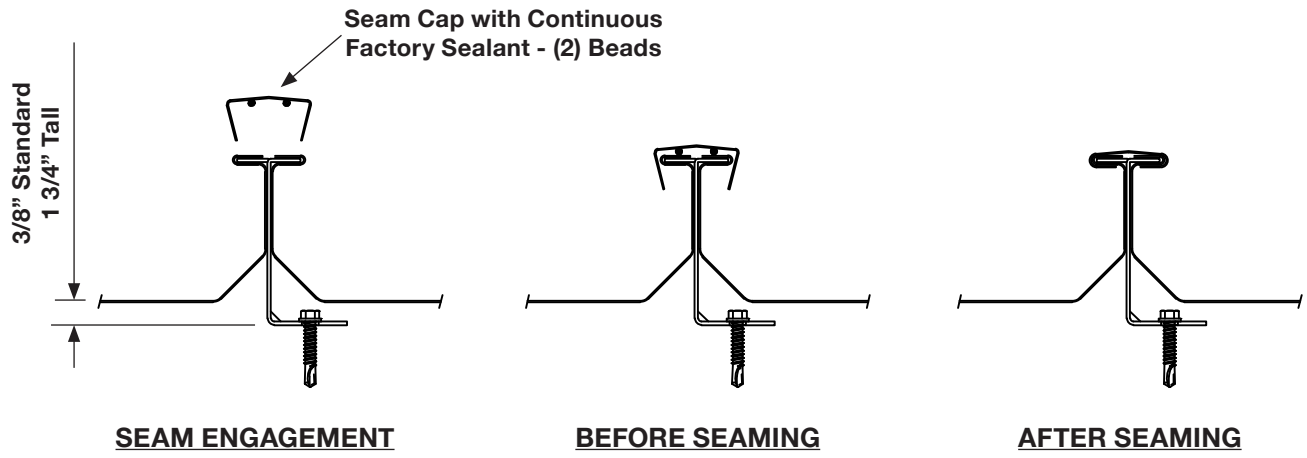
Uplift: ASTM E1592 (Pending) Static Waterhead: ASTM 2140 (Pending) Air & Water Infiltration: ASTM 1680, ASTM 1646 (Pending), FM 4471 (Pending) \*Testing and Approvals are product specific. Please inquire for details\*

#### Note:

- Customers can rent mechanical seaming equipment directly from Developmental Industries (DI). DI is the only McElroy approved seamer supplier.

- Contents in this manual are subject to change without notice. To confirm this book is the most current copy, please visit McElroy's website at: [www.mcelroymetal.com](http://www.mcelroymetal.com).

# TRAP-TEE

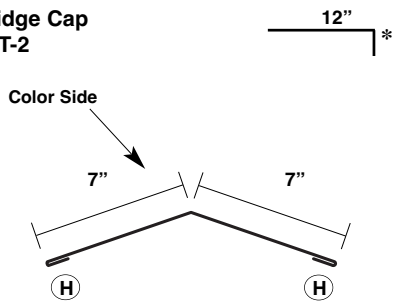


Notes:

# TRAP-TEE

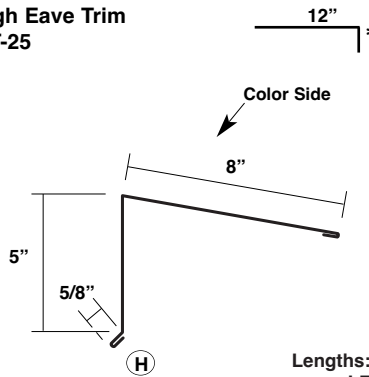
## TRIM

**Ridge Cap  
MT-2**



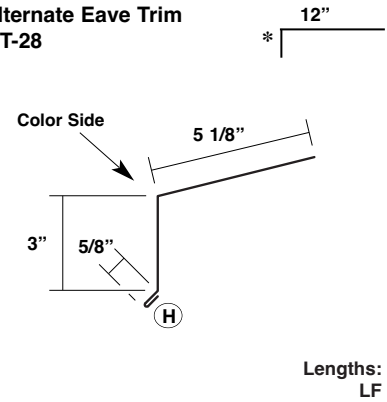
Lengths:  
LF

**High Eave Trim  
MT-25**



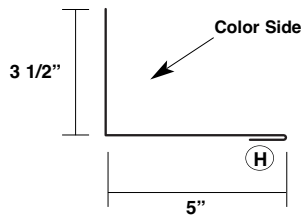
Lengths:  
LF

**Alternate Eave Trim  
MT-28**



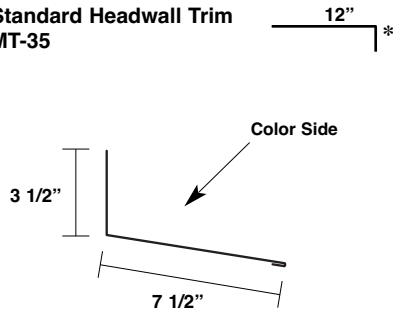
Lengths:  
LF

**Standard Sidewall Trim  
MT-34**



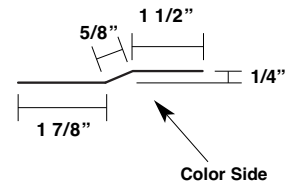
Lengths:  
LF

**Standard Headwall Trim  
MT-35**



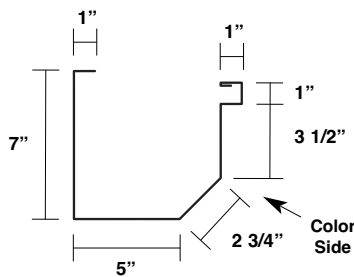
Lengths:  
LF

**Standard Offset Cleat  
MT-38**



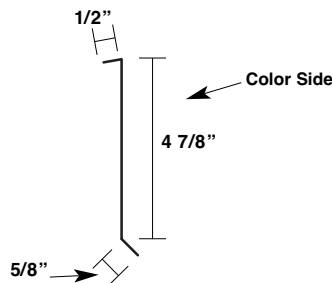
Lengths:  
LF

**7" Underhung Gutter (Fixed Eave Only)  
MT-63C**



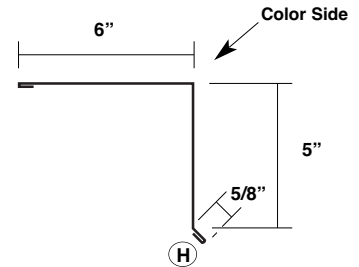
Lengths:  
LF

**Rake Support Cleat  
MT-156**



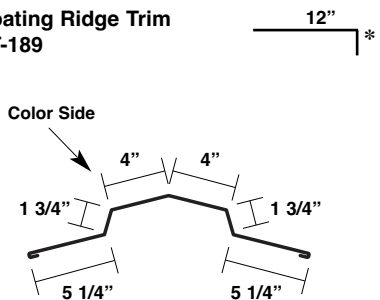
Lengths:  
LF

**Rake Trim  
MT-183**



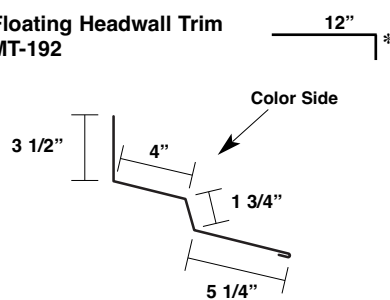
Lengths:  
LF

**Floating Ridge Trim  
MT-189**



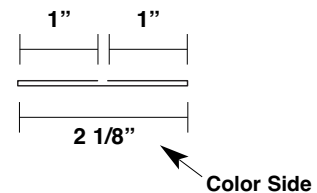
Lengths:  
LF

**Floating Headwall Trim  
MT-192**



Lengths:  
LF

**Gutter / Downspout Strap  
MT-67**

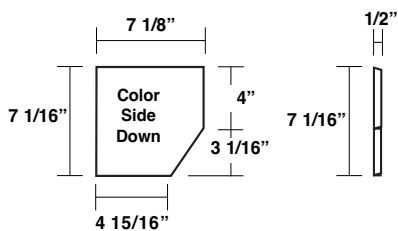


Color Side

# TRAP-TEE

TRIM

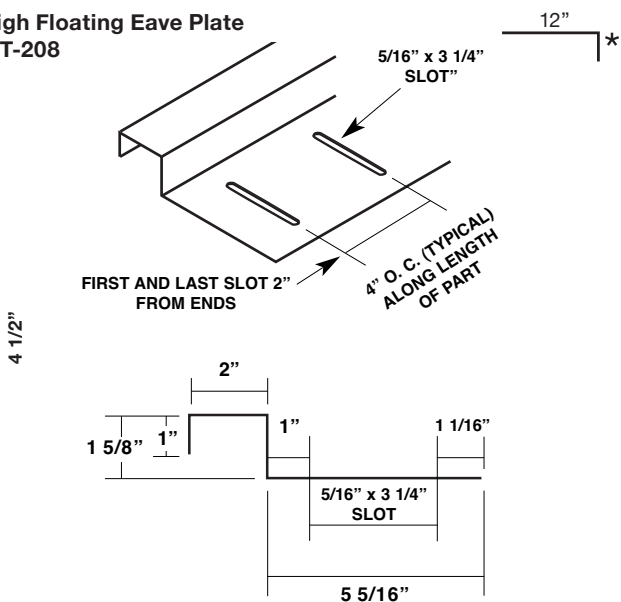
Gutter End Cap for 7" Box Gutter  
 MT-69R = Right End Cap  
 MT-69L = Left End Cap



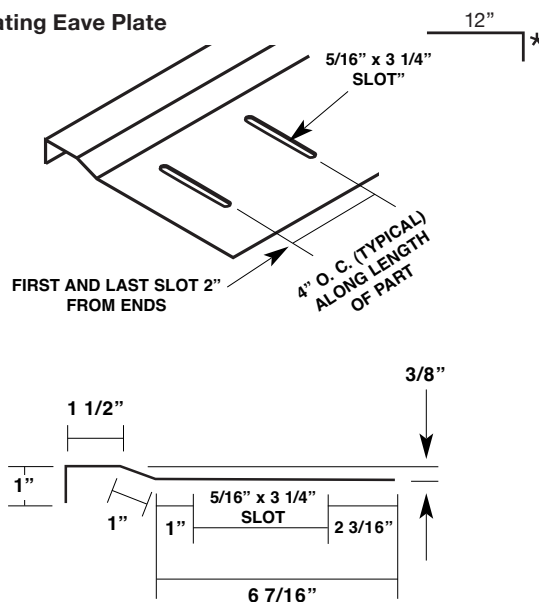
Left Hand Shown Right Hand Opposite

STRUCTURAL

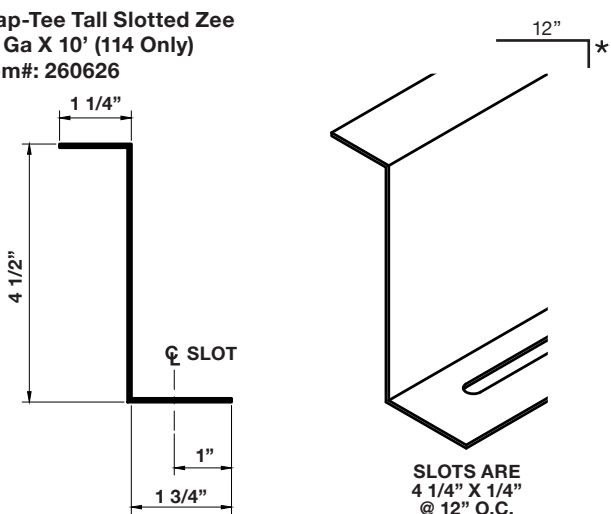
High Floating Eave Plate  
 MT-208



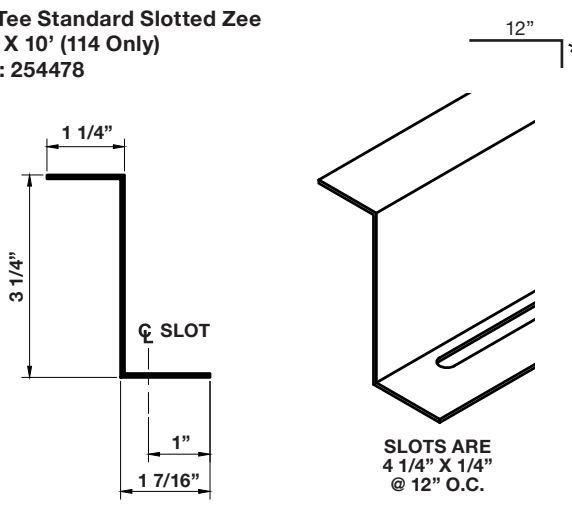
Low Floating Eave Plate  
 MT-209



Trap-Tee Tall Slotted Zee  
 16 Ga X 10' (114 Only)  
 Item#: 260626

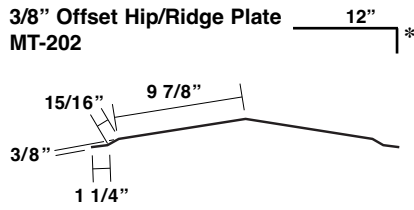


Trap-Tee Standard Slotted Zee  
 16 Ga X 10' (114 Only)  
 Item#: 254478

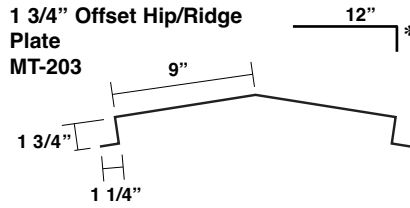


# TRAP-TEE

## STRUCTURAL

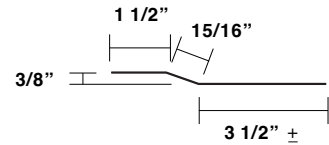


Houston Plant Only



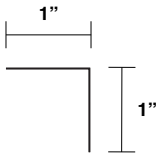
Houston Plant Only

**Low Eave Plate**  
**MT-185**



Lengths:  
10'

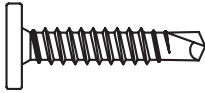
**16 Ga 1" x 1" Back-Up Angle**  
Item #: 226678



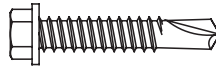
Lengths:  
LF

## ACCESSORIES

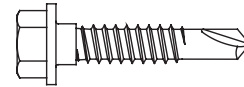
#10 - 16 x 1"  
TEK2 Pancake Head  
Self-Driller - Plain  
Item #: 36117



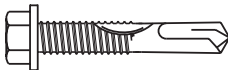
1/4 - 14 x 1 1/4"  
TEK2 Self-Driller  
W/O Washer - Plain  
Item #: 10969



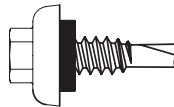
1/4 - 14 x 1 1/4"  
Shoulder TEK2 3/8  
HWH W/O Washer - Plain  
Item #: 10975



#12 - 24 x 1 1/4"  
TEK4.5 W/O Washer - Plain  
Item #: 10979



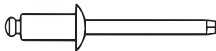
1/4 - 14 x 7/8" LAPTEK ZAC  
Self Driller  
(Part # varies by color)



1/4 - 14 x 1 1/4"  
TEK2 ZAC  
(Part # varies by color.)



43D Pop Rivet  
(Part # varies by color)



#12 - 13 Dekfast Phillips  
(Length varies by application)



Sikalastomer Butyl Sealant  
Item #: 95342



Titebond Caulk Sealant  
(Part # varies by color)

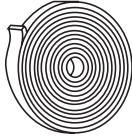
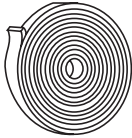
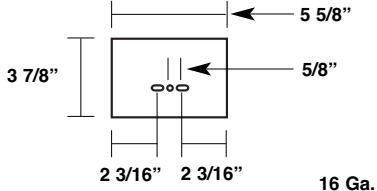
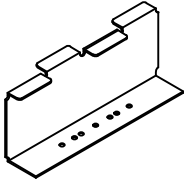
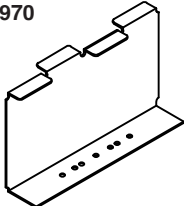
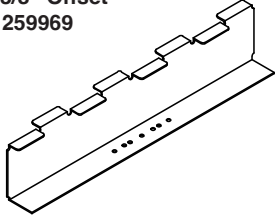
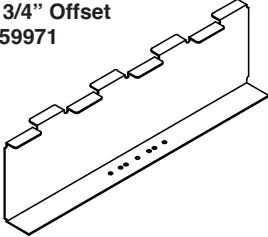
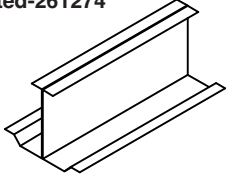
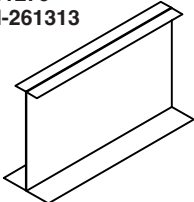
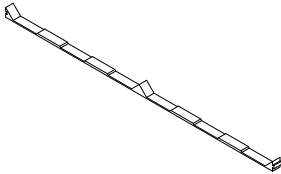
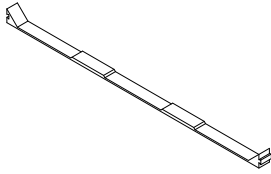
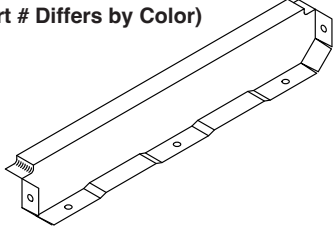
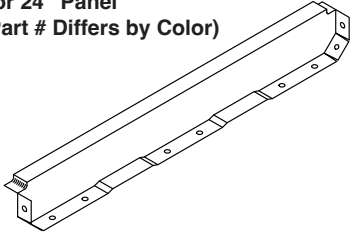
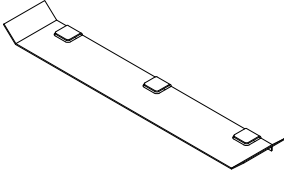
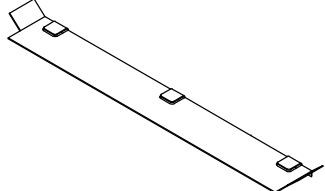
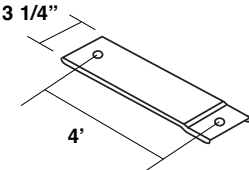
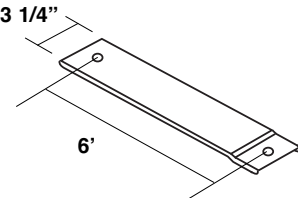


Touch-Up Paint Pen  
(Part # varies by color)



# TRAP-TEE

## ACCESSORIES

<p><b>Roll Tape Sealant 3/32" x 1" x 45'</b> Item #: 95335</p> 	<p><b>Roll Tape Sealant 3/16" x 7/8" Double Bead Tape Sealant</b> Item #: 95460</p> 	<p><b>Bearing Plate</b> Item #: 94599 Primed Item #: 203541 Galvanized</p> 
<p><b>Trap-Tee 8" Standard Clip</b> 16 GA 3/8" Offset Item#: 259968</p> 	<p><b>Trap-Tee 8" Tall Clip</b> 16 GA 1 3/4" Offset Item#: 259970</p> 	<p><b>Trap-Tee 16" Super Clip</b> 16 GA 3/8" Offset Item#: 259969</p> 
<p><b>Trap-Tee 16" Tall Super Clip</b> 16 GA 1 3/4" Offset Item#: 259971</p> 	<p><b>Trap-Tee Standard Multi-Span 24 ga Clips 3/8" Offset</b> Item# Bare-261276 Item# Painted-261274</p> 	<p><b>Trap-Tee Tall Multi-Span 24 ga Clips 1 3/4" Offset</b> Item# Bare-261279 Item# Painted-261313</p> 
<p><b>Trap-Tee Inside Closure</b> For 18" Panel (2 Panel Coverage) Item #: 259923</p> 	<p><b>Trap-Tee Inside Closure</b> For 24" Panel Item #: 259924</p> 	<p><b>Trap-Tee Outside Closure</b> For 18" Panel (Part # Differs by Color)</p> 
<p><b>Trap-Tee Outside Closure</b> For 24" Panel (Part # Differs by Color)</p> 	<p><b>Trap-Tee Back Up Plate 16 GA 18"</b> Item #: 259972</p> 	<p><b>Trap-Tee Back Up Plate 16 GA 24"</b> Item #: 259973</p> 
<p><b>4' Back-Up Channel - Galvanized</b> Item #: 17400</p> 		<p><b>6' Back-Up Channel - Galvanized</b> Item #: 17402</p> 



☆ MANUFACTURING LOCATIONS ● SERVICE CENTERS ★ MANUFACTURING AND SERVICE CENTER



**CORPORATE OFFICE**  
 1500 HAMILTON RD.  
 BOSSIER CITY, LA 71111

**MANUFACTURING LOCATIONS**

ADELANTO, CA	ASHBURN, GA	BOSSIER CITY, LA	CLINTON, IL	DIAMOND, MO
HOUSTON, TX	LEWISPORT, KY	LOCKHART, TX	MARSHALL, MI	MAUSTON, WI
MERKEL, TX	PEACHTREE CITY, GA	SUNNYVALE, TX	WINCHESTER, VA	

**MCELROY METAL**  
**SERVICE**  
**CENTER**  
 EMPLOYEE OWNED

17031 Koala Road Adelanto, CA 92301	5215 Leo St. Alexandria, LA 71301	1007 Wilso Dr, Baltimore, MD 21223	1500 Hamilton Rd. Bossier City, LA 71111
3052 Yadkin Road Chesapeake, VA 23323	9476 Meadowbrook Rd. Clinton, IL 61727	3215 Highway 59 Diamond, MO 64840	390 N. Valley Dell Dr. Fenton, MO 63026
409 Lovejoy Road Ft. Walton Beach, FL 32548	3014 Lincoln Court Garland, TX 75041	1440 Aldine Bender Road Houston, TX 77032	10504 E. 59th Street Indianapolis, IN 46236
32 Industrial Circle Lancaster, PA 17601	9435 US Hwy. 60 W. Lewisport, KY 42351	2701 Cahill Street Lockhart, TX 78644	1020 Veterans Street Mauston, WI 53948
5123 Terminal Dr. McFarland, WI 53558	514 Cave Road Nashville, TN 37210	8304 Hwy. 70 E. North Little Rock, AR 72117	613 North Bierdeman Rd. Pearl, MS 39208
8511 Industrial Drive Pearland, TX 77584	2755 Hwy 60 Pendergrass, GA 30567	7450 Tower Street Richland Hills, TX 76118	8200 Berry Ave. Suite 100 Sacramento, CA 95828
1365 Dean Forest Rd. Savannah, GA 31405	7355 Oakley Industrial Blvd. Union City, GA 30291	1144 Silstar Rd. West Columbia, SC 29170	325 McGhee Rd. Winchester, VA 22603

Website: [www.mcelroymetal.com](http://www.mcelroymetal.com) • E-mail: [info@mcelroymetal.com](mailto:info@mcelroymetal.com)