

1/4-14 X 7/8" LAP TEK ZAC
FASTENER (@ EVERY SECOND RIB)

HIGH SIDE TIE-IN TRIM

OUTSIDE CLOSURE W/
1" ROLL TAPE SEALANT
(TOP & BOTTOM)

1/4-14 X 1 1/4" TEK2 ZAC
FASTENER (SEE PATTERN #1
ON PAGE B-1)

MULTI-COR / M-COR
ROOF PANEL

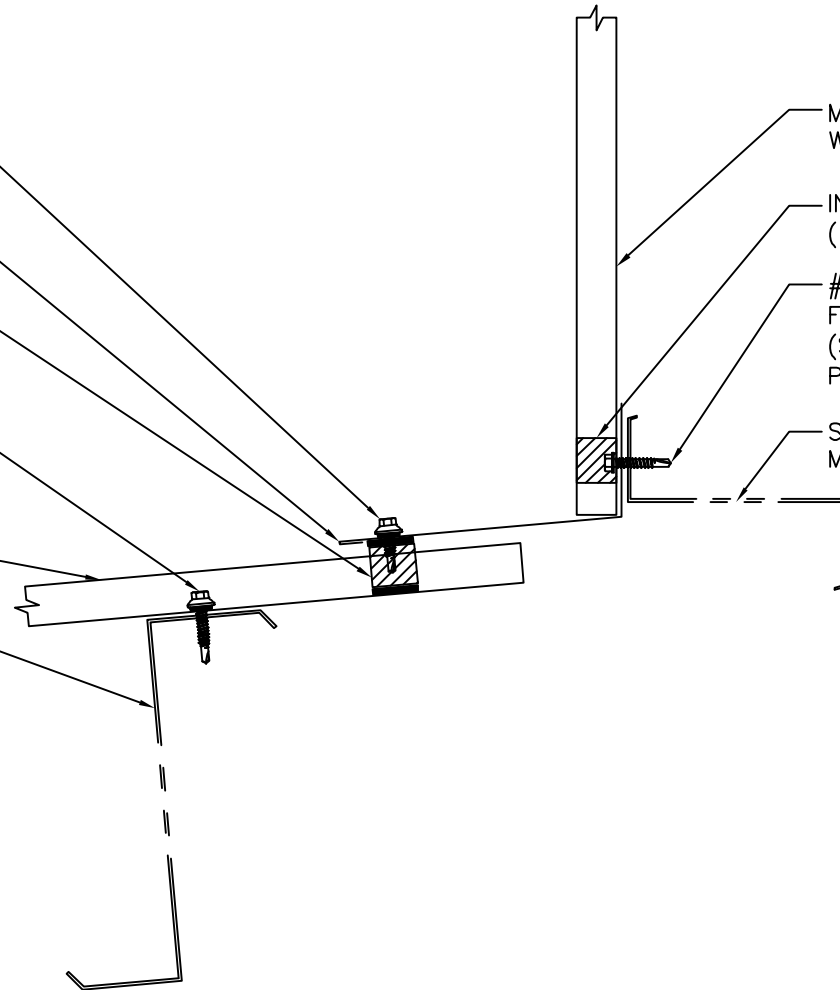
STRUCTURAL ROOF
MEMBER

MULTI-COR / M-COR
WALL PANEL

INSIDE CLOSURE
(RECOMMENDED)

#12-14 X 1 1/4" TEK2
FASTENER W/ WASHER
(SEE PATTERN #1 ON
PAGE B-1)

STRUCTURAL WALL
MEMBER



HI-SIDE TIE-IN DETAIL

ISSUE/REVISION DATE:

06/08/2020

ROOF PANEL: MULTICOR/MCOR

SUBSTRATE: STUD IN

SCALE: N.T.S.