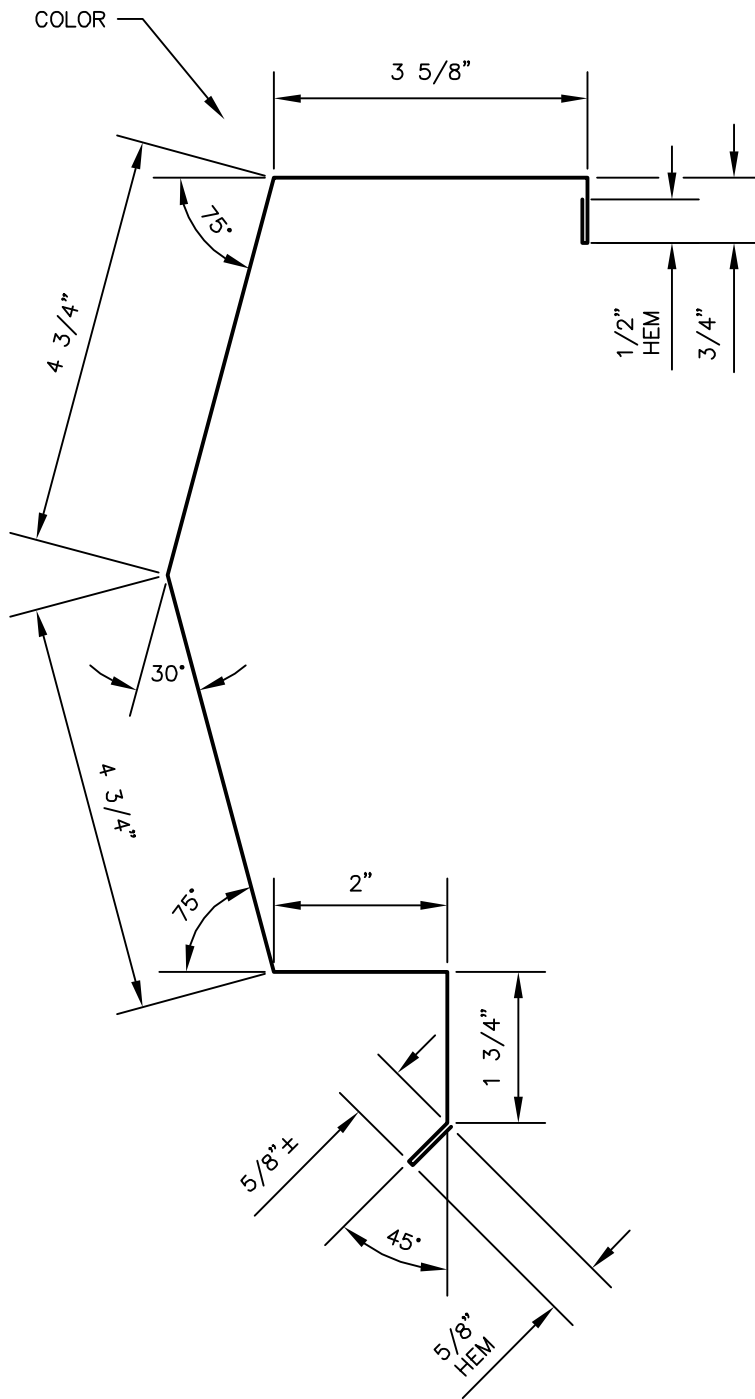


MASTERLOK TRIM INDEX

INDEX

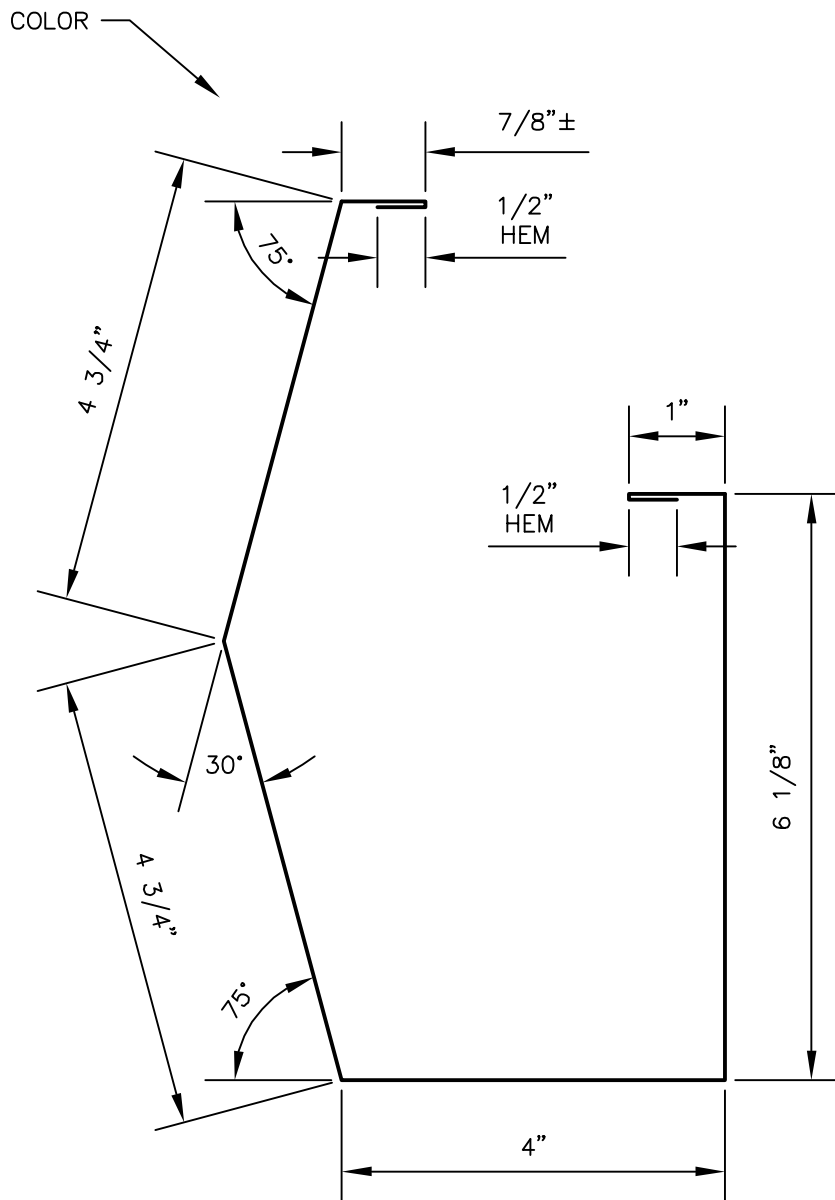
<u>DWG #:</u>	<u>DESCRIPTION:</u>	<u>IMAGE #:</u>
M9TW-0101	Rake Trim	40
M9TW-0102	Gutter - up to 2:12	88
M9TW-0103	ML-90 / Maxima 3" Sculptured Eave Trim	35
M9TW-0104	Gutter Corner Box for Sculptured Eave - up to 4:12 (Finished)	200A
M9TW-0105	Gutter Corner Box for Sculptured Eave - up to 4:12 (Patterns)	200B
		200C
		200D
		200
M9TW-0107	Fixed High-Side Tie-In Trim	15
M9TW-0108	Floating High-Side Tie-In Trim	16
M9TW-0109	Cinch Angle	210
M9TW-0110	Gutter Strap	117
M9TW-0111	Insulation Angle Trim	146
M9TW-0112	Insulation Zee Trim	145
M9TW-0113	Fixed Ridge Trim - up to 4:12	73
M9TW-0115	Floating Ridge Trim - up to 4:12	81
M9TW-0117	3" Zee Flashing	136
M9TW-0118	Rake End (Pattern)	191B
M9TW-0118A	Rake End (Finished)	191A
		191
M9TW-0119	High Side Eave Trim - up to 2:12	1
M9TW-0120	Rake Slide	55
M9TW-0121	Gutter End Cap - up to 2:12 (Finished)	106A
M9TW-0122	Gutter End Cap - up to 2:12 (Pattern)	106B
		106
M9TW-0123	Gutter - 2:12 to 4:12	94
M9TW-0124	Gutter End Cap - 2:12 to 4:12 (Finished)	109A
M9TW-0125	Gutter End Cap - 2:12 to 4:12 (Pattern)	109B
		109
M9TW-0126	High Side Eave Trim - 2:12 to 4:12	2
M9TW-0127	Simple Eave Trim	20
M9TW-0128	Termination Trim	209
M9TW-0129	Hi-Low Tie-In Trim	18
M9TW-0130	Fixed Peak Box - 2:12 to 4:12 (Pattern)	241B
M9TW-0131	Fixed Peak Box - 2:12 to 4:12 (Finished)	241A
		241
M9TW-0132	Fixed Peak Box - up to 2:12 (Pattern)	239B
M9TW-0133	Fixed Peak Box - up to 2:12 (Finished)	239A
		239
M9TW-0134	Floating Peak Box - up to 2:12 (Finished)	243A
M9TW-0135	Floating Peak Box - up to 2:12 (Pattern A)	243B
M9TW-0136	Floating Peak Box - up to 2:12 (Pattern B)	243C
		243

<u>DWG #:</u>	<u>DESCRIPTION:</u>	<u>IMAGE #:</u>
M9TW-0137	Floating Peak Box - 2:12 to 4:12 (Finished)	246A
M9TW-0138	Floating Peak Box - 2:12 to 4:12 (Pattern A)	246B
M9TW-0139	Floating Peak Box - 2:12 to 4:12 (Pattern B)	246C
M9TW-0140	Outside Corner Box for Standard Gutter - up to 2:12 (Finished)	193A
M9TW-0141	Outside Corner Box for Standard Gutter - up to 2:12 (Rake Pattern)	193B
M9TW-0142	Outside Corner Box for Standard Gutter - up to 2:12 (Eave Pattern)	193C
M9TW-0143	Outside Corner Box for Standard Gutter - 2:12 to 4:12 (Finished)	196A
M9TW-0144	Outside Corner Box for Standard Gutter - 2:12 to 4:12 (Patterns)	196B
		196C
		196D
M9TW-0147	High-Side Corner Box (Finished)	204A
M9TW-0148	High-Side Corner Box (Rake Pattern)	204B
M9TW-0149	High-Side Corner Box (Eave Pattern)	204C
M9TW-0150	Rake Tie-In Trim	453
M9TW-0151	Alt. Rake Tie-In Trim	454



RAKE TRIM

PANEL PROFILES	GAUGE
MASTERLOK-90	24
MASTERLOK-FS	24



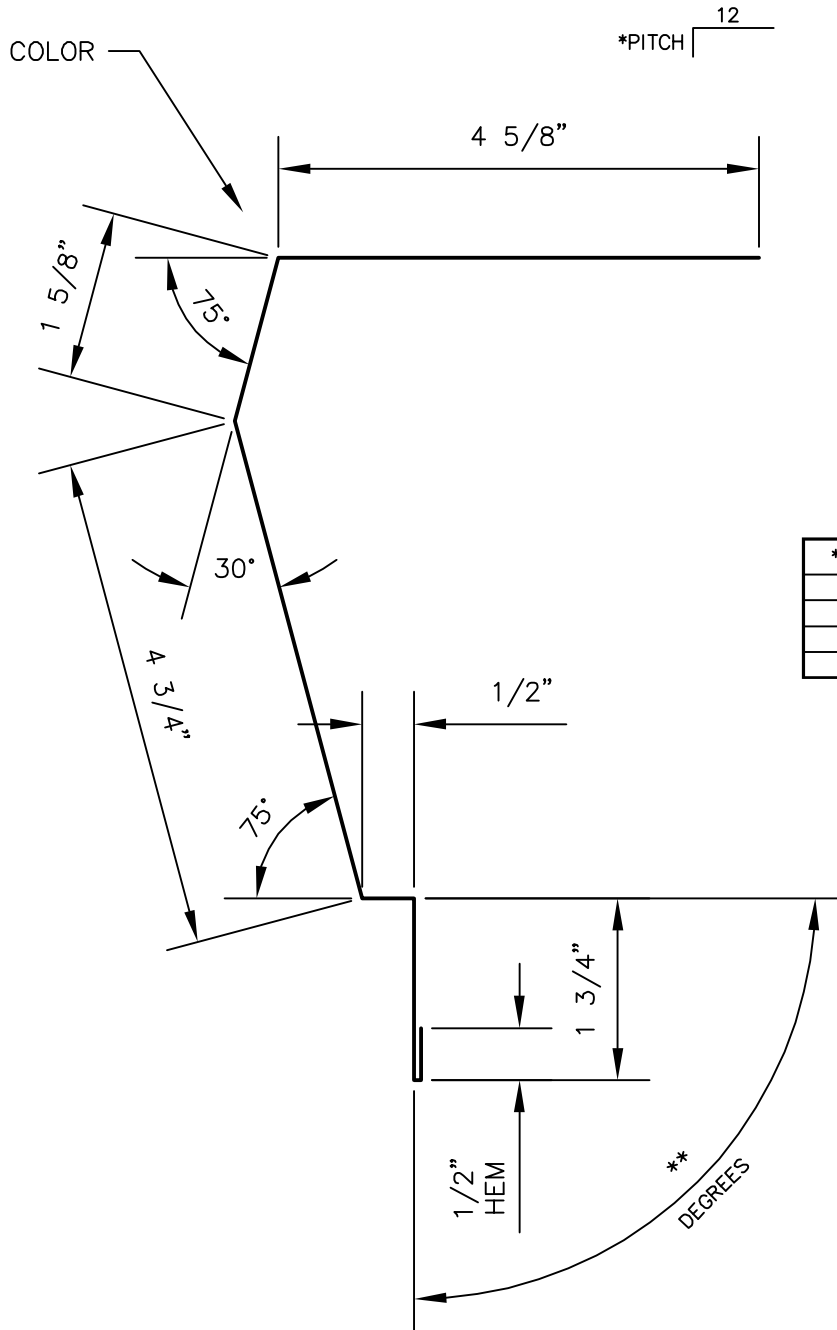
GUTTER

(FOR UP TO 2:12 PITCH)

PANEL PROFILES	GAUGE
MASTERLOK-90	24
MASTERLOK-FS	24
MAXIMA 3"	24

6-25-13 rev.
 9-27-11 rev.
 1-26-94

GIRTH: $22 \frac{1}{2}"$
 BENDS: 90° UNLESS NOTED

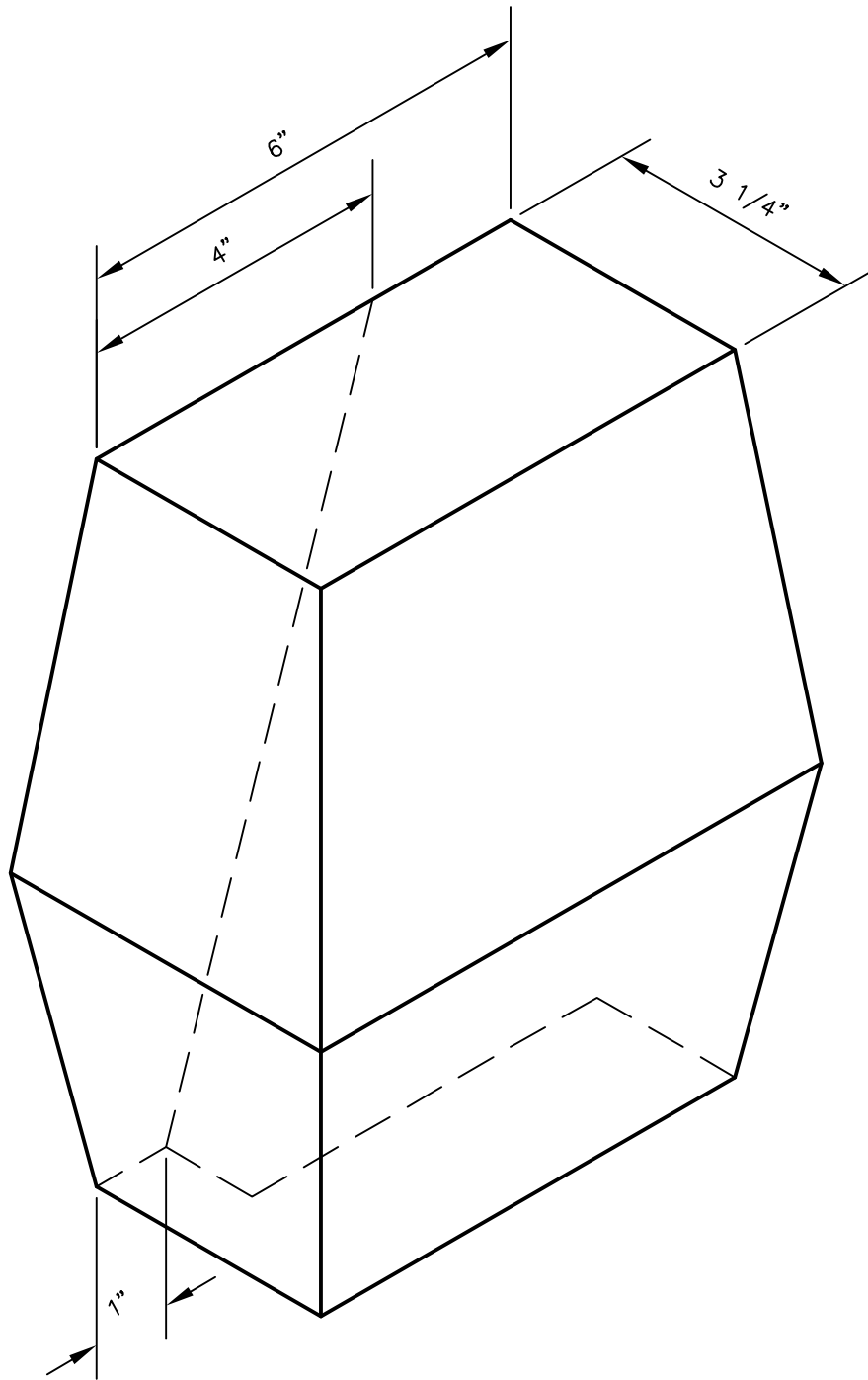


*PITCH $\frac{12}{12}$

*PITCH	**DEGREES
1:12	95°
2:12	99°
3:12	103°
4:12	108°

PANEL PROFILES	GAUGE
MASTERLOK-90	24
MASTERLOK-FS	24
MAXIMA 3"	24

SCULPTURED EAVE TRIM



PANEL PROFILES	GAUGE
MASTERLOK-90	24 or 26
MASTERLOK-FS	24 or 26
MAXIMA 1.5"	24 or 26
MAXIMA 2"	24 or 26
MAXIMA 3"	24 or 26
MAXIMA ADV	24 or 26

GUTTER CORNER BOX for SCULPTURED EAVE - FINISHED

(R.H. SHOWN - L.H. OPPS.)
 (FOR UP TO 4:12 PITCH)

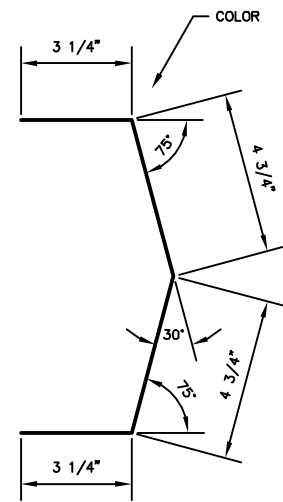
4-20-15 rev.
 8-26-13 rev.
 7-29-11 rev.
 5-09-06 rev.
 1-03-94

GIRTH: SEE PATER: M9TW-0105
 BENDS: SEE PATER: M9TW-0105

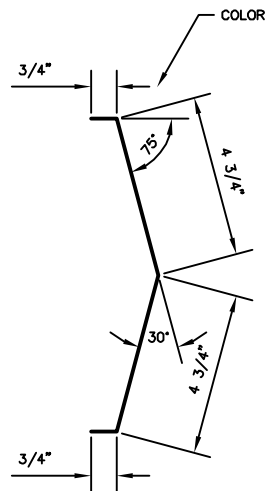
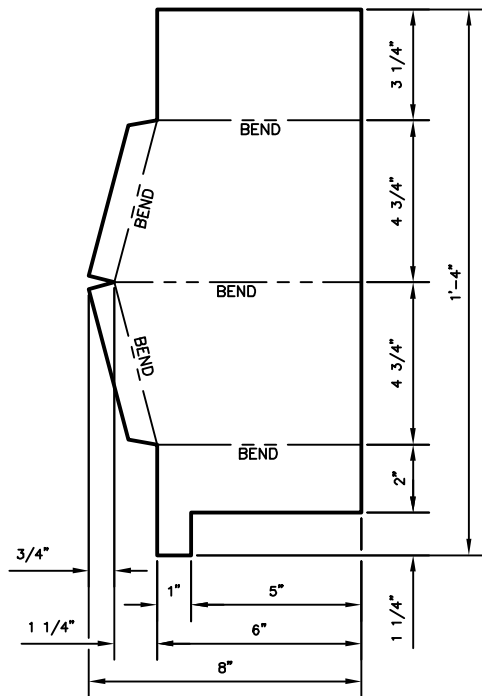
200B

200C

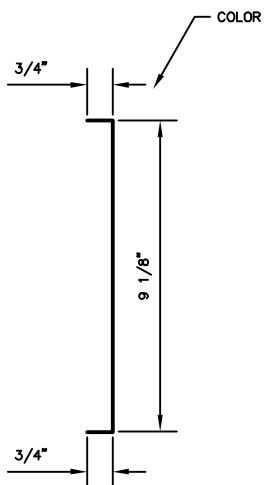
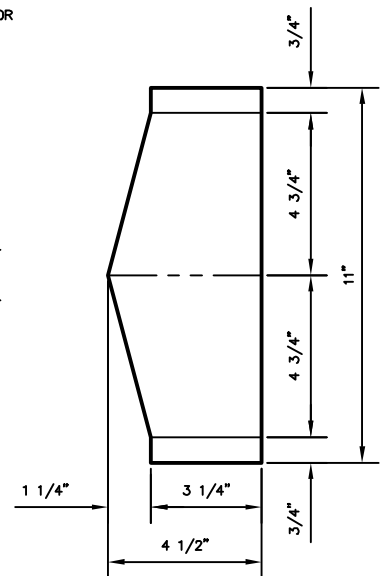
200D



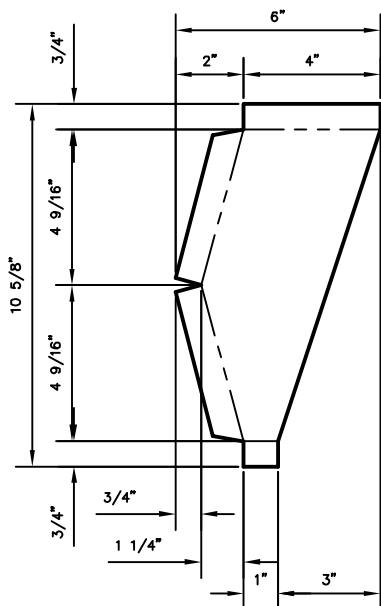
GIRTH: 8" X 1'-4"
BENDS: AS SPECIFIED



GIRTH: 4 1/2" X 11"
BENDS: AS SPECIFIED



GIRTH: 6" X 10 5/8"
BENDS: 90°



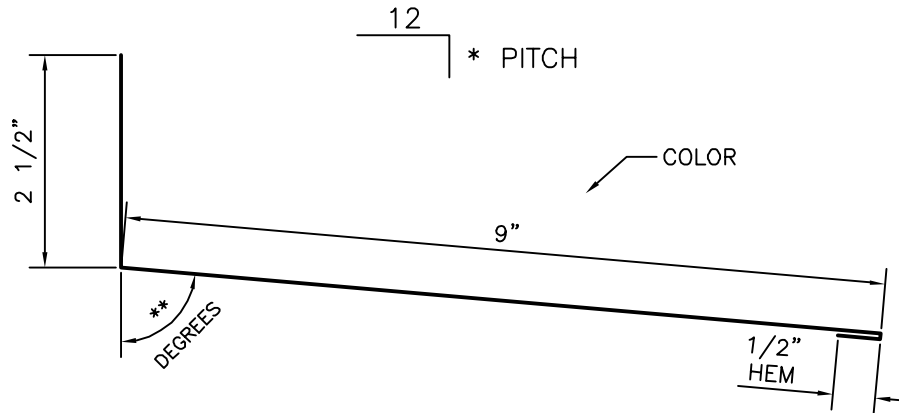
PANEL PROFILES	GAUGE
MASTERLOK-90	24 or 26
MASTERLOK-FS	24 or 26
MAXIMA 1.5"	24 or 26
MAXIMA 2"	24 or 26
MAXIMA 3"	24 or 26
MAXIMA ADV	24 or 26

GUTTER CORNER BOX for SCULPTURED EAVE - PATTERNS

(R.H. SHOWN - L.H. OPP.)
(FOR UP TO 4:12 PITCH)

4-20-15 rev.
7-29-11 rev.
5-09-06 rev.
1-03-94

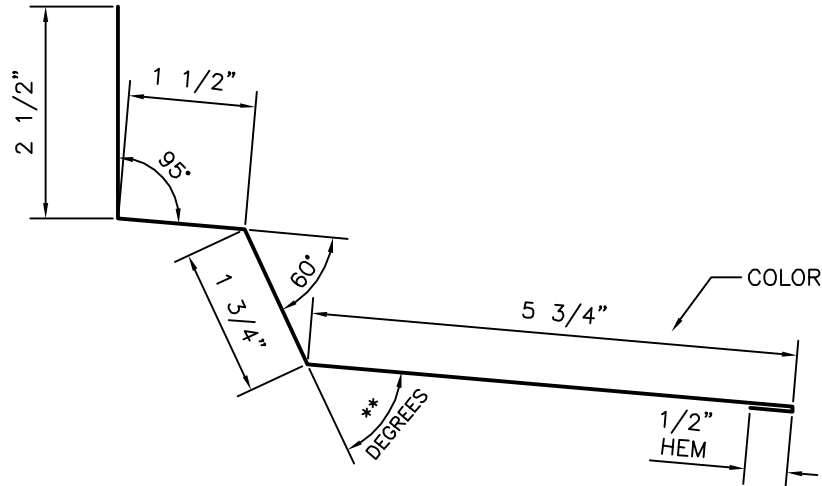
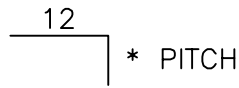
SEE FINISHED: M9TW-0104



* PITCH	IN DEGREES
1:12	85°
2:12	81°
3:12	76°
4:12	72°
5:12	67°
6:12	63°

FIXED HIGH-SIDE TIE-IN TRIM

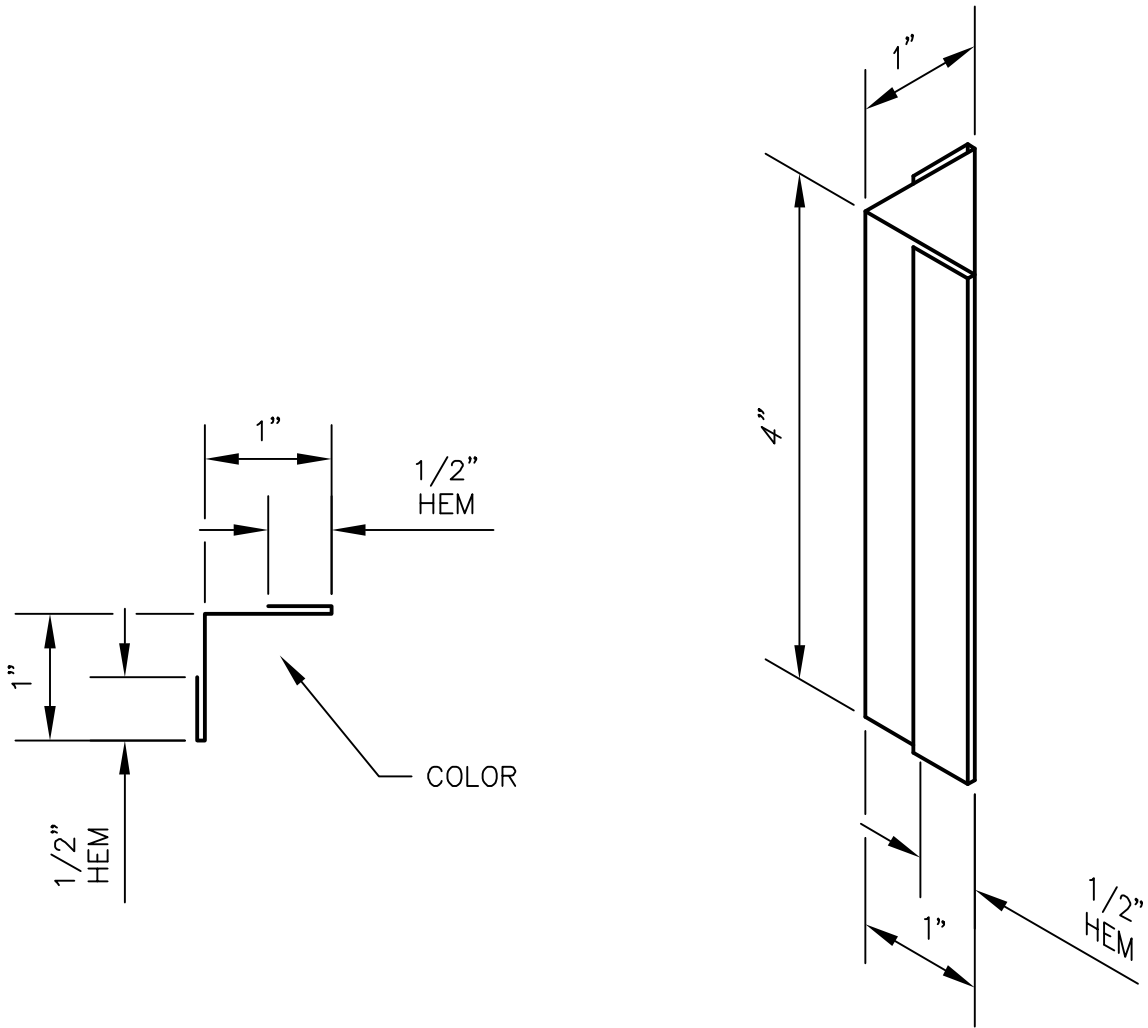
PANEL PROFILES	GAUGE
MASTERLOK-90	24
MASTERLOK-FS	24
MAXIMA 1.5"	24
MAXIMA 2"	24
MAXIMA 3"	24
MAXIMA ADV	24



* PITCH	** DEGREES
1:12	60°
2:12	56°
3:12	52°
4:12	47°
5:12	42°
6:12	38°

FLOATING HIGH-SIDE TIE-IN TRIM

PANEL PROFILES	GAUGE
MASTERLOK-90	24
MASTERLOK-FS	24
MAXIMA 1.5"	24
MAXIMA 2"	24
MAXIMA 3"	24
MAXIMA ADV	24
MIRAGE I	24
MIRAGE II	24

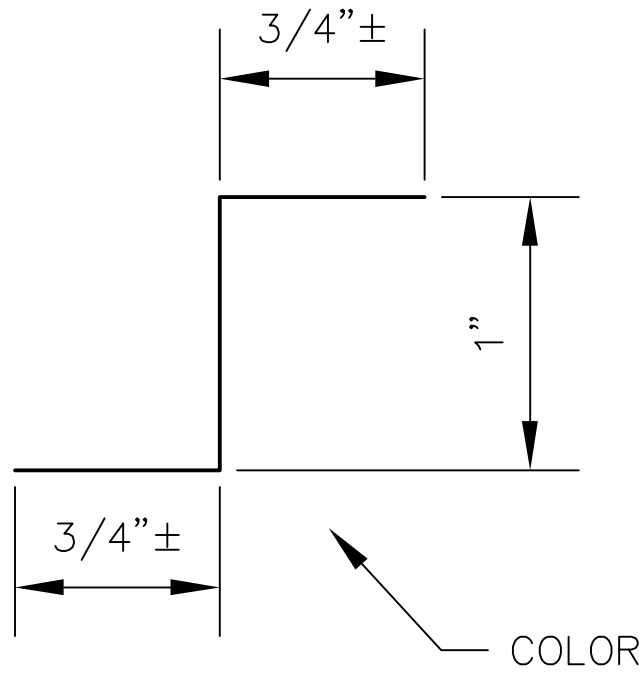


CINCH ANGLE

PANEL PROFILES	GAUGE
MASTERLOK-90	24
MASTERLOK-FS	24
MAXIMA 1.5"	24
MAXIMA 2"	24
MAXIMA 3"	24
MAXIMA ADV	24
MIRAGE	24
MIRAGE II	24

6-25-13 rev.
 7-29-11 rev.
 1-03-94

GIRTH: 3" X 4" LONG
 BENDS: 90°

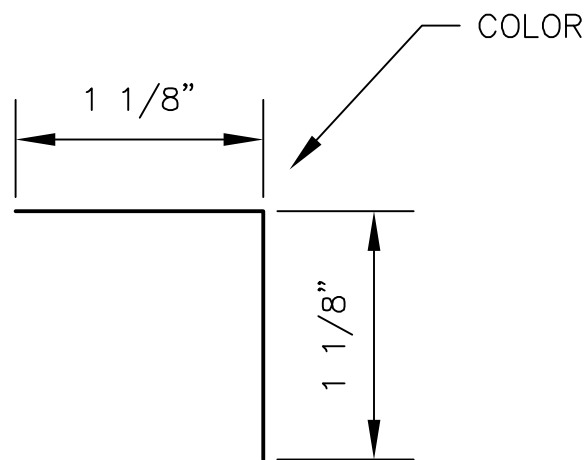


GUTTER STRAP

PANEL PROFILES	GAUGE
MASTERLOK-90	24
MASTERLOK-FS	24
MAXIMA 1.5"	24
MAXIMA 2"	24
MAXIMA 3"	24
MAXIMA ADV	24

11-4-13 rev.
9-27-11 rev.
1-03-94

GIRTH: 2 1/2"
BENDS: 90°

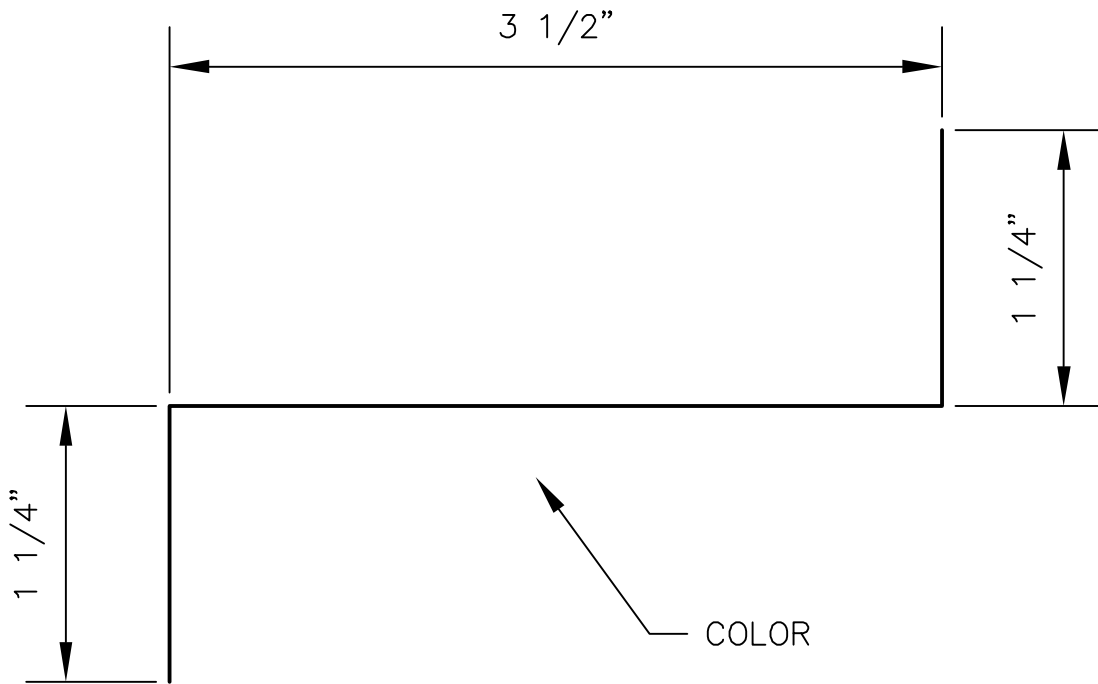


INSULATION ANGLE TRIM

PANEL PROFILES	GAUGE
MASTERLOK-90	24
MASTERLOK-FS	24

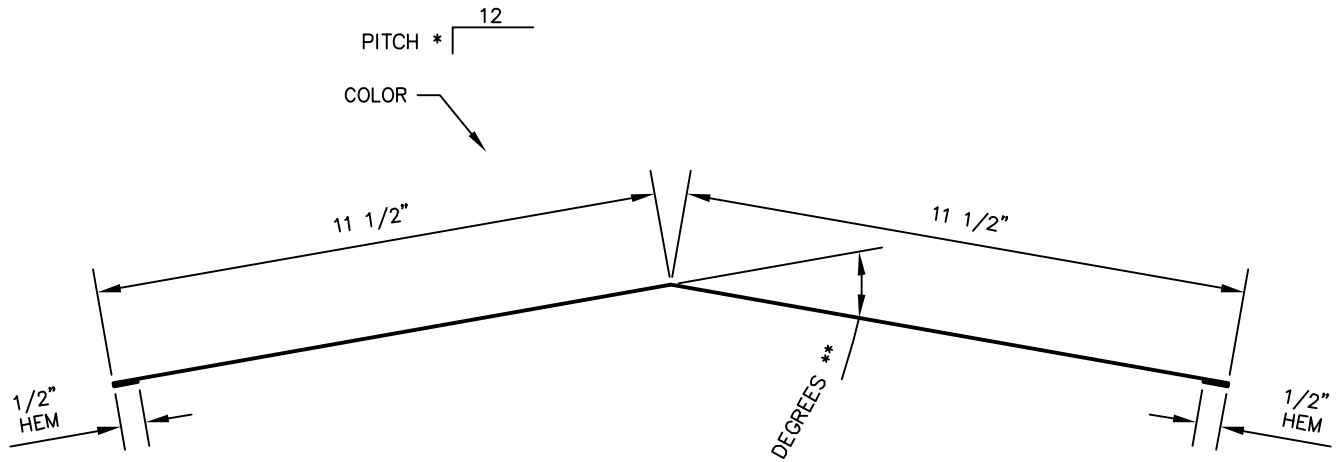
6-25-13 rev.
10-12-11 rev.
4-18-03 rev.
1-03-94

GIRTH: 2 1/4"
BENDS: 90°



INSULATION ZEE TRIM

PANEL PROFILES	GAUGE
MASTERLOK-90	24
MASTERLOK-FS	24



PITCH	**DEGREES
1:12	10°
2:12	19°
3:12	28°
4:12	37°

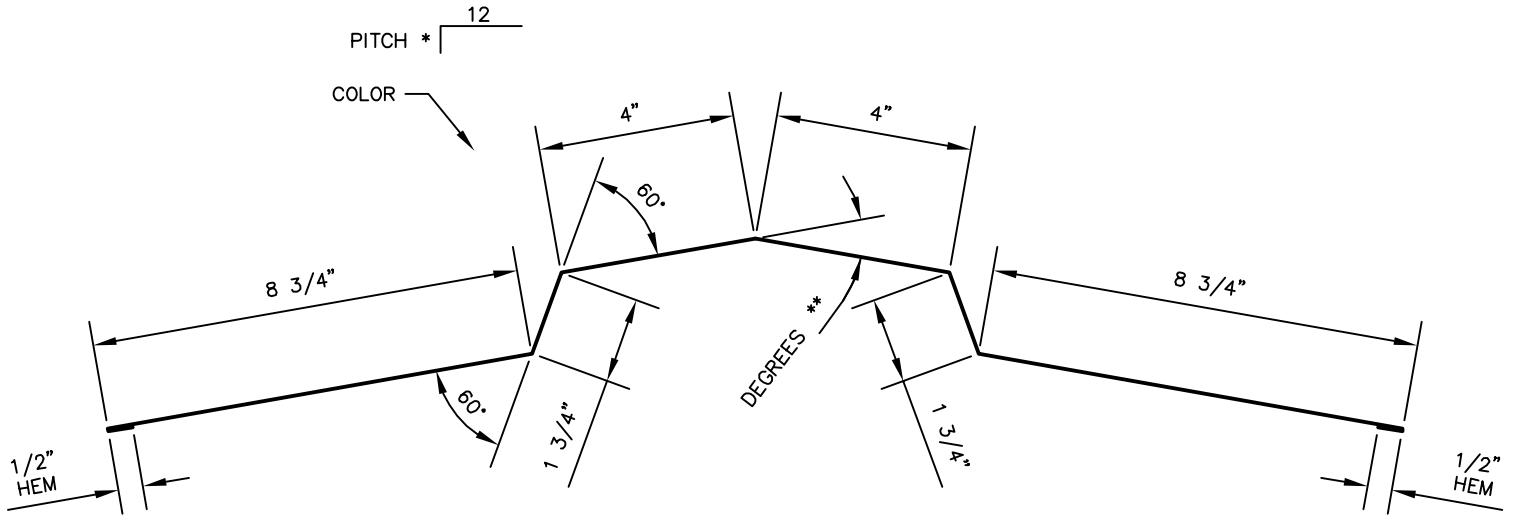
FIXED RIDGE TRIM

(UP TO 4:12 PITCH)

PANEL PROFILES	GAUGE
MASTERLOK-90	24
MASTERLOK-FS	24
MAXIMA 1.5"	24
MAXIMA 2"	24
MAXIMA 3"	24
MAXIMA ADV	24
U-PANEL	26
R-PANEL	26
MULTI-RIB	26
MEGA-RIB	26
M-COR	26
MULTI-COR	26
MIRAGE	26
MIRAGE II	26

6-25-13 rev.
7-19-11 rev.
5-9-06 rev.
1-3-94

GIRTH: 24"
BENDS: 90° UNLESS SPECIFIED



PITCH	**DEGREES
1:12	10°
2:12	19°
3:12	28°
4:12	37°

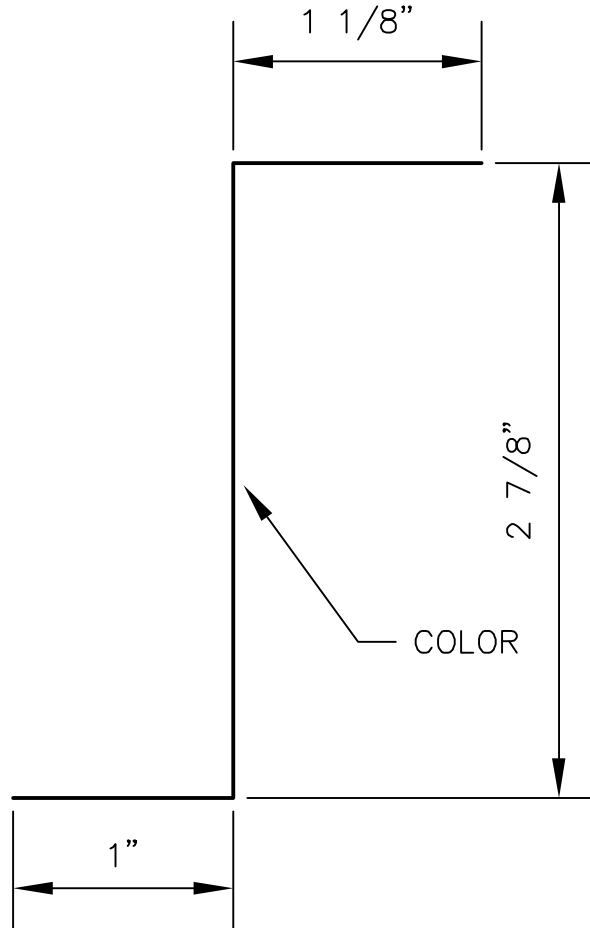
FLOATING RIDGE TRIM

(UP TO 4:12 PITCH)

PANEL PROFILES	GAUGE
MASTERLOK-90	24
MASTERLOK-FS	24
MAXIMA 1.5"	24
MAXIMA 2"	24
MAXIMA 3"	24
MAXIMA ADV	24

6-25-13 rev.
 5-9-06 rev.
 1-3-94

GIRTH: 30"
 BENDS: 90° UNLESS SPECIFIED

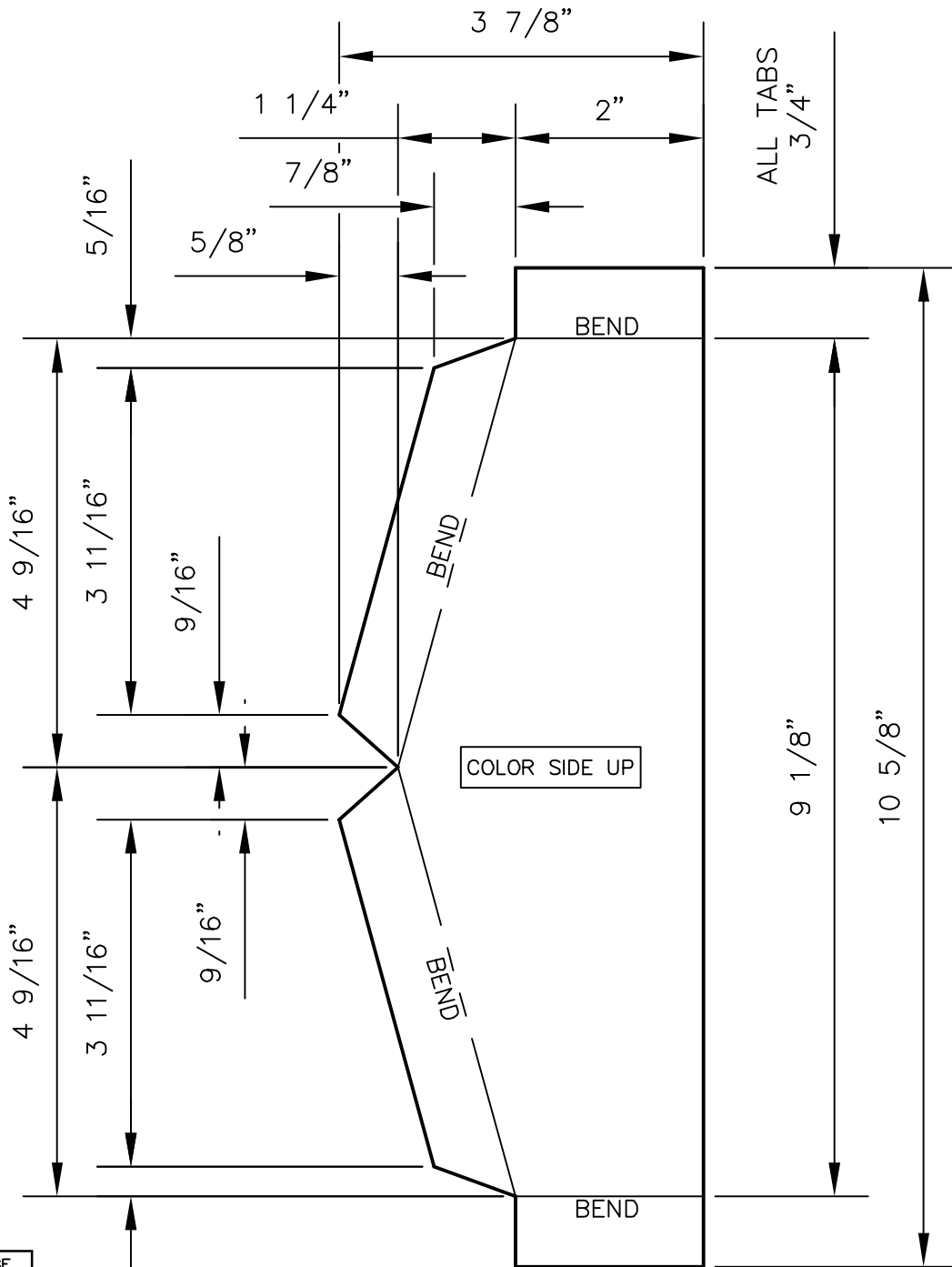


3" ZEE FLASHING

PANEL PROFILES	GAUGE
MASTERLOK-90	24
MASTERLOK-FS	24
MAXIMA 3"	24

11-4-13 rev.
 10-12-11 rev.
 4-17-03 rev.
 1-03-94

GIRTH: 5"
 BENDS: 90°

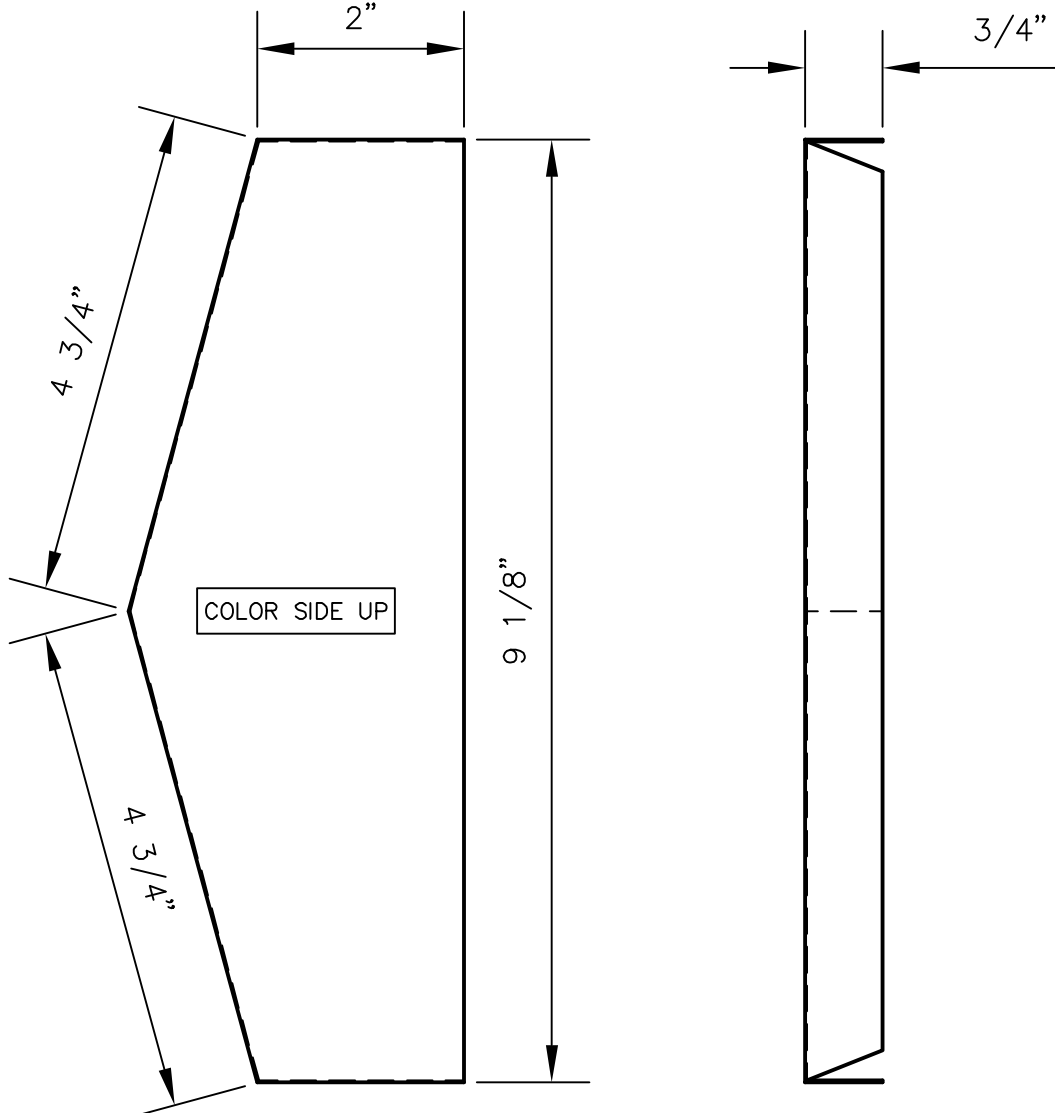


PANEL PROFILES	GAUGE
MASTERLOK-90	24 or 26
MASTERLOK-FS	24 or 26
MAXIMA 1.5"	24 or 26
MAXIMA 2"	24 or 26
MAXIMA 3"	24 or 26
MAXIMA ADV	24 or 26

RAKE END - PATTERN

8-26-13 rev.
7-29-11 rev.
1-03-94

GIRTH: $3 \frac{7}{8}$ " X $10 \frac{5}{8}$ "
BENDS: DOWN 90°

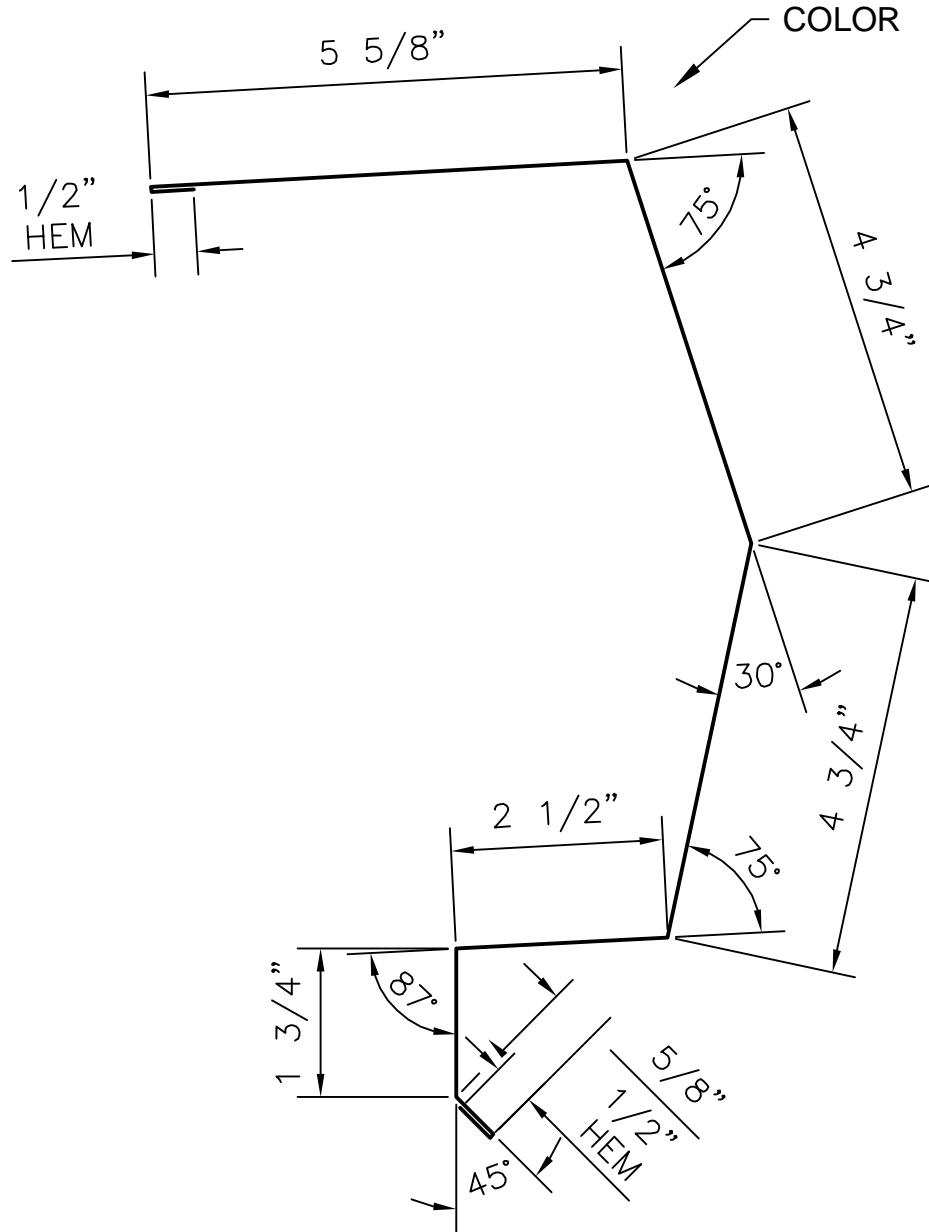


RAKE END - FINISHED

PANEL PROFILES	GAUGE
MASTERLOK-90	24 or 26
MASTERLOK-FS	24 or 26
MAXIMA 1.5"	24 or 26
MAXIMA 2"	24 or 26
MAXIMA 3"	24 or 26
MAXIMA ADV	24 or 26

8-26-13 rev.
 7-29-11 rev.
 12-24-97

GIRTH: SEE PATTERN M9TW-0118
 BENDS: DOWN 90°



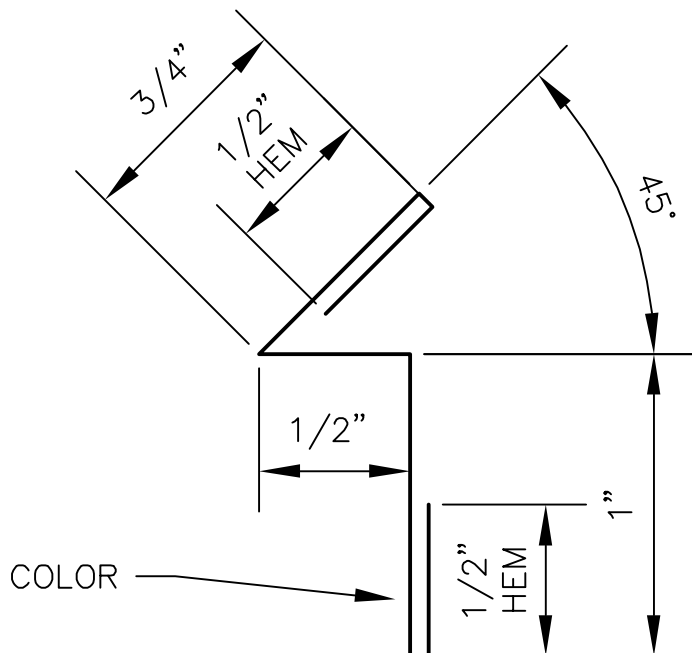
HIGH SIDE EAVE TRIM

(FOR UP TO 2:12 PITCH)

PANEL PROFILES	GAUGE
MASTERLOK-90	24
MASTERLOK-FS	24
MAXIMA 1.5"	24
MAXIMA 2"	24
MAXIMA 3"	24
MAXIMA ADV	24

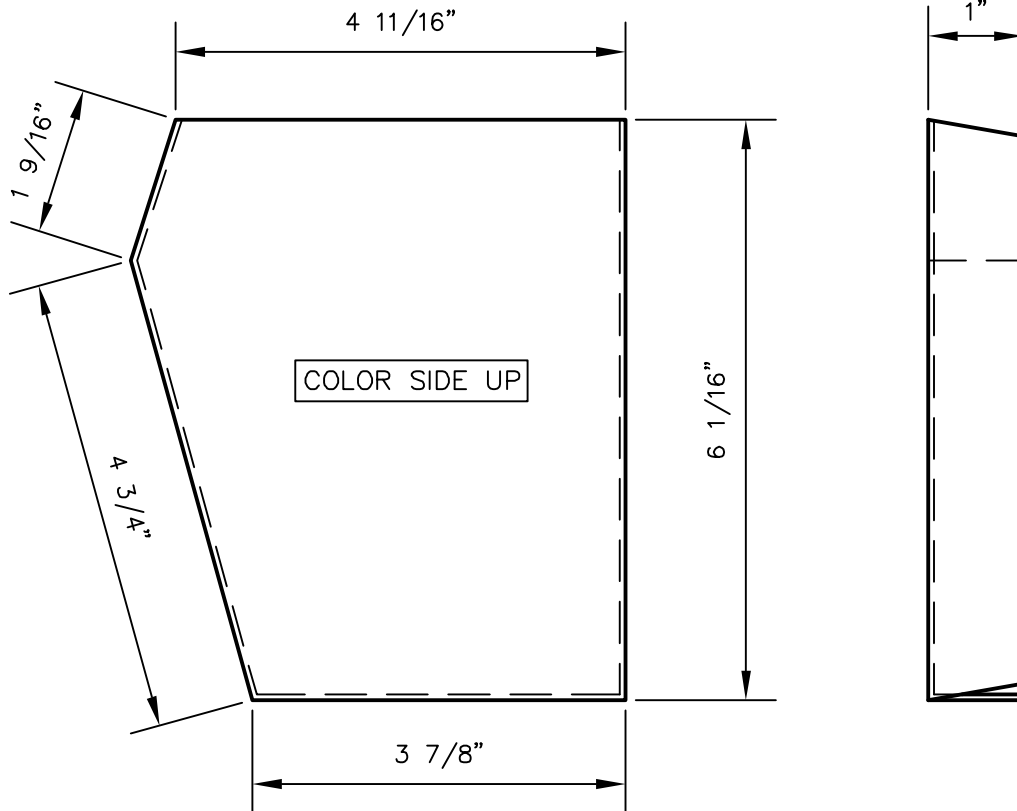
3-31-15 rev.
 6-25-13 rev.
 4-09-13 rev.
 4-29-11

GIRTH: 21"
 BENDS: AS SPECIFIED



RAKE SLIDE

PANEL PROFILES	GAUGE
MASTERLOK-90	24
MASTERLOK-FS	24
MAXIMA 1.5"	24
MAXIMA 2"	24
MAXIMA 3"	24
MAXIMA ADV	24
MIRAGE	24
MIRAGE II	24



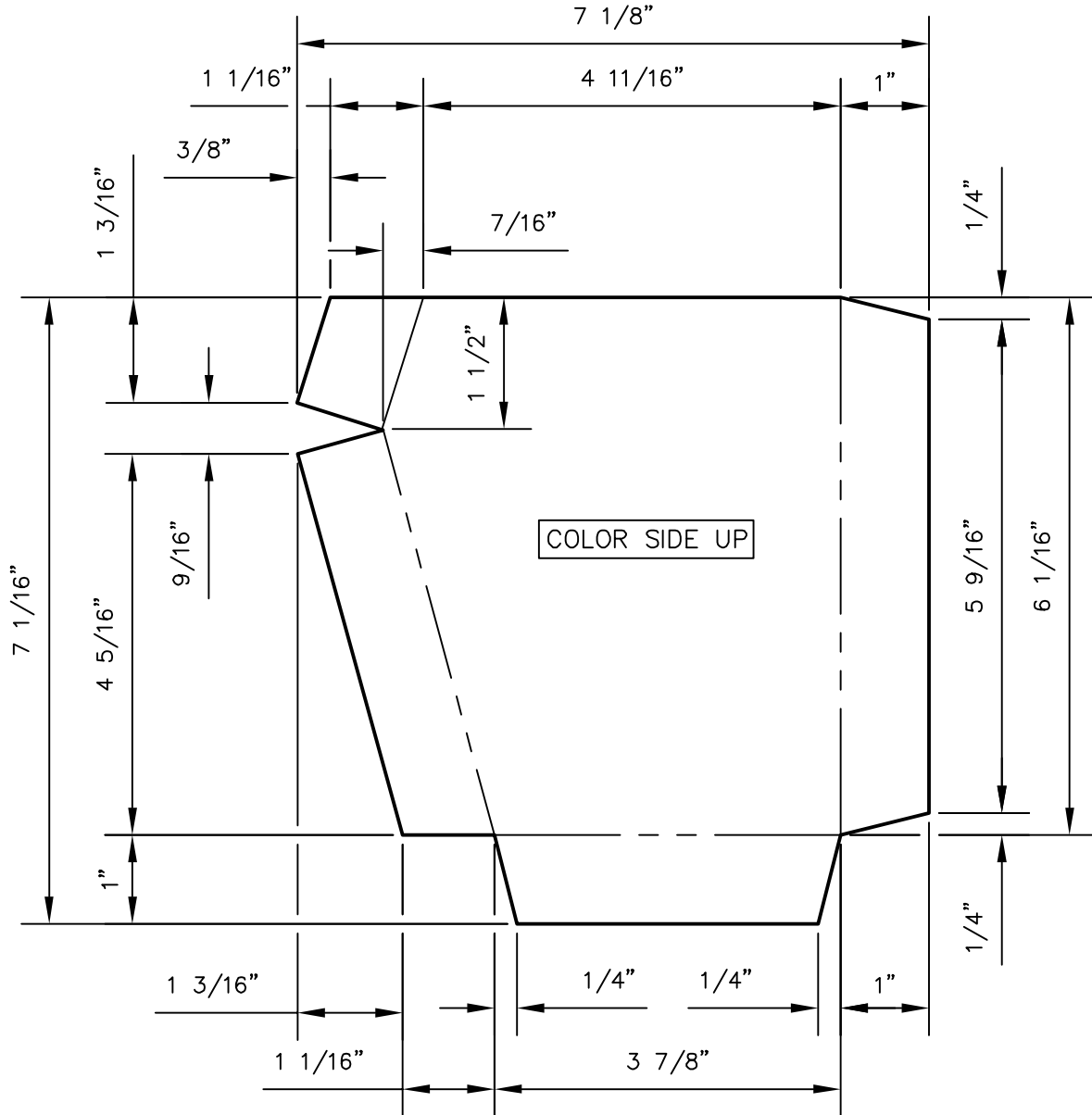
GUTTER END CAP (UP TO 2:12) - FINISHED

(RIGHT HAND SHOWN – LEFT HAND OPPOSITE)

PANEL PROFILES	GAUGE
MASTERLOK-90	24 or 26
MASTERLOK-FS	24 or 26
MAXIMA 3"	24 or 26

8-22-13 rev.
 9-27-11 rev.
 1-03-94

GIRTH: SEE PATTERN: M9TW-0122
 BENDS: SEE PATTERN: M9TW-0122



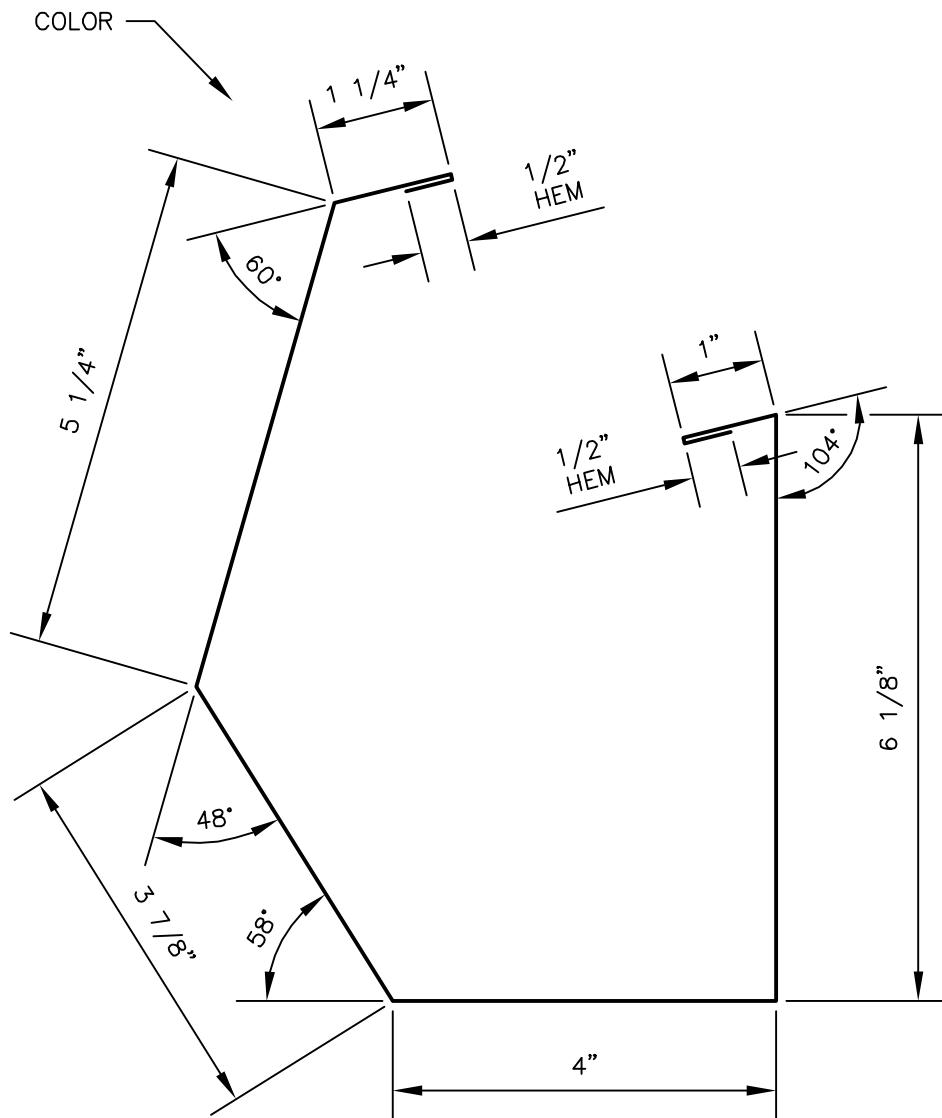
GUTTER END CAP (UP TO 2:12) - PATTERN

(RIGHT HAND SHOWN – LEFT HAND OPPOSITE)

PANEL PROFILES	GAUGE
MASTERLOK-90	24 or 26
MASTERLOK-FS	24 or 26
MAXIMA 3"	24 or 26

8-22-13 rev.
 9-23-11 rev.
 1-03-94

GIRTH: 7 1/16" X 7 1/8"
 BENDS: DOWN 90°



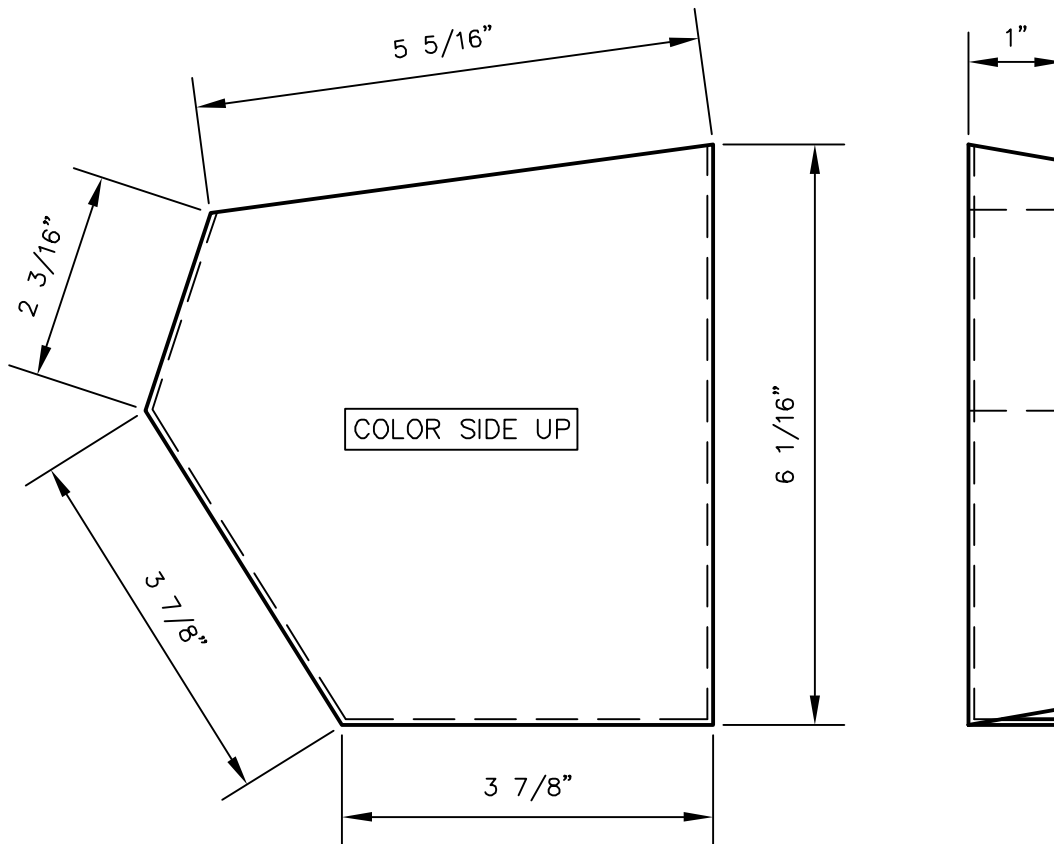
PANEL PROFILES	GAUGE
MASTERLOK-90	24
MASTERLOK-FS	24
MAXIMA 3"	24

GUTTER

(FOR 2:12 TO 4:12 PITCH)

6-25-13 rev.
 9-27-11 rev.
 1-07-94

GIRTH: 22 1/2"
 BENDS: 90° UNLESS NOTED



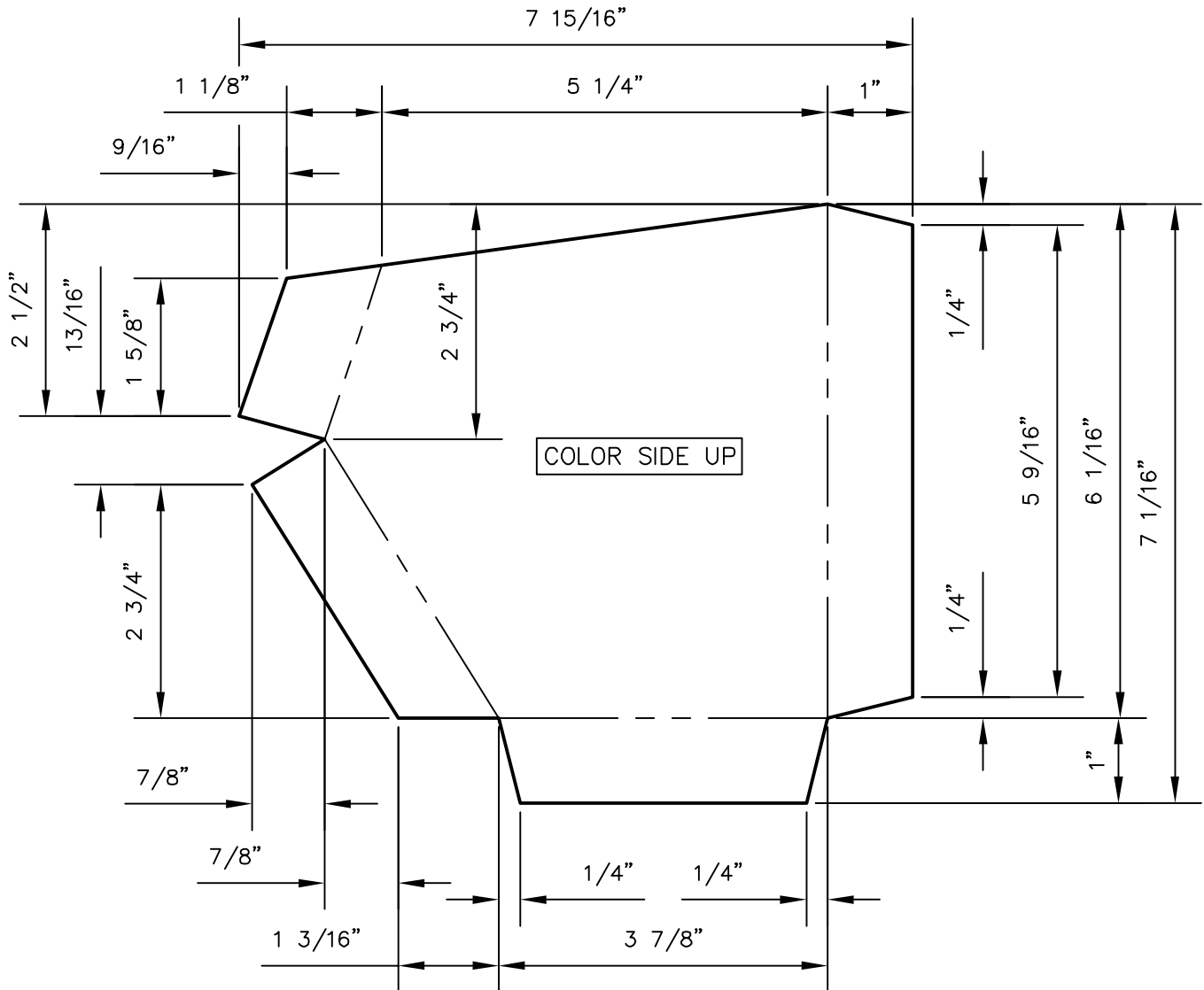
GUTTER END CAP - FINISHED

(RIGHT HAND SHOWN – LEFT HAND OPPOSITE)
(2:12 TO 4:12)

PANEL PROFILES	GAUGE
MASTERLOK-90	24 or 26
MASTERLOK-FS	24 or 26
MAXIMA 3"	24 or 26

8-22-13 rev.
9-27-11 rev.
1-07-94

GIRTH: SEE PATTERN: M9TW-0125
BENDS: SEE PATTERN: M9TW-0125



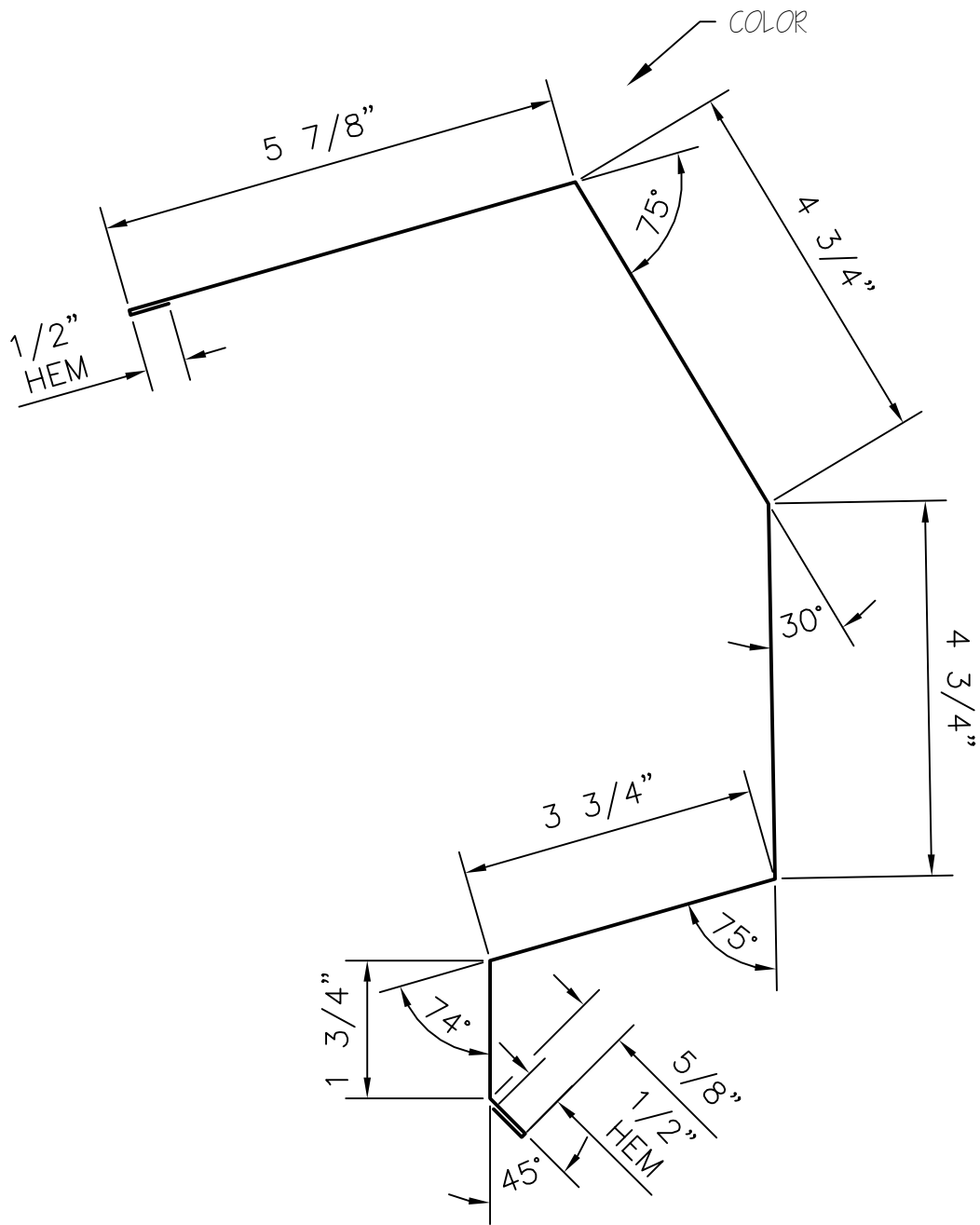
GUTTER END CAP - PATTERN

(RIGHT HAND SHOWN - LEFT HAND OPPOSITE)
(2:12 to 4:12)

PANEL PROFILES	GAUGE
MASTERLOK-90	24 or 26
MASTERLOK-FS	24 or 26
MAXIMA 3"	24 or 26

6-25-13 rev.
9-27-11 rev.
1-07-94

GIRTH: $7 \frac{15}{16}$ " X $7 \frac{1}{16}$ "
BENDS: DOWN 90°



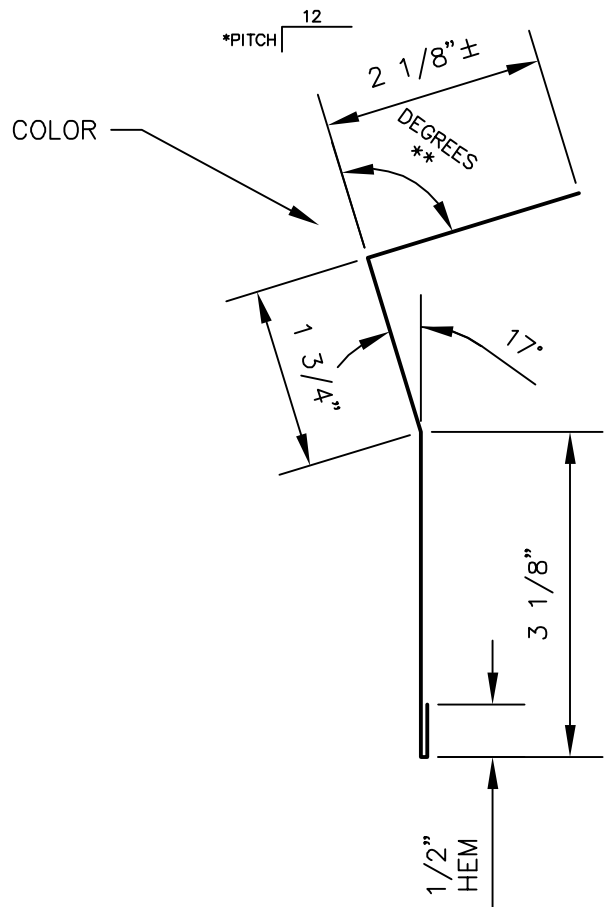
HIGH SIDE EAVE TRIM

(FOR 2:12 - 4:12 PITCH)

PANEL PROFILES	GAUGE
MASTERLOK-90	24
MASTERLOK-FS	24
MAXIMA 1.5"	24
MAXIMA 2"	24
MAXIMA 3"	24
MAXIMA ADV	24

3-31-15 rev.
 6-25-13 rev.
 4-29-11

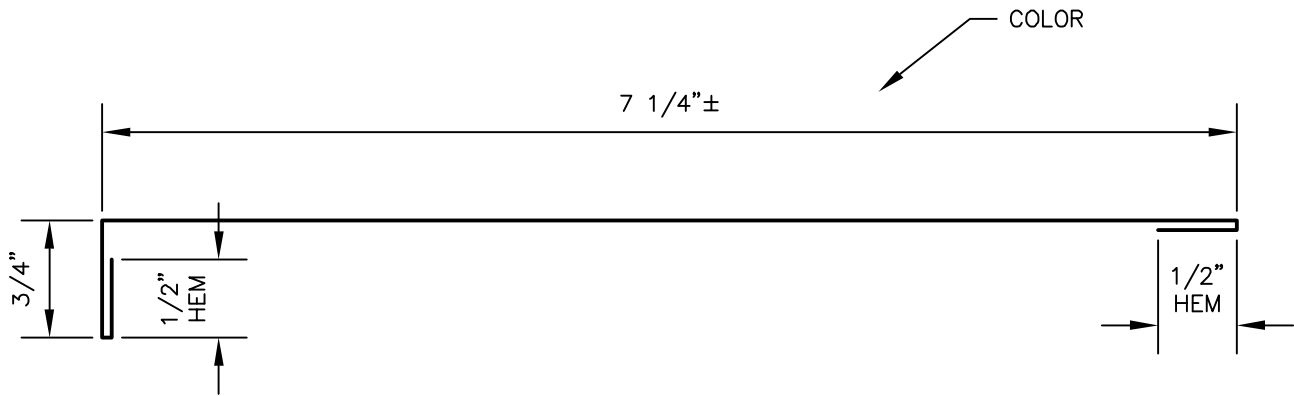
GIRTH: 22 1/2"
 BENDS: AS SPECIFIED



*PITCH	**DEGREES
1:12	104°
2:12	99°
3:12	94°
4:12	90°
5:12	86°
6:12	82°

PANEL PROFILES	GAUGE
MASTERLOK-90	24
MASTERLOK-FS	24
MAXIMA 1.5"	24
MAXIMA 2"	24
MAXIMA 3"	24
MAXIMA ADV	24

SIMPLE EAVE TRIM

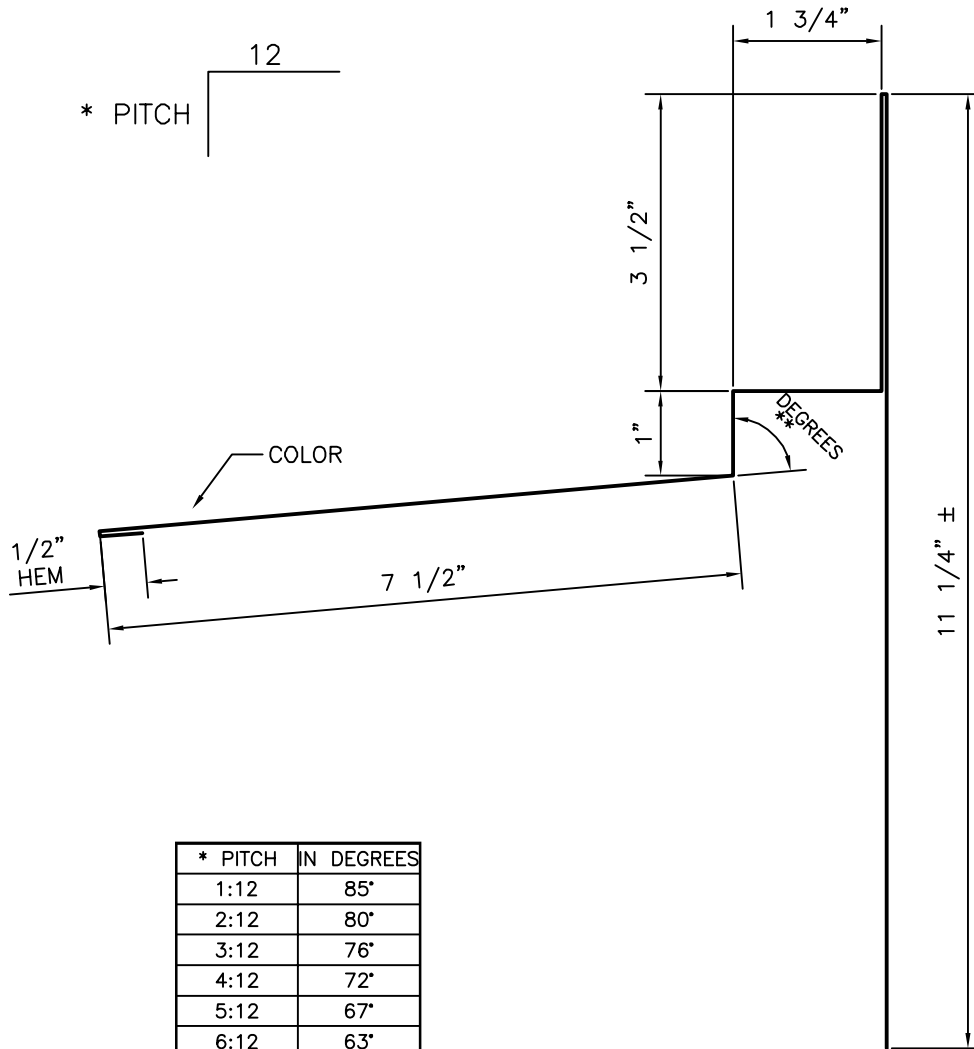


TERMINATION TRIM

PANEL PROFILES	GAUGE
MASTERLOK-90	24
MASTERLOK-FS	24

6-25-13 rev.
10-12-11 rev.
4-15-03 rev.
1-10-94

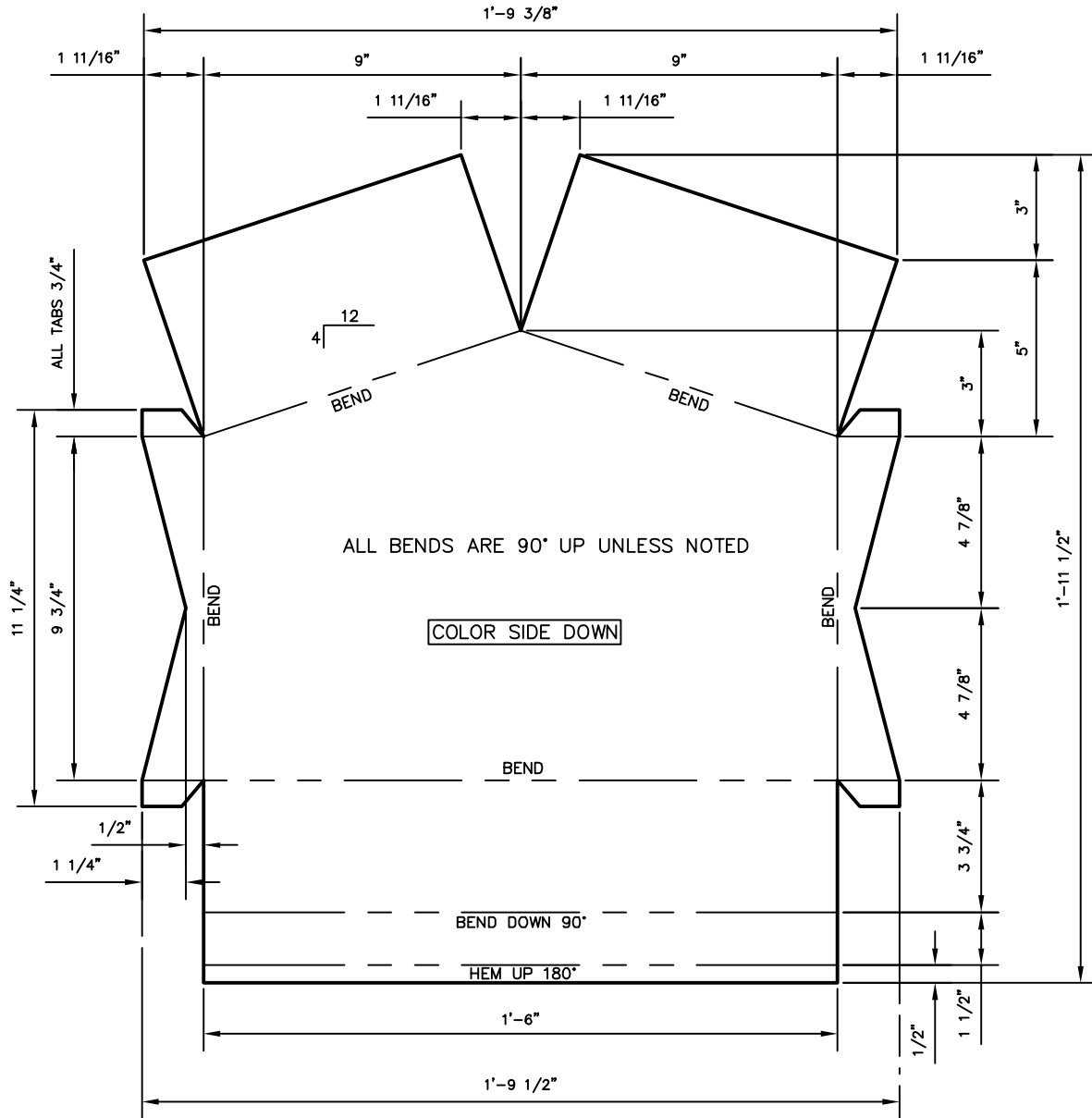
GIRTH: 9"
BENDS: 90°



* PITCH	IN DEGREES
1:12	85°
2:12	80°
3:12	76°
4:12	72°
5:12	67°
6:12	63°
7:12	59°
8:12	55°

HI-LOW TIE-IN TRIM

PANEL PROFILES	GAUGE
MASTERLOK-90	24
MASTERLOK-FS	24



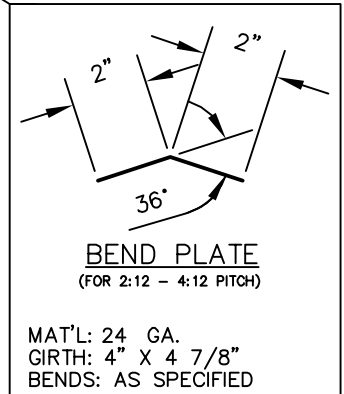
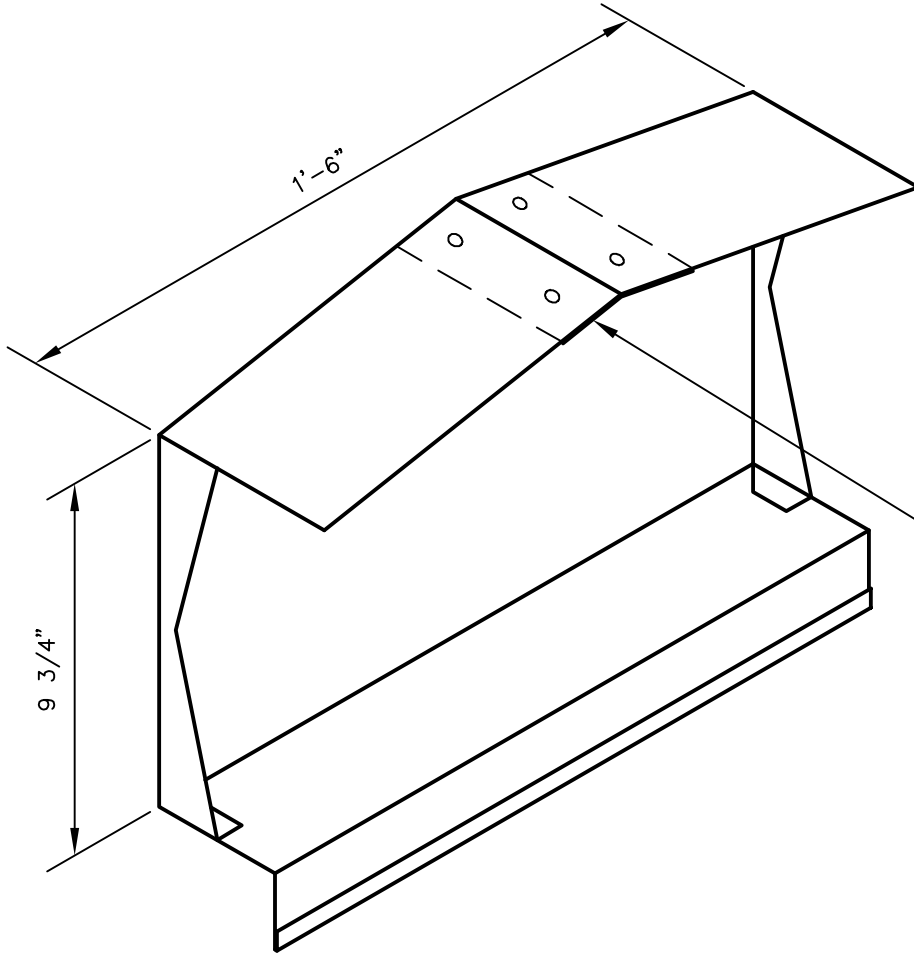
FIXED PEAK BOX (2:12 TO 4:12) - PATTERN

PANEL PROFILES	GAUGE
MASTERLOK-90	24
MASTERLOK-FS	24
MAXIMA 1.5"	24
MAXIMA 2"	24
MAXIMA 3"	24
MAXIMA ADV	24

3-31-15 rev.
 6-25-13 rev.
 7-26-11 rev.
 1-10-94

GIRTH: 1'-9 1/2" X 1'-11 1/2"
 BENDS: 90° AND AS SPECIFIED

241A



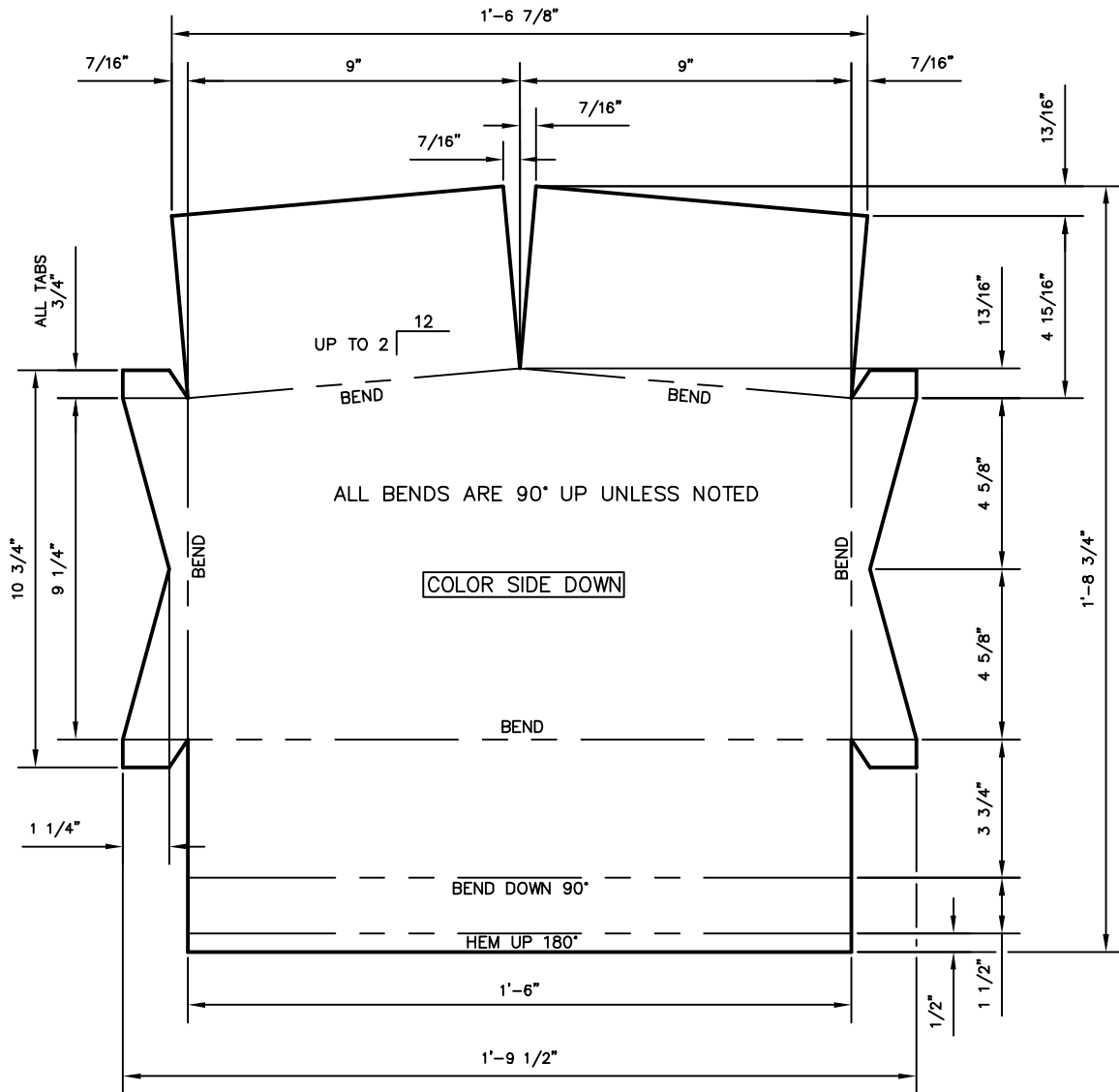
FIXED PEAK BOX - FINISHED

(FOR 2:12 TO 4:12)

PANEL PROFILES	GAUGE
MASTERLOK-90	24
MASTERLOK-FS	24
MAXIMA 1.5"	24
MAXIMA 2"	24
MAXIMA 3"	24
MAXIMA ADV	24

3-31-15 rev.
 6-25-13 rev.
 7-26-11 rev.
 2-20-04

GIRTH: SEE PATTERN: M9TW-0130
 BENDS: SEE PATTERN: M9TW-0130



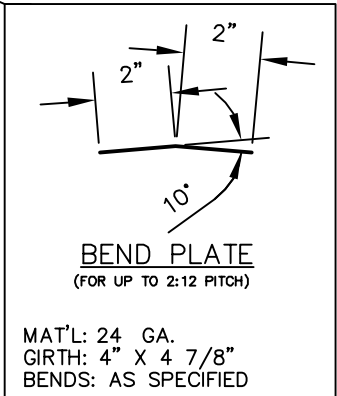
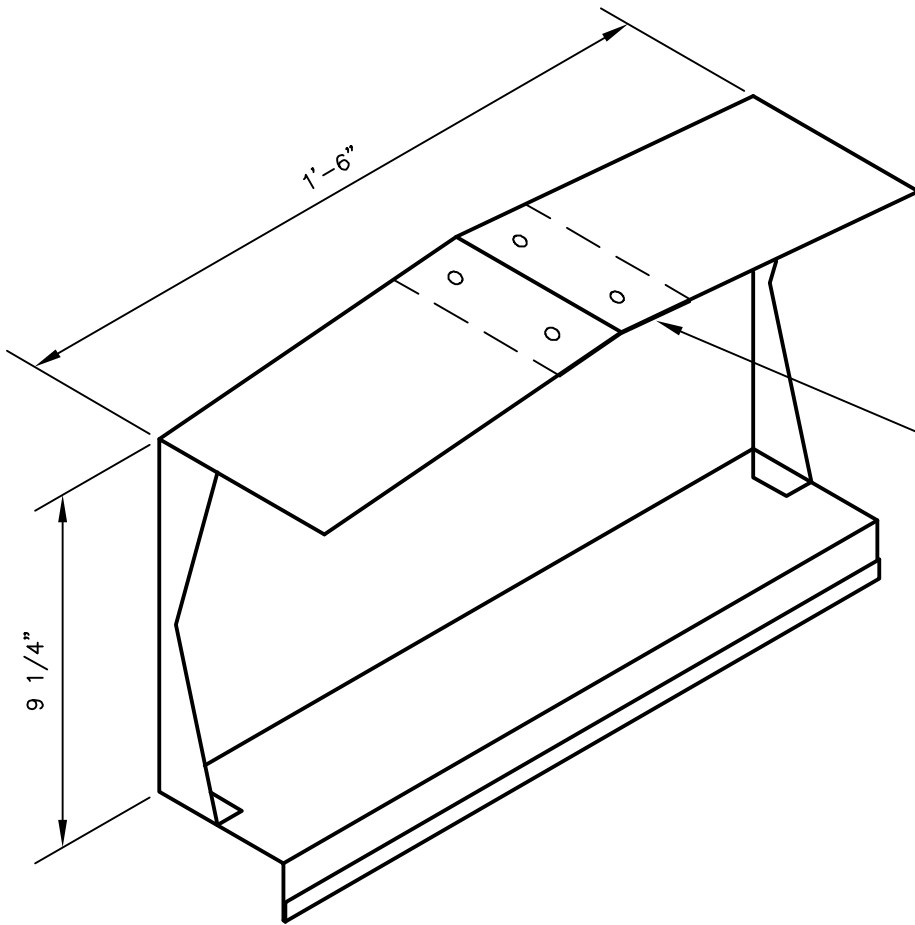
FIXED PEAK BOX (UP TO 2:12) - PATTERN

PANEL PROFILES	GAUGE
MASTERLOK-90	24
MASTERLOK-FS	24
MAXIMA 1.5"	24
MAXIMA 2"	24
MAXIMA 3"	24
MAXIMA ADV	24

3-31-15 rev.
 6-25-13 rev.
 7-26-11 rev.
 1-10-94

GIRTH: 1'-9 1/2" X 1'-8 3/4"
 BENDS: 90° AND AS SPECIFIED

239A



FIXED PEAK BOX - FINISHED

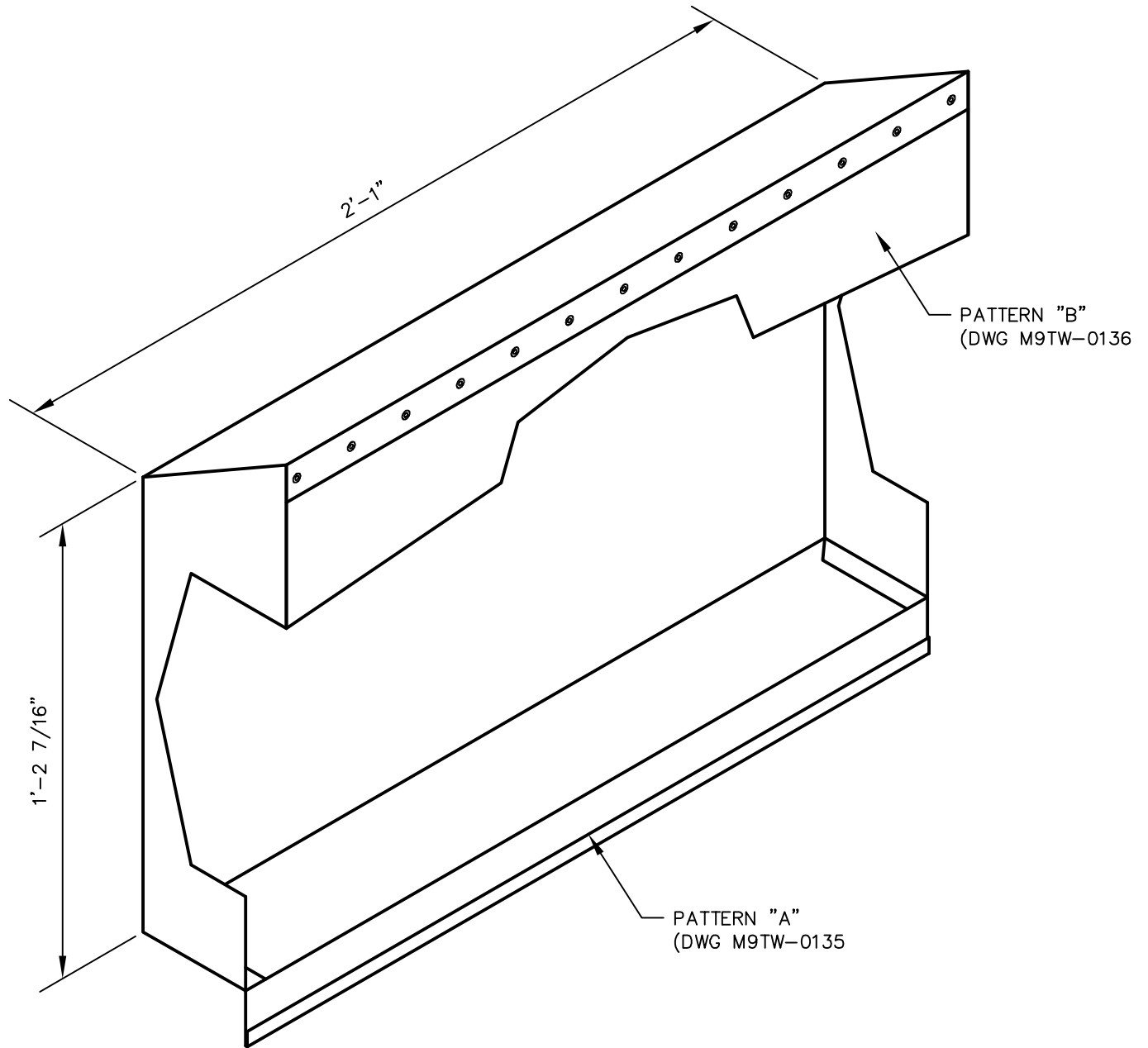
(FOR UP TO 2:12)

PANEL PROFILES	GAUGE
MASTERLOK-90	24
MASTERLOK-FS	24
MAXIMA 1.5"	24
MAXIMA 2"	24
MAXIMA 3"	24
MAXIMA ADV	24

3-31-15 rev.
6-25-13 rev.
7-26-11 rev.
2-20-04

GIRTH: SEE PATTERN: M9TW-0132
BENDS: SEE PATTERN: M9TW-0132

243A



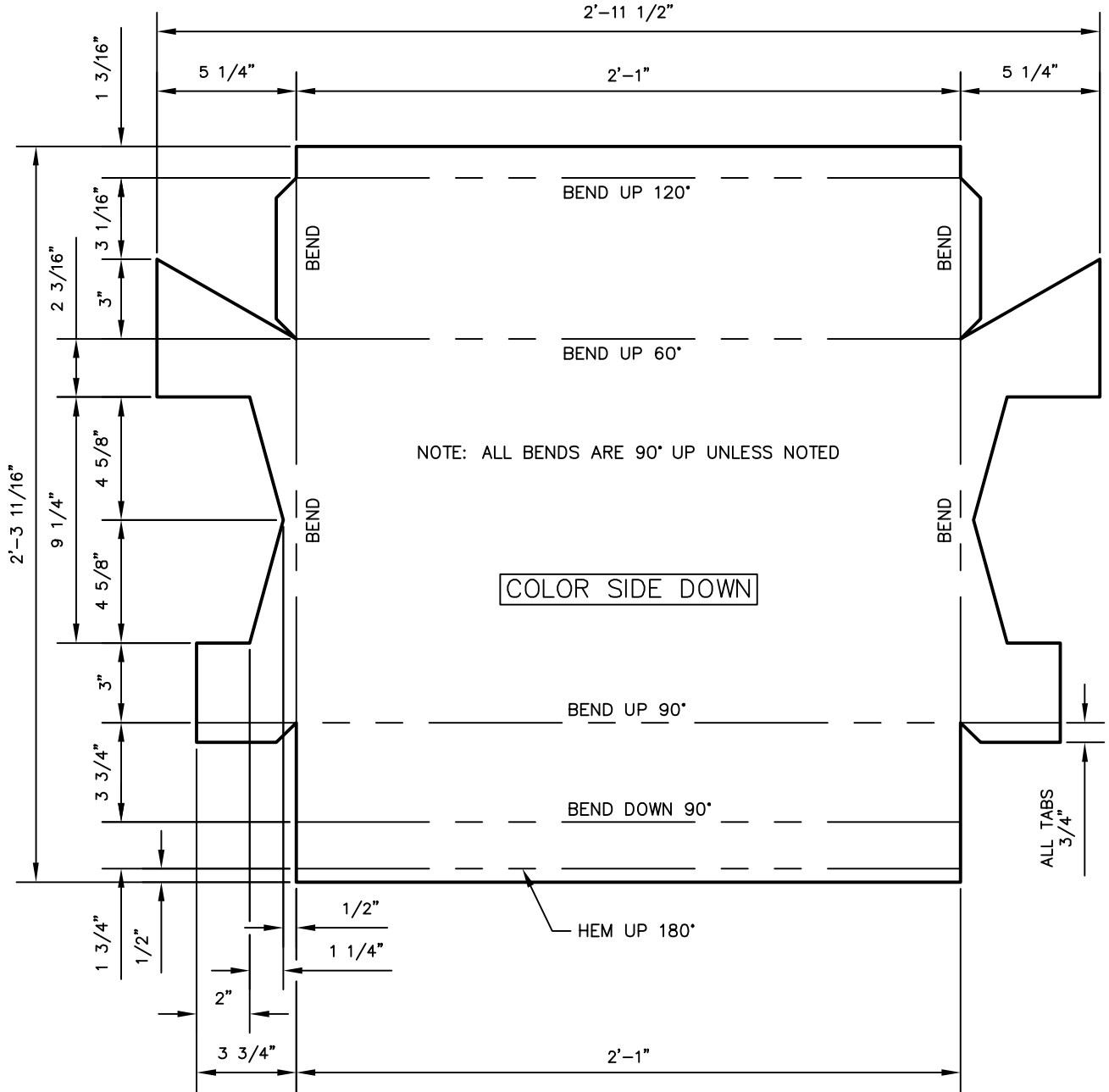
PANEL PROFILES	GAUGE
MASTERLOK-90	24
MASTERLOK-FS	24
MAXIMA 1.5"	24
MAXIMA 2"	24
MAXIMA 3"	24
MAXIMA ADV	24

FLOATING PEAK BOX - FINISHED

(FOR UP TO 2:12)

6-25-13 rev.
7-26-11 rev.
2-20-04

GIRTH: SEE PATTERN: M9TW-0135
BENDS: SEE PATTERN: M9TW-0135

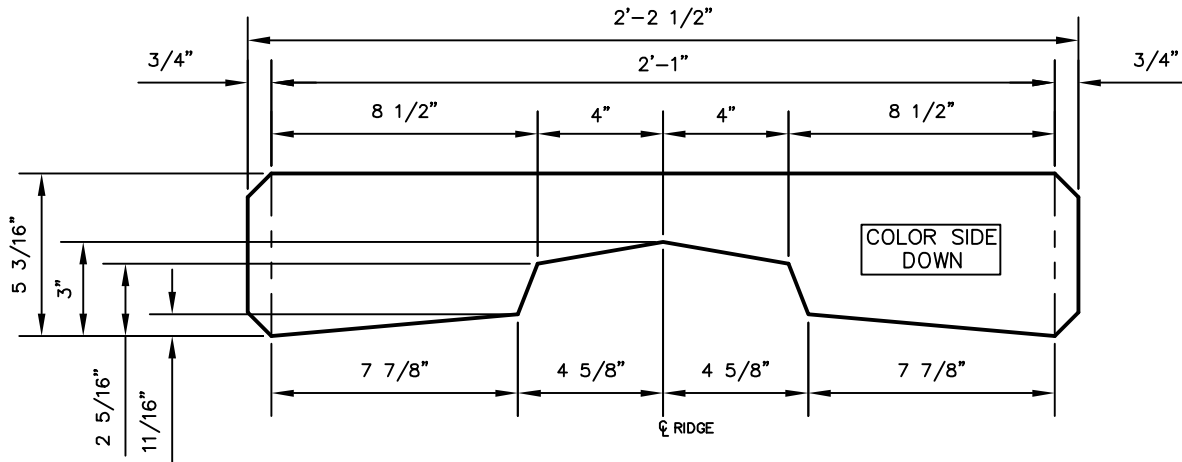


FLOATING PEAK BOX - PATTERN "A"
 (FOR UP TO 2:12 PITCH)

PANEL PROFILES	GAUGE
MASTERLOK-90	24
MASTERLOK-FS	24
MAXIMA 1.5"	24
MAXIMA 2"	24
MAXIMA 3"	24
MAXIMA ADV	24

6-25-13 rev.
 7-26-11 rev.
 1-10-94

GIRTH: 2'-3 11/16" X 2'-11 1/2"
 BENDS: 90° AND AS SPECIFIED

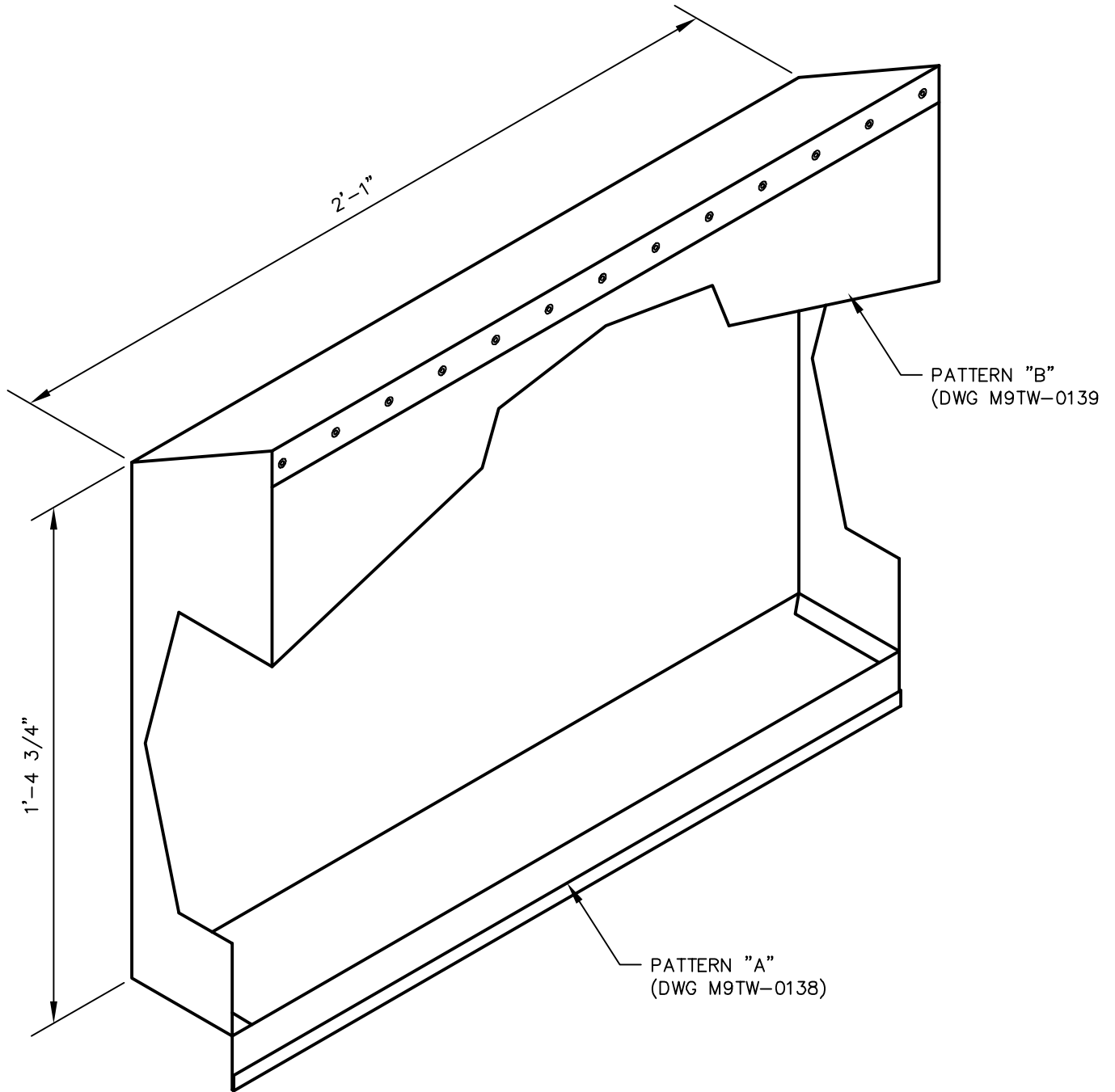


FLOATING PEAK BOX - PATTERN "B"
 (FOR UP TO 2:12 PITCH)

PANEL PROFILES	GAUGE
MASTERLOK-90	24
MASTERLOK-FS	24
MAXIMA 1.5"	24
MAXIMA 2"	24
MAXIMA 3"	24
MAXIMA ADV	24

6-25-13 rev.
 7-26-11 rev.
 1-10-94

GIRTH: 5 3/16" X 2'-2 1/2"
 BENDS: UP 90°



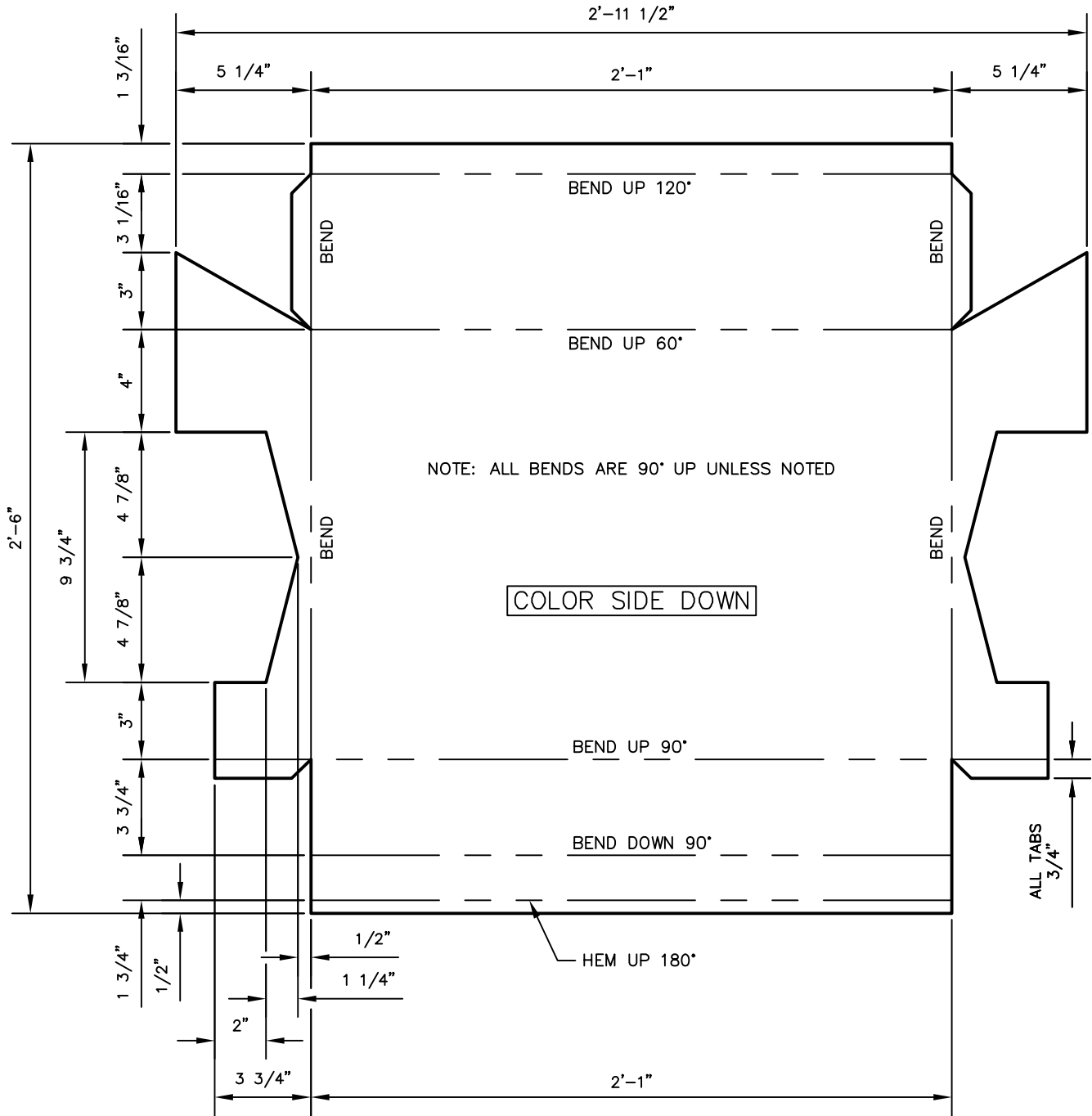
PANEL PROFILES	GAUGE
MASTERLOK-90	24
MASTERLOK-FS	24
MAXIMA 1.5"	24
MAXIMA 2"	24
MAXIMA 3"	24
MAXIMA ADV	24

FLOATING PEAK BOX - FINISHED

(FOR 2:12 TO 4:12)

6-25-13 rev.
7-26-11 rev.
2-20-04

GIRTH: SEE PATTERN: M9TW-0138 & M9TW-0139
BENDS: SEE PATTERN: M9TW-0138 & M9TW-0139



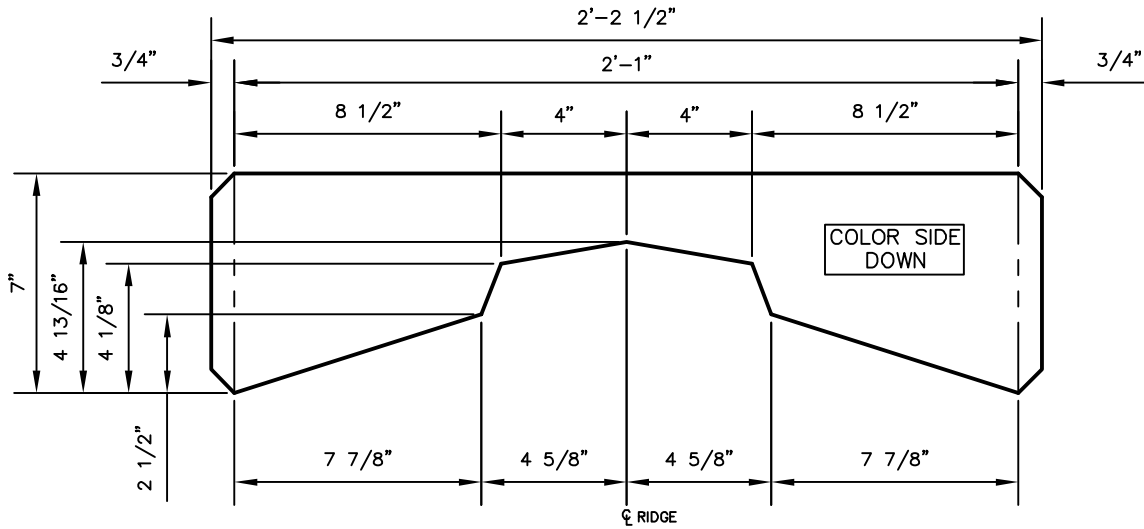
FLOATING PEAK BOX - PATTERN "A"

(FOR 2:12 TO 4:12 PITCH)

PANEL PROFILES	GAUGE
MASTERLOK-90	24
MASTERLOK-FS	24
MAXIMA 1.5"	24
MAXIMA 2"	24
MAXIMA 3"	24
MAXIMA ADV	24

6-25-13 rev.
 7-26-11 rev.
 1-10-94

GIRTH: 2'-6" X 2'-11 1/2"
 BENDS: 90° AND AS SPECIFIED



FLOATING PEAK BOX - PATTERN "B"

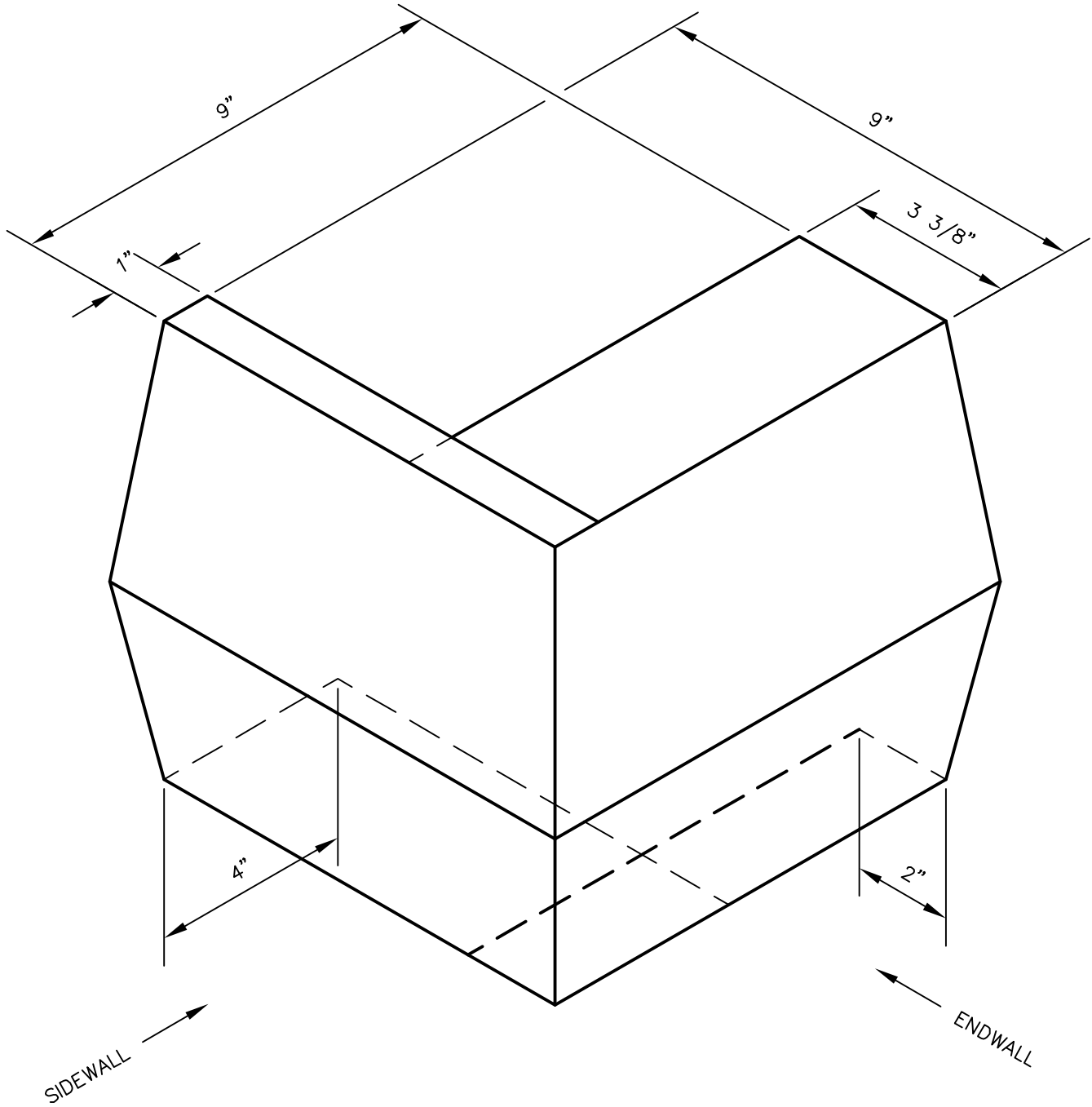
(FOR 2:12 TO 4:12 PITCH)

PANEL PROFILES	GAUGE
MASTERLOK-90	24
MASTERLOK-FS	24
MAXIMA 1.5"	24
MAXIMA 2"	24
MAXIMA 3"	24
MAXIMA ADV	24

193A



PANEL PROFILES	GAUGE
MASTERLOK-90	24 or 26
MASTERLOK-FS	24 or 26
MAXIMA 1.5"	24 or 26
MAXIMA 2"	24 or 26
MAXIMA 3"	24 or 26
MAXIMA ADV	24 or 26

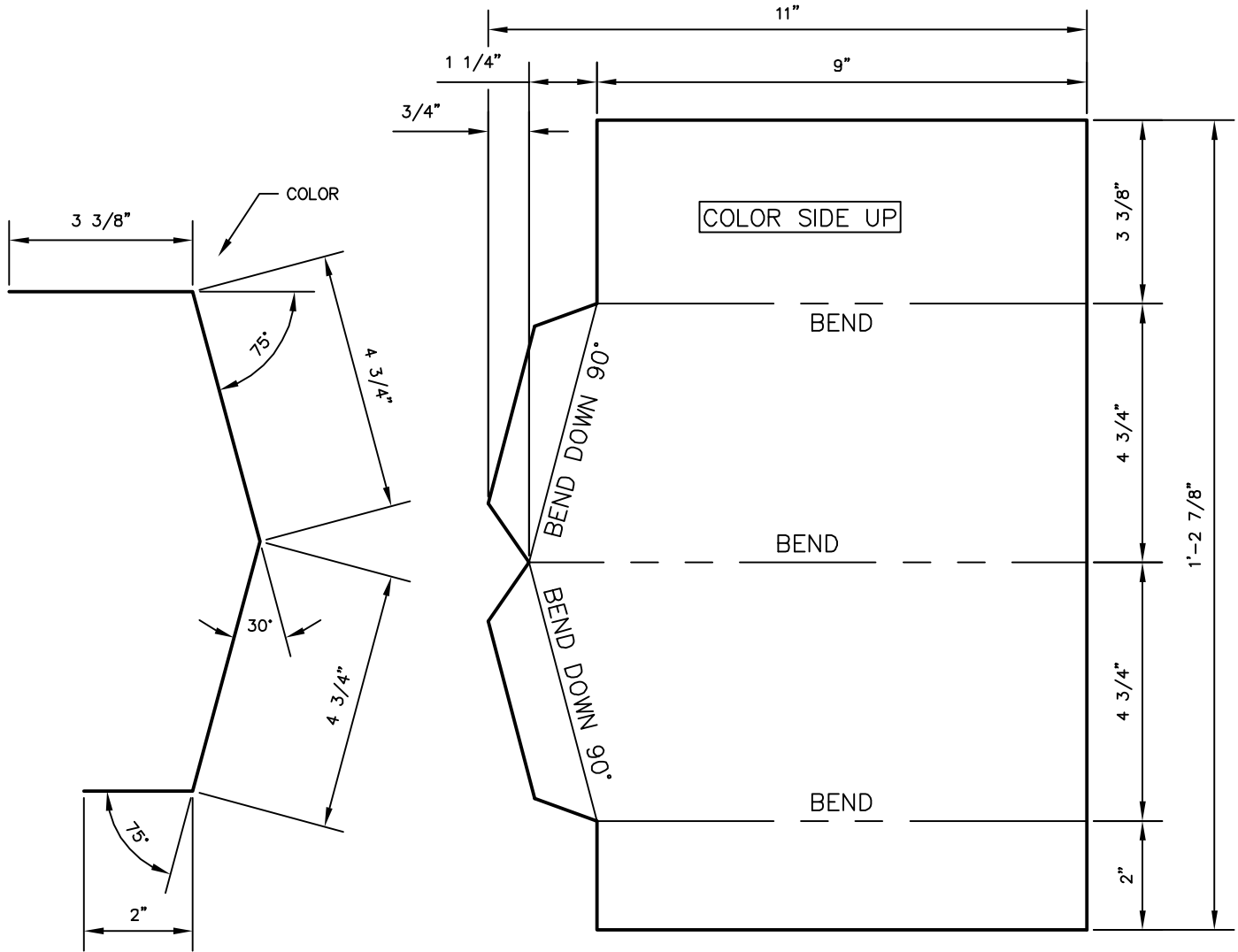


OUTSIDE CORNER BOX for STANDARD GUTTER- FINISHED

(RIGHT HAND SHOWN)
(LEFT HAND OPP.)
(UP TO 2:12 PITCH)

4-20-15 rev.
7-26-11 rev.
3-16-94

GIRTH: SEE PATTERN M9TW-0141 & M9TW-0142
BENDS: SEE PATTERN M9TW-0141 & M9TW-0142



OUTSIDE CORNER BOX for STANDARD GUTTER - RAKE PATTERN

(FOR UP TO 2:12 PITCH)

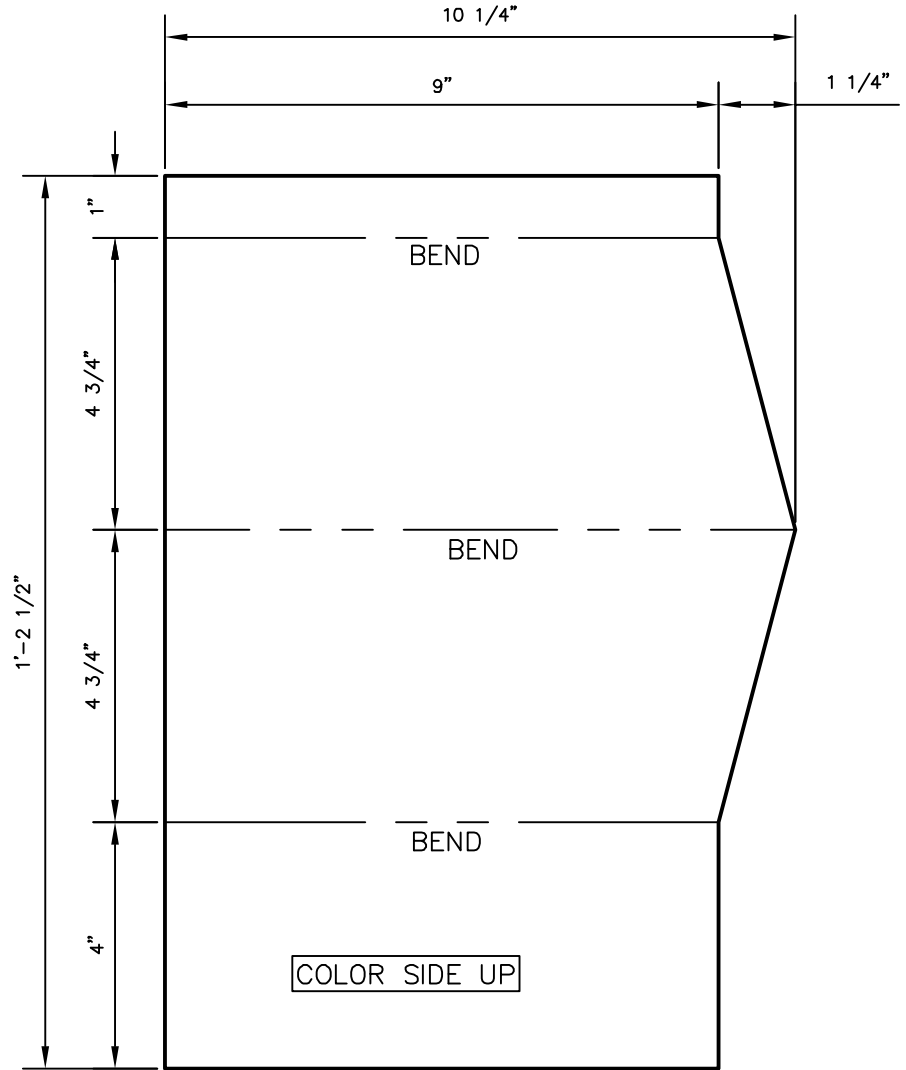
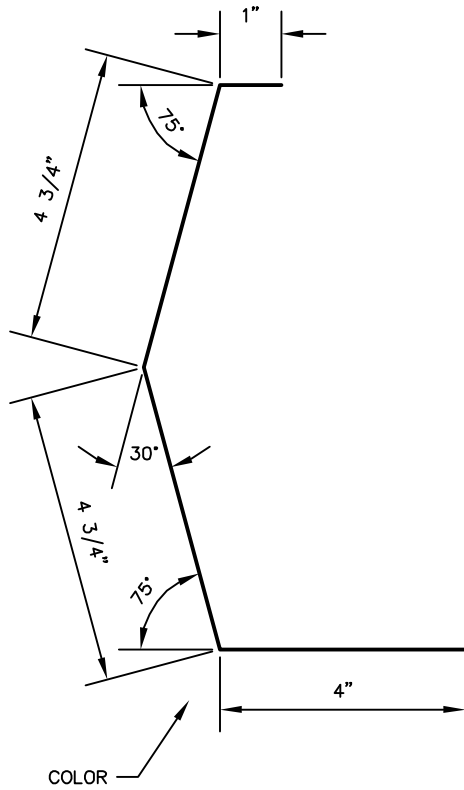
(ASSEMBLE 1 R.H. & 1 L.H.)

(RIGHT HAND SHOWN - LEFT HAND OPP.)

PANEL PROFILES	GAUGE
MASTERLOK-90	24 or 26
MASTERLOK-FS	24 or 26
MAXIMA 1.5"	24 or 26
MAXIMA 2"	24 or 26
MAXIMA 3"	24 or 26
MAXIMA ADV	24 or 26

4-20-15 rev.
7-26-11 rev.
3-16-94

GIRTH: 1'-2 7/8" X 11"
BENDS: DOWN 90° AND AS SPECIFIED



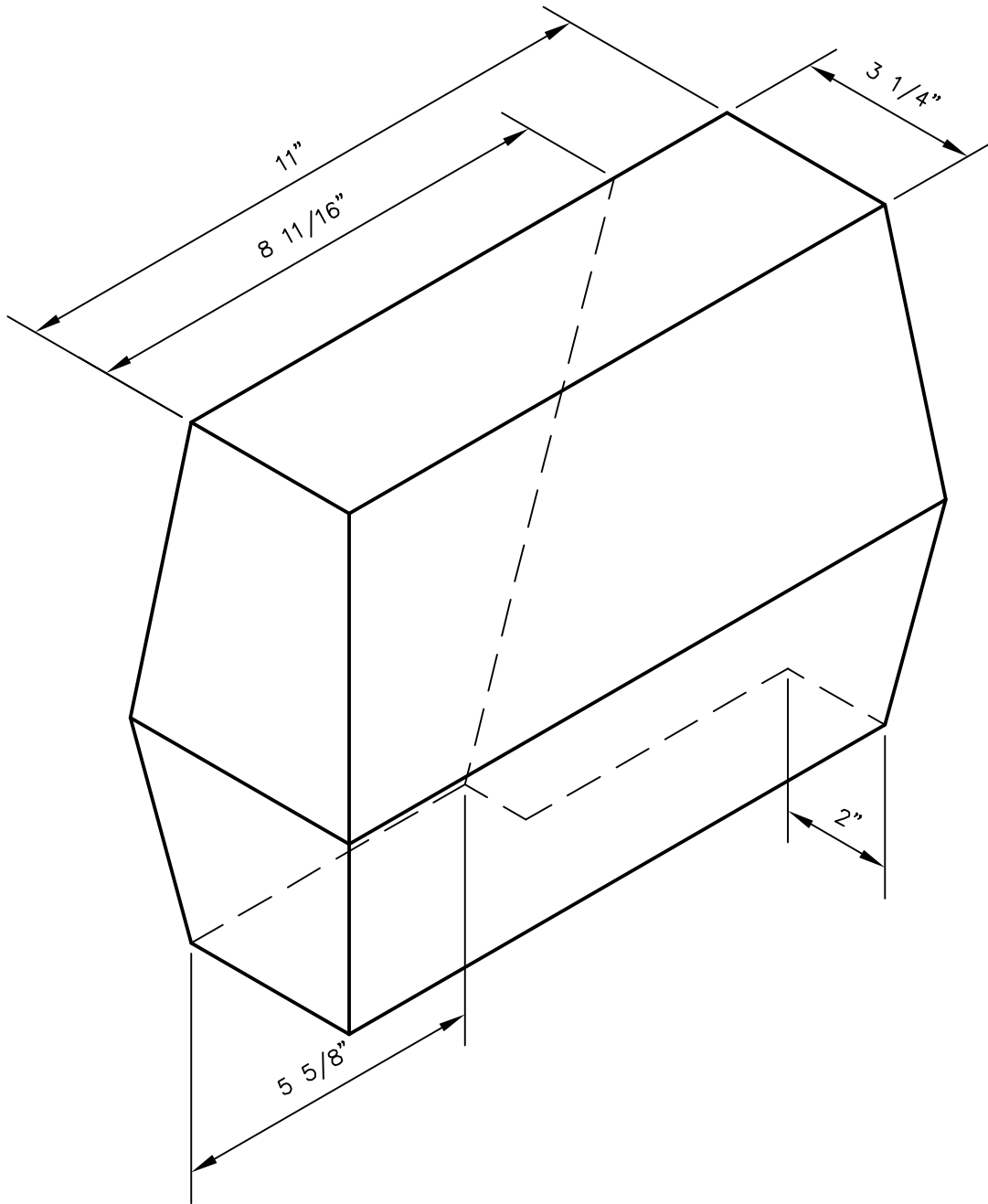
OUTSIDE CORNER BOX for STANDARD GUTTER - EAVE PATTERN

(FOR UP TO 2:12 PITCH)
 (ASSEMBLE 1 R.H. & 1 L.H.)
 (RIGHT HAND SHOWN - LEFT HAND OPP.)

PANEL PROFILES	GAUGE
MASTERLOK-90	24 or 26
MASTERLOK-FS	24 or 26
MAXIMA 1.5"	24 or 26
MAXIMA 2"	24 or 26
MAXIMA 3"	24 or 26
MAXIMA ADV	24 or 26

4-20-15 rev.
 7-26-11 rev.
 3-16-94

GIRTH: 10 1/4" X 1'-2 1/2"
 BENDS: AS SPECIFIED



OUTSIDE CORNER BOX for STANDARD GUTTER - FINISHED

(RIGHT HAND SHOWN)
 (LEFT HAND OPP.)
 (2:12 - 4:12 PITCHES)

PANEL PROFILES	GAUGE
MASTERLOK-90	24 or 26
MASTERLOK-FS	24 or 26
MAXIMA 1.5"	24 or 26
MAXIMA 2"	24 or 26
MAXIMA 3"	24 or 26
MAXIMA ADV	24 or 26

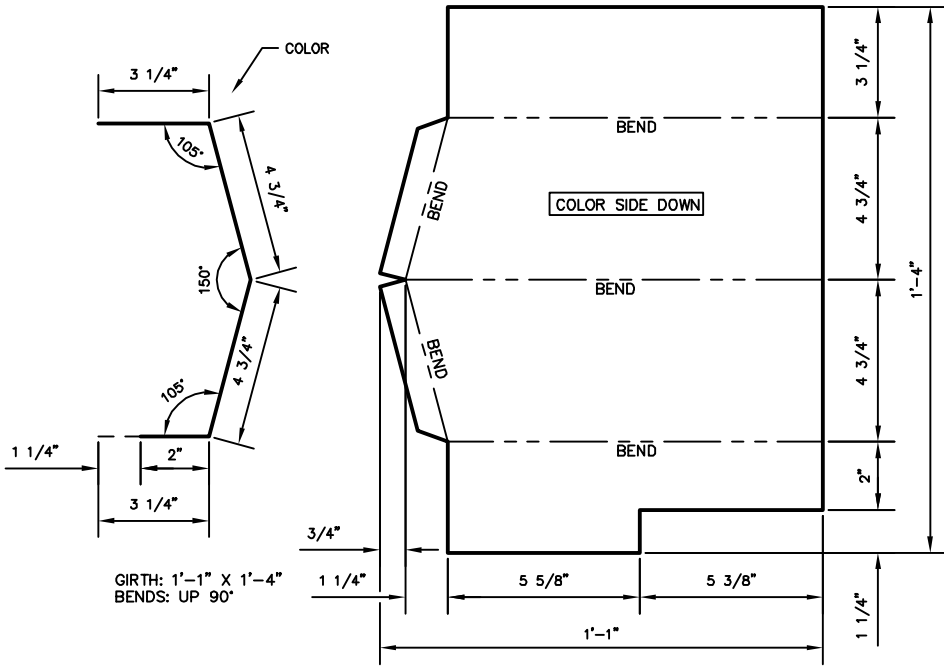
4-20-15 rev.
 7-26-11 rev.
 3-17-94

GIRTH: SEE PATTERN M9TW-0144
 BENDS: SEE PATTERN M9TW-0144

196B

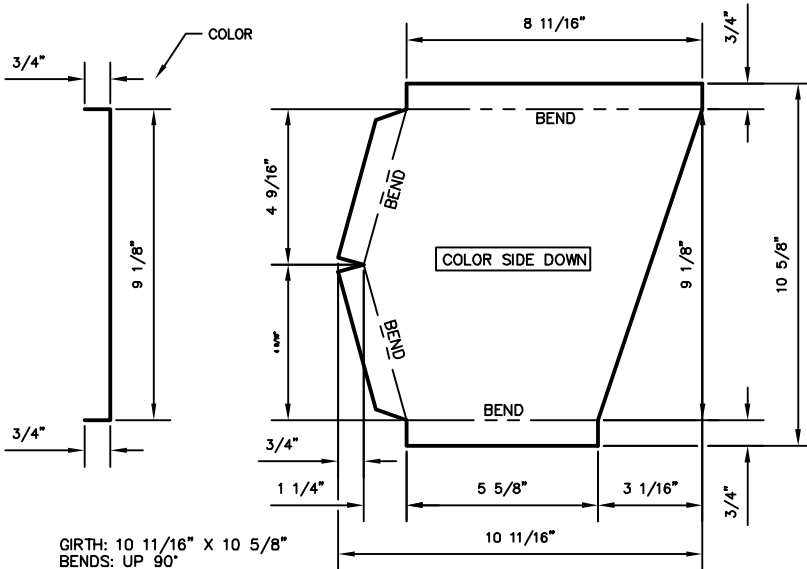
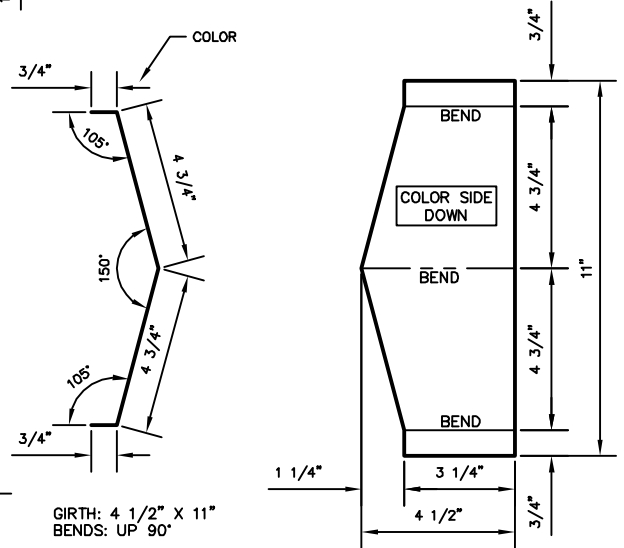
196C

196D



OUTSIDE CORNER BOX for STANDARD GUTTER - PATTERN

(R.H. SHOWN - L.H. OPP.)
(FOR 2:12 TO 4:12 PITCH)



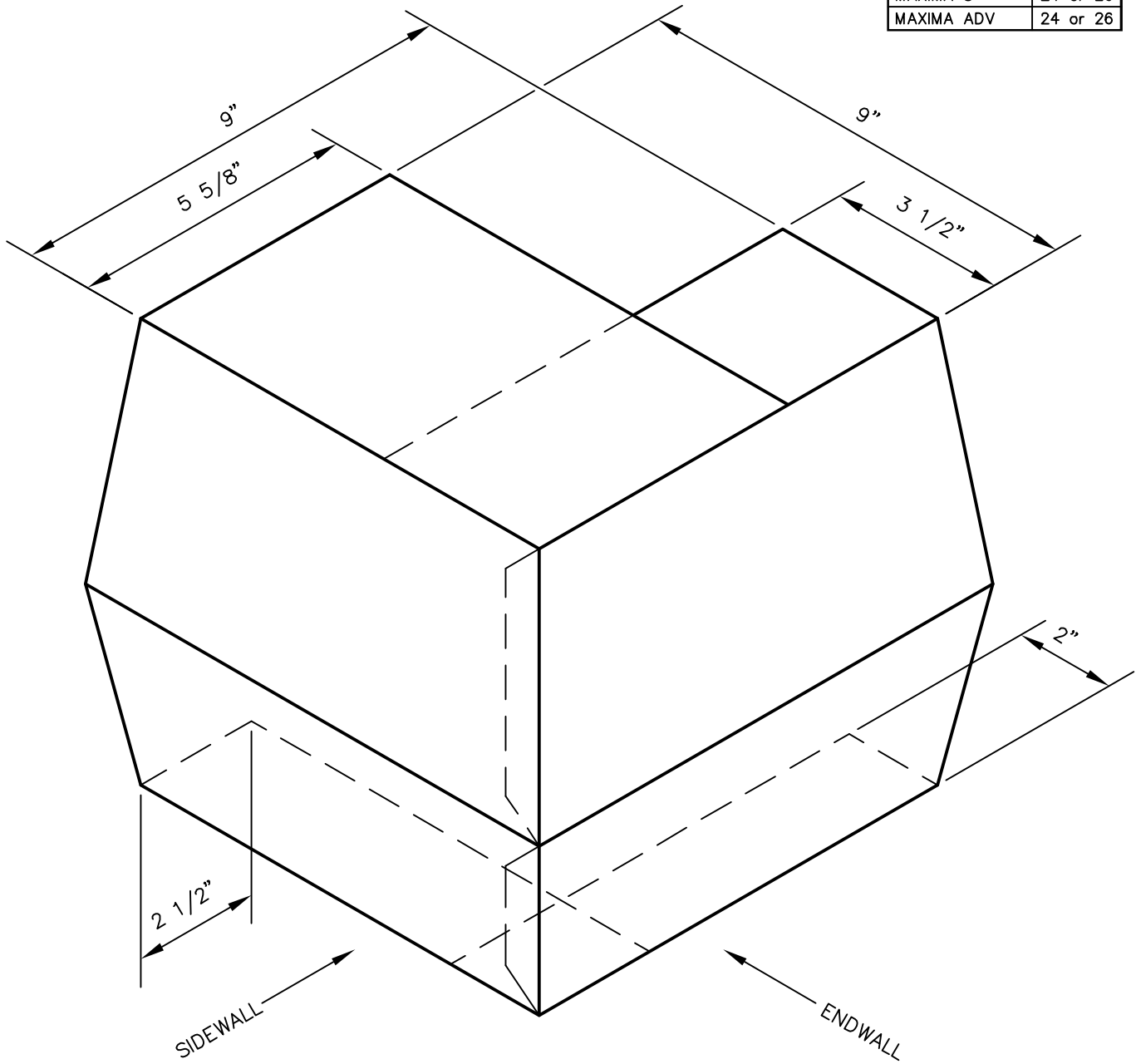
PANEL PROFILES	GAUGE
MASTERLOK-90	24 or 26
MASTERLOK-FS	24 or 26
MAXIMA 1.5"	24 or 26
MAXIMA 2"	24 or 26
MAXIMA 3"	24 or 26
MAXIMA ADV	24 or 26

4-20-15 rev.
7-29-11 rev.
5-09-06 rev.
2-20-04

SEE FINISHED: M9TW-0143



PANEL PROFILES	GAUGE
MASTERLOK-90	24 or 26
MASTERLOK-FS	24 or 26
MAXIMA 1.5"	24 or 26
MAXIMA 2"	24 or 26
MAXIMA 3"	24 or 26
MAXIMA ADV	24 or 26

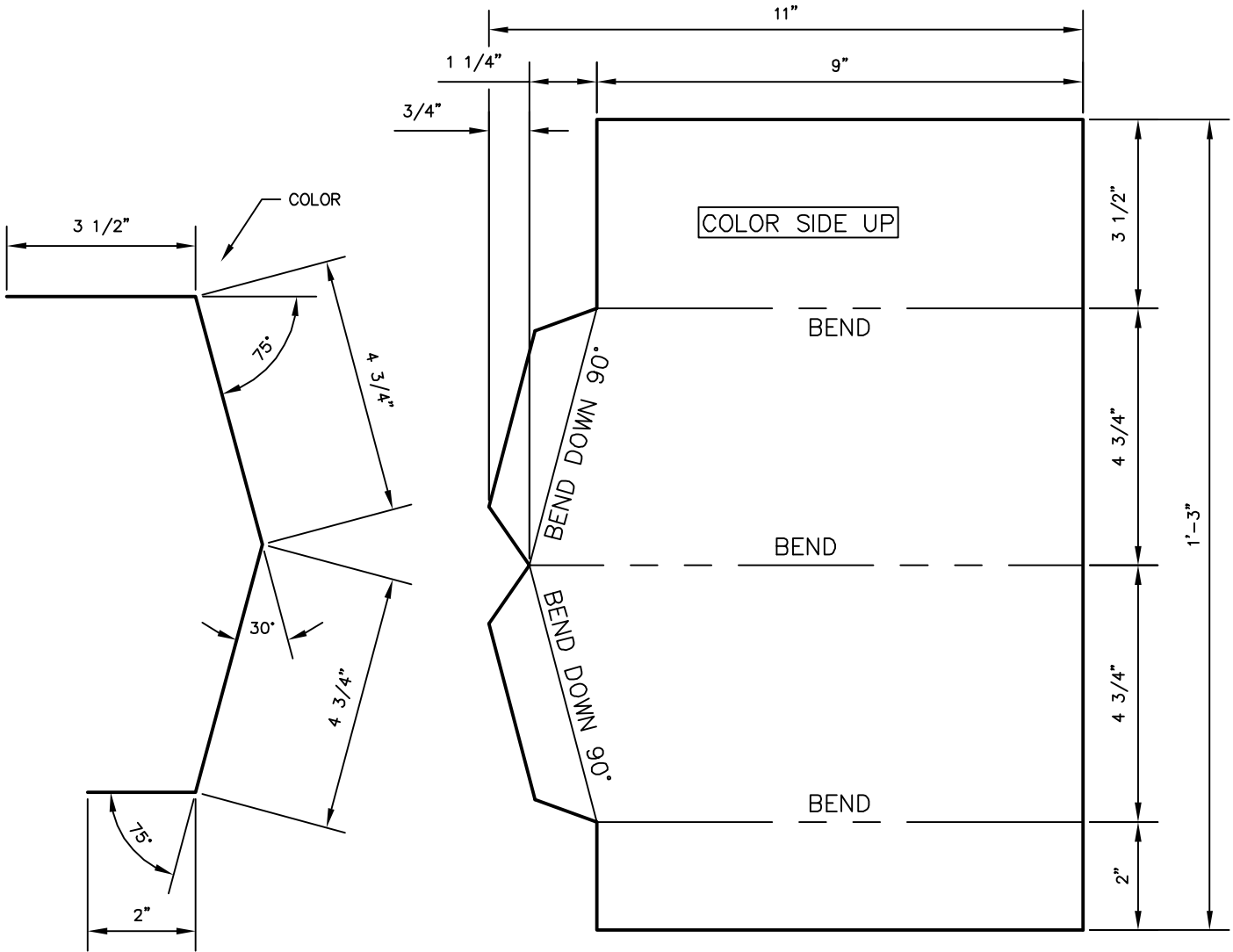


HIGH-SIDE CORNER BOX - FINISHED

(RIGHT HAND SHOWN)
(LEFT HAND OPP.)

11-4-13 rev.
7-26-11 rev.
5-9-06 rev.
2-20-04

GIRTH: SEE PATTERN M9TW-0148 & M9TW-0149
BENDS: SEE PATTERN M9TW-0148 & M9TW-0149



HIGH-SIDE CORNER BOX - RAKE PATTERN

(ASSEMBLE 1 R.H. & 1 L.H.)
 (RIGHT HAND SHOWN - LEFT HAND OPP.)

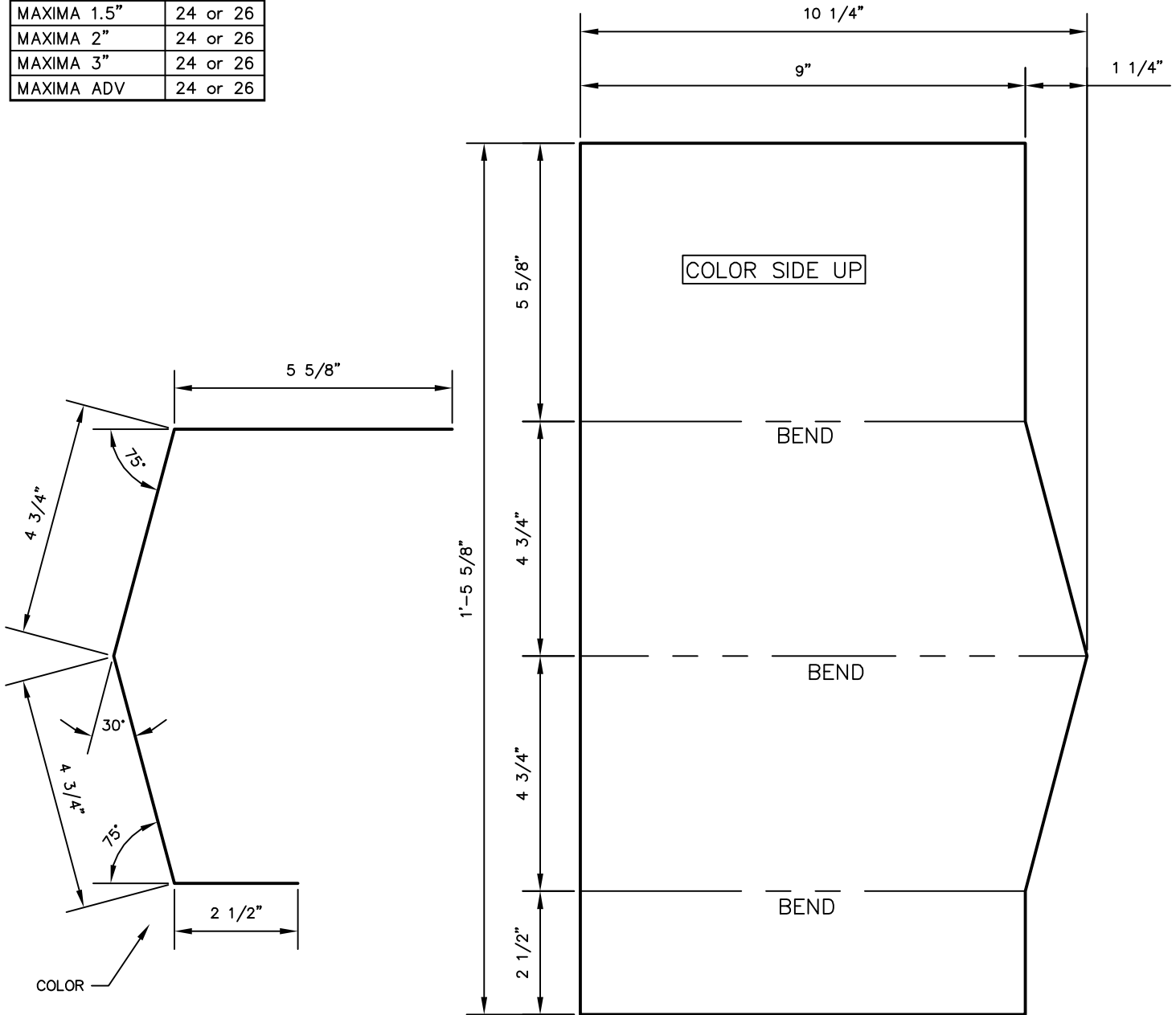
PANEL PROFILES	GAUGE
MASTERLOK-90	24 or 26
MASTERLOK-FS	24 or 26
MAXIMA 1.5"	24 or 26
MAXIMA 2"	24 or 26
MAXIMA 3"	24 or 26
MAXIMA ADV	24 or 26

8-26-13 rev.
 7-26-11 rev.
 3-16-94

GIRTH: 1'-3" X 11"
 BENDS: DOWN 90° AND AS SPECIFIED



PANEL PROFILES	GAUGE
MASTERLOK-90	24 or 26
MASTERLOK-FS	24 or 26
MAXIMA 1.5"	24 or 26
MAXIMA 2"	24 or 26
MAXIMA 3"	24 or 26
MAXIMA ADV	24 or 26

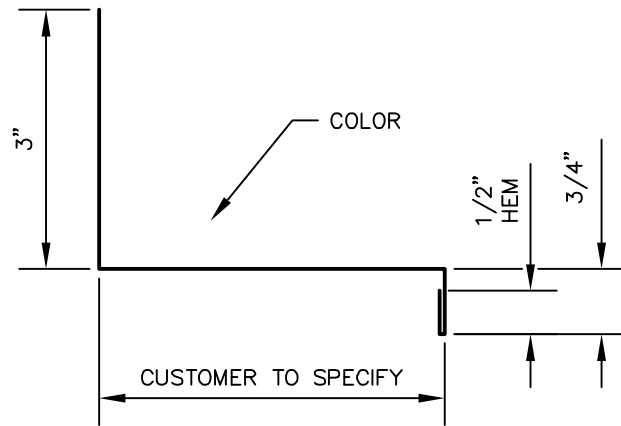


HIGH-SIDE CORNER BOX - EAVE PATTERN

(FOR UP TO 2:12 PITCH)
 (ASSEMBLE 1 R.H. & 1 L.H.)
 (RIGHT HAND SHOWN - LEFT HAND OPP.)

8-26-13 rev.
 7-26-11 rev.
 3-16-94

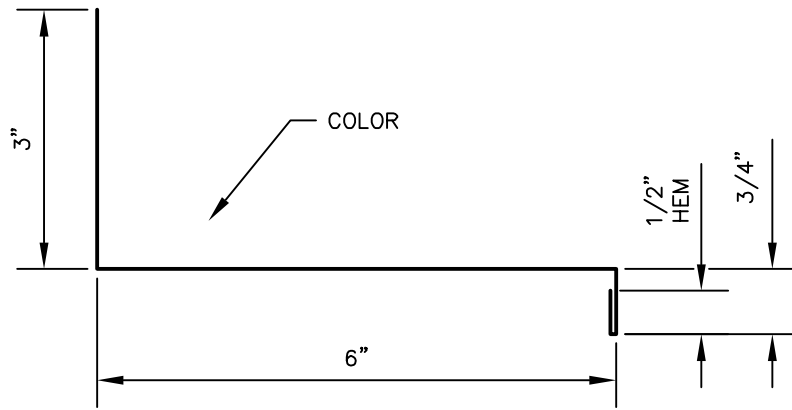
GIRTH: 10 1/4" X 1'-5 5/8"
 BENDS: UP 90°



RAKE TIE-IN TRIM

PANEL PROFILES	GAUGE
MASTERLOK-90	24
MASTERLOK-FS	24

GIRTH: T.B.D.
BENDS: 90° UNLESS SPECIFIED



ALT. RAKE TIE-IN TRIM

PANEL PROFILES	GAUGE
MASTERLOK-90	24
MASTERLOK-FS	24

GIRTH: 10 1/4"
BENDS: 90° UNLESS SPECIFIED