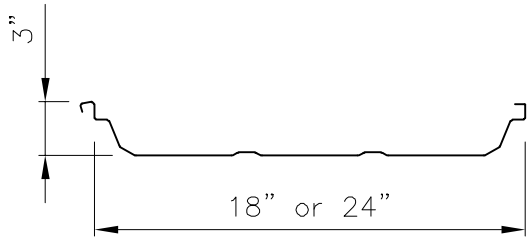


MasterLok-FS Panel

Product Data



MINOR RIB PROFILE
(Standard)

Applications

Mechanically Seamed roof panel used on slopes down to 1/4:12. Continuous length up to 50'. Please inquire for longer lengths.

Substrates

Plywood, Metal Deck, Rigid Insulation/Metal Deck or Open Framing. Best suited for simple sloped roofs without dormers, hips, valleys or other special conditions.

Material

Standard - 24 GA. ASTM A792 (50 ksi steel) AZ55 - Bare
AZ50 - Painted
Optional - 22 GA. ASTM A792 (50 ksi steel) AZ55 - Bare
AZ50 - Painted

Manufacturing

Roll formed in factory. (Bossier Plant Only)

Finishes

Acrylic Coated Galvalume®
Fluoropolymer (Kynar 500® PVDF resin-based)

Pan Conditions

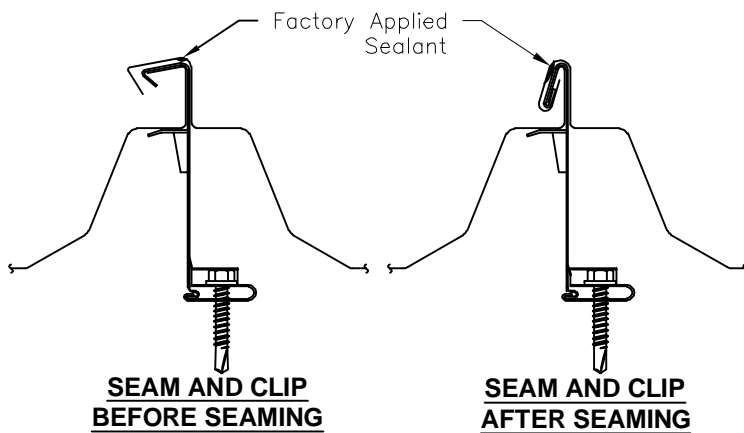
Minor Ribs
Oil canning is inherent in all metal panels and is not cause for panel rejection.

Testing *

Uplift: UL 580 Class 90, ASTM E1592
Air & Water Infiltration: ASTM E1680, and ASTM E1646.
Fire Resistance: UL790 Class A
Impact Testing: UL2218 Class 4
FM Approval
Florida Product Approval: FL 8051.1
Testing and Approvals are product specific. Please inquire for details

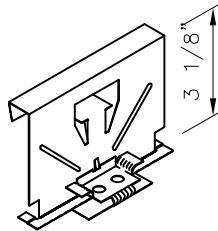
NOTE:

All data represented on this sheet may not be applicable to all widths and gauges. Please contact McElroy Metal for more information.



SEAM AND CLIP BEFORE SEAMING

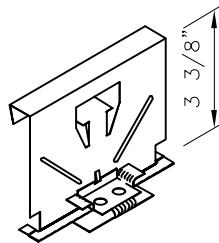
SEAM AND CLIP AFTER SEAMING



UTILITY FLOATING CLIP

2-Piece

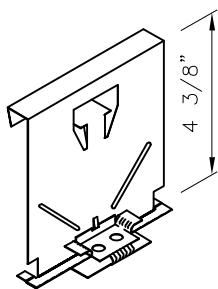
Clip: 22 GA. Galvanized G90 - ASTM A653 (50 ksi)
Base: 16 GA. Galvanized G90 - ASTM A653 (50 ksi)



LOW FLOATING CLIP

2-Piece

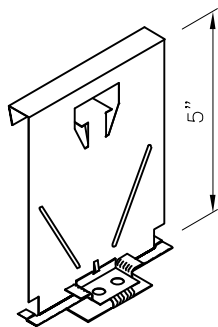
Clip: 22 GA. Galvanized G90 - ASTM A653 (50 ksi)
Base: 16 GA. Galvanized G90 - ASTM A653 (50 ksi)



HIGH FLOATING CLIP

2-Piece

Clip: 22 GA. Galvanized G90 - ASTM A653 (50 ksi)
Base: 16 GA. Galvanized G90 - ASTM A653 (50 ksi)

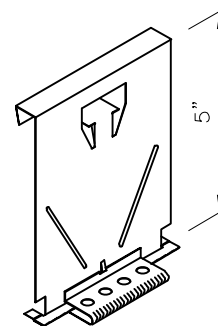


TALL FLOATING CLIP

(2 HOLE BASE)

2-Piece

Clip: 22 GA. Galvanized G90 - ASTM A653 (50 ksi)
Base: 16 GA. Galvanized G90 - ASTM A653 (50 ksi)



TALL FLOATING CLIP

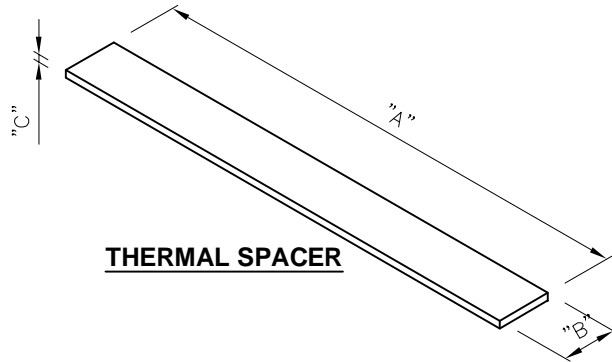
(4 HOLE BASE)

2-Piece

Clip: 22 GA. Galvanized G90 - ASTM A653 (50 ksi)
Base: 16 GA. Galvanized G90 - ASTM A653 (50 ksi)
NOTE - THIS CLIP IS A NON-STOCK ITEM AND WILL REQUIRE LONGER LEAD TIMES FOR DELIVERY

MasterLok-FS Panel (Continued)

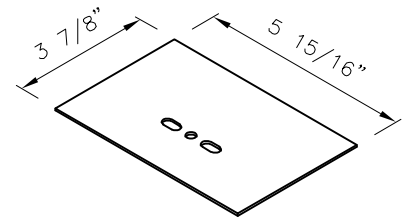
Product Data



THERMAL SPACER

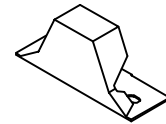
THERMAL SPACER SIZE CHART

PANEL	"A"	"B"	"C"
24"	22 7/8"	3"	3/8", 5/8", 1" or 1 3/8"



BEARING PLATE

16 GA.
RED PRIMED - ASTM A1011 (55 ksi)
GALVANIZED - ASTM A653 (55 ksi)



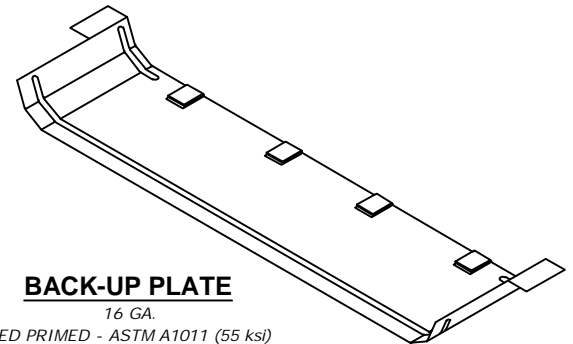
INSIDE CLOSURE

16 GA. - ASTM A653 (50 ksi)



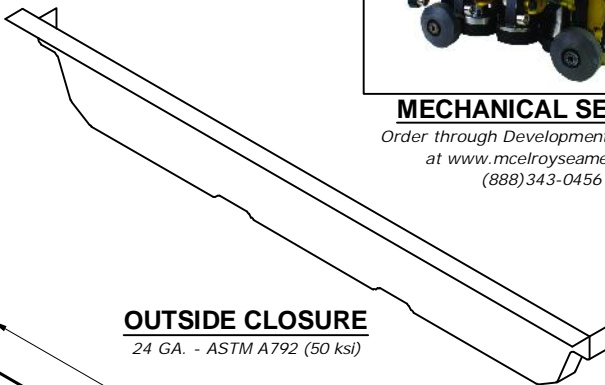
MECHANICAL SEAMER

Order through Developmental Industries
at www.mcelroyseamers.com
(888) 343-0456



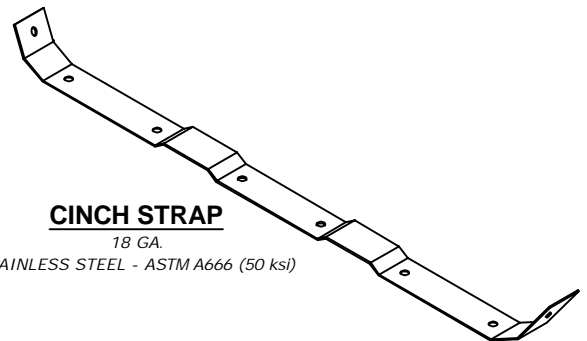
BACK-UP PLATE

16 GA.
RED PRIMED - ASTM A1011 (55 ksi)
GALVANIZED - ASTM A653 (55 ksi)



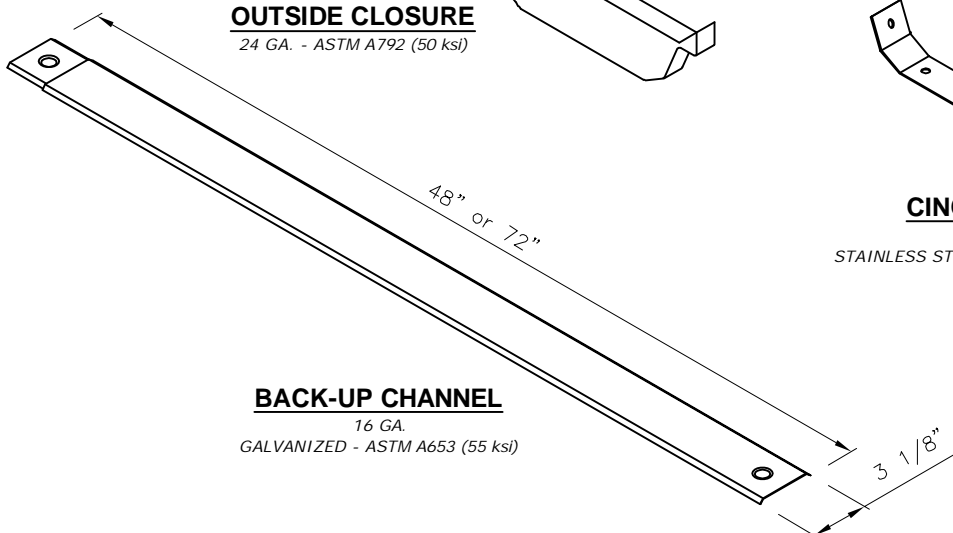
OUTSIDE CLOSURE

24 GA. - ASTM A792 (50 ksi)



CINCH STRAP

18 GA.
STAINLESS STEEL - ASTM A666 (50 ksi)



BACK-UP CHANNEL

16 GA.
GALVANIZED - ASTM A653 (55 ksi)