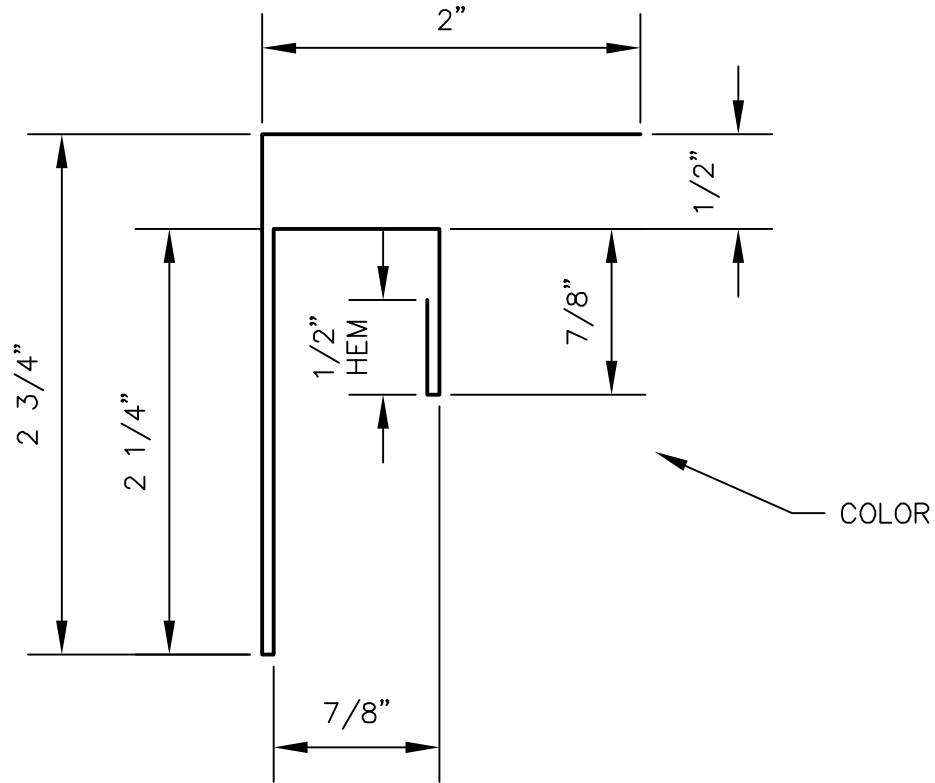


MATRIX TRIM INDEX

<u>DWG #:</u>	<u>DESCRIPTION:</u>	<u>IMAGE #:</u>
MATTW-0001	F and J x 1/2"	404
MATTW-0002	Soffit J	405
MATTW-0003	F x 1/2"	406
MATTW-0004	Angle Trim - 7/8" x 2"	524
MATTW-0005	Angle Trim - 7/8" x 4"	525
MATTW-0006	Angle Trim - 7/8" x 6"	526
MATTW-0007	Outside Angle Trim	268
MATTW-0008	Inside Angle Trim	269
MATTW-0009	Base/Drip Trim	305
MATTW-0010	Perimeter Cleat	527

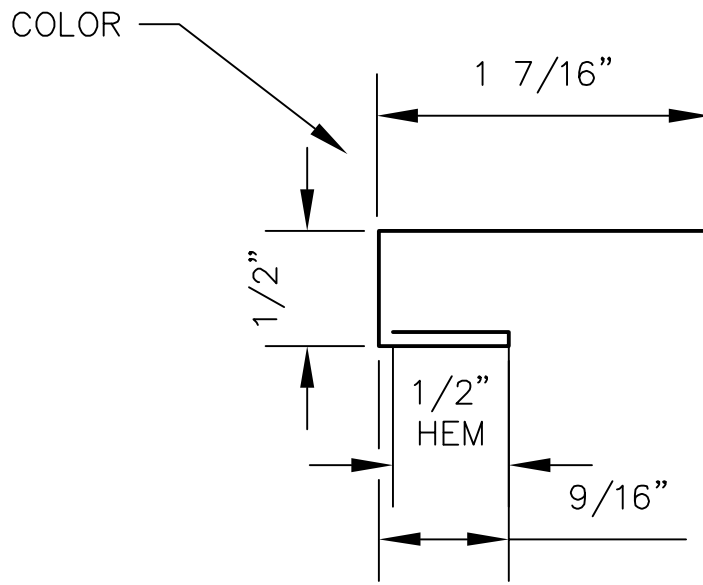


F AND J X 1/2"

PANEL PROFILES	GAUGE
MATRIX	24, 26 or 29

9-19-19 rev.
 3-24-17 rev.
 6-04-13 rev.
 3-07-05

GIRTH: 9 1/4"
 BENDS: 90°

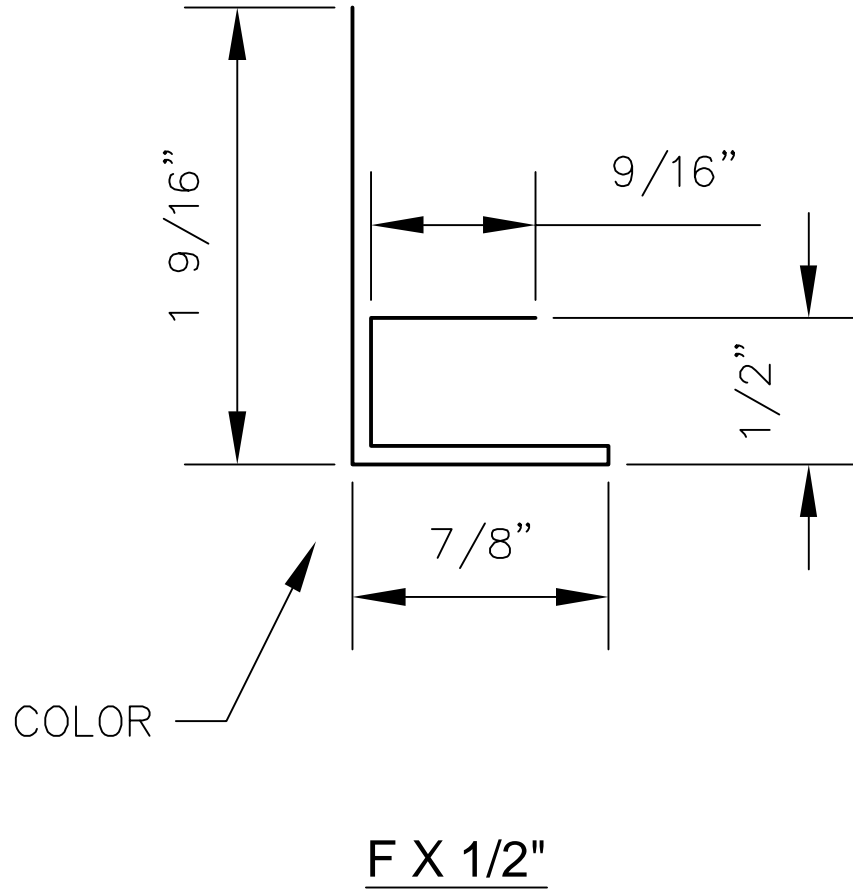


SOFFIT J

PANEL PROFILES	GAUGE
MATRIX	24, 26 or 29

9-19-19 rev.
3-24-17 rev.
6-04-13 rev.
3-07-05

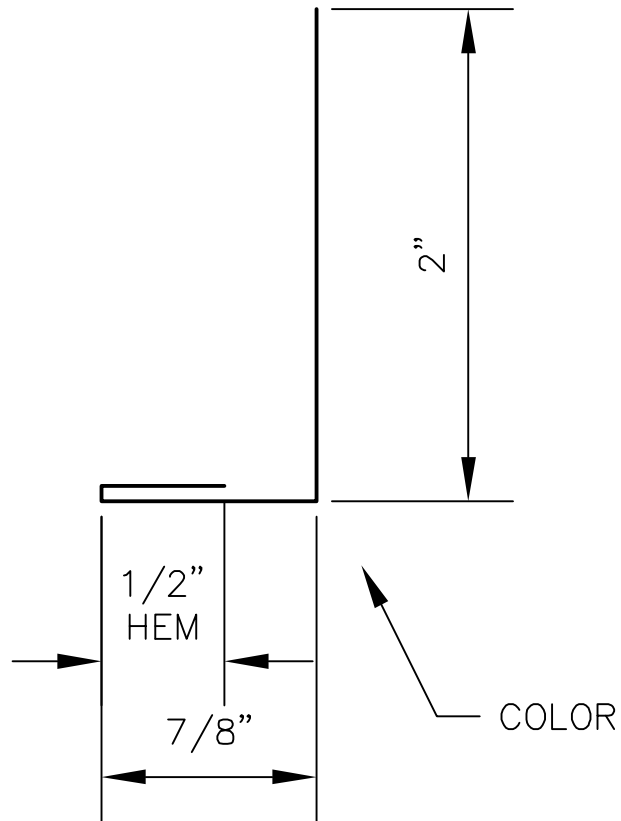
GIRTH: 3"
BENDS: 90°



PANEL PROFILES	GAUGE
MATRIX	24, 26 or 29

9-19-19 rev.
 3-24-17 rev.
 6-04-13 rev.
 3-07-05

GIRTH: 4 3/8"
 BENDS: 90°

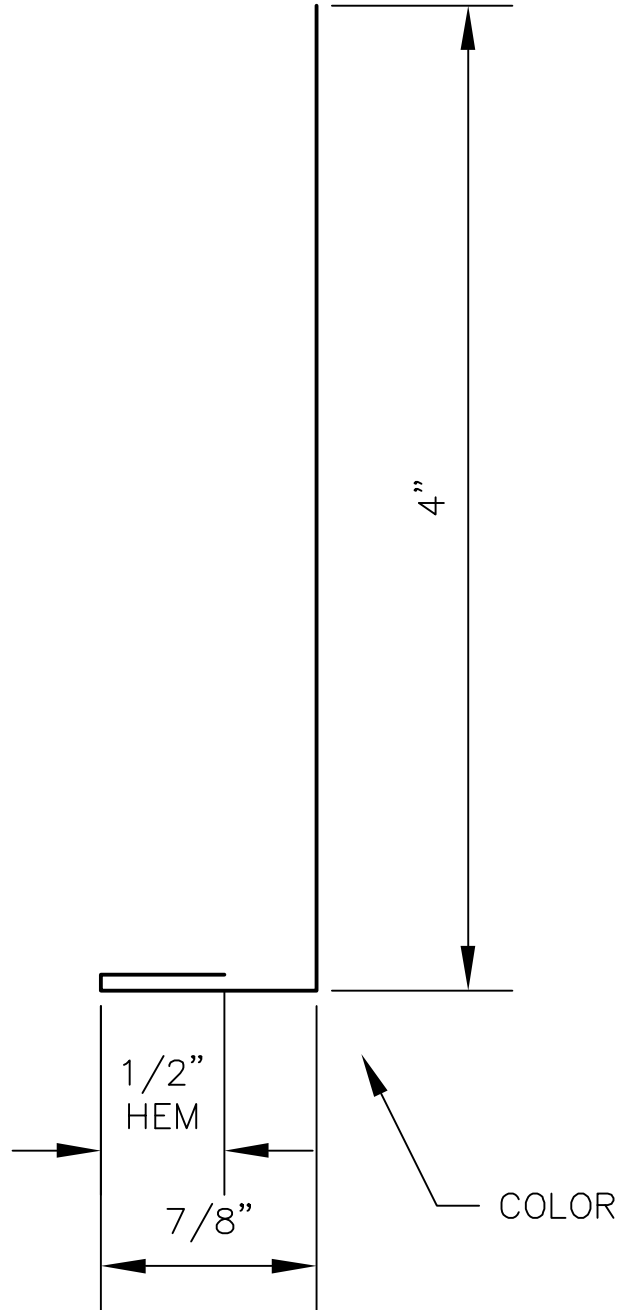


ANGLE TRIM - 7/8" X 2"

PANEL PROFILES	GAUGE
MATRIX	24, 26 or 29
MARQUEE II	24
MARQUEE-LOK	24

9-19-19 rev.
3-24-17 rev.
6-03-14

GIRTH: 3 3/8"
BENDS: 90°

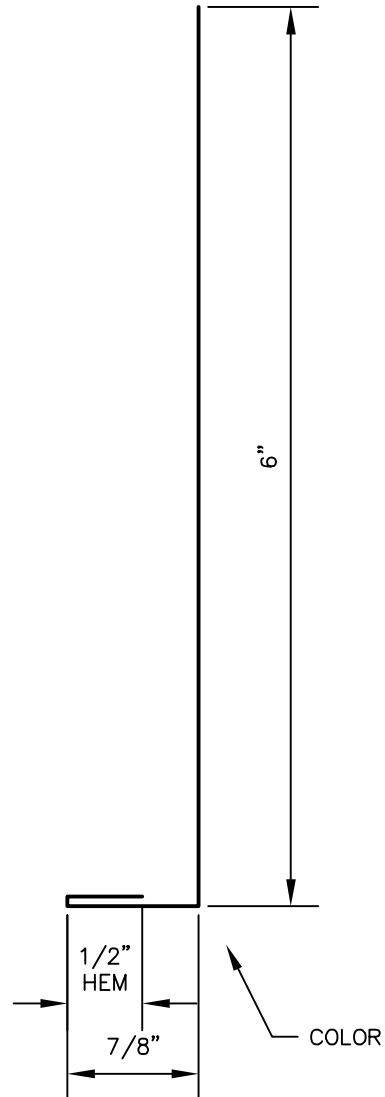


ANGLE TRIM - 7/8" X 4"

PANEL PROFILES	GAUGE
MATRIX	24, 26 or 29
MARQUEE II	24
MARQUEE-LOK	24

9-19-19 rev.
3-24-17 rev.
6-03-14

GIRTH: 5 3/8"
BENDS: 90°

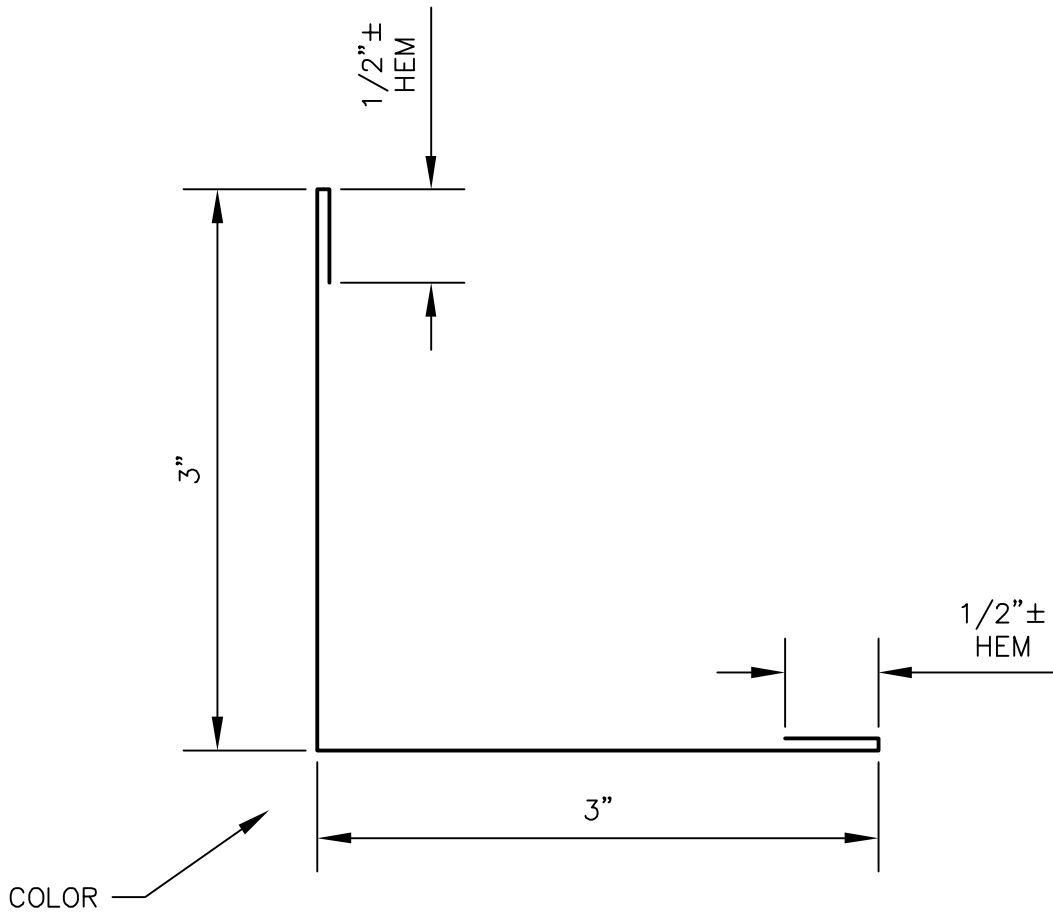


ANGLE TRIM - 7/8" X 6"

PANEL PROFILES	GAUGE
MATRIX	24, 26 or 29
MARQUEE II	24
MARQUEE-LOK	24

9-19-19 rev.
3-24-17 rev.
6-03-14

GIRTH: 7 3/8"
BENDS: 90°

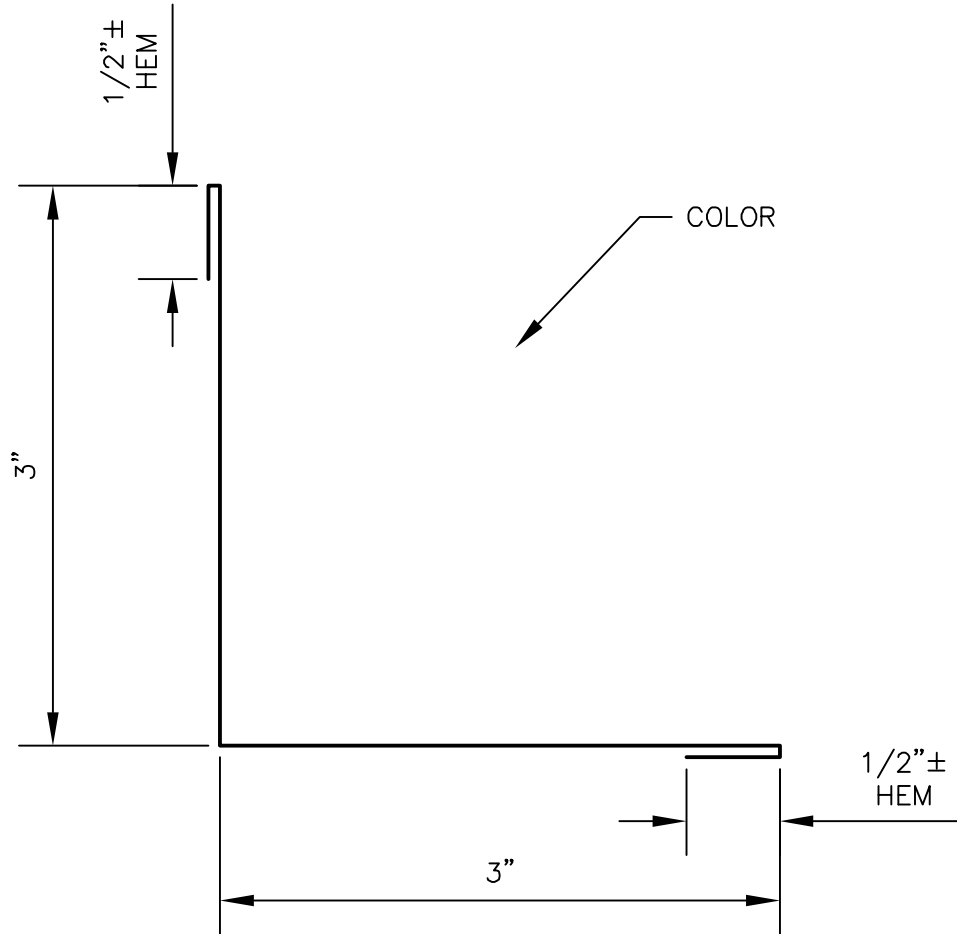


OUTSIDE ANGLE TRIM

PANEL PROFILES	GAUGE
MATRIX	24, 26 or 29
MULTI-COR	26
M-COR	26
U-PANEL	26
MULTI-RIB	26
R-PANEL	26
MINI-RIB	26
MULTI-V	26
MARQUEE II	24
MARQUEE-LOK	24

9-19-19 rev.
 3-24-17 rev.
 6-03-14 rev.
 9-03-96

GIRTH: 7"
 BENDS: 90°

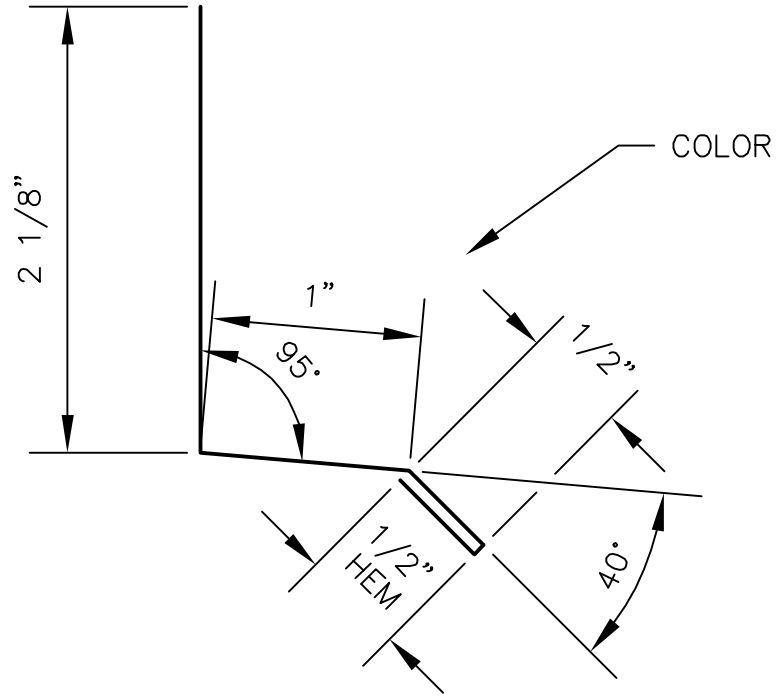


INSIDE ANGLE TRIM

PANEL PROFILES	GAUGE
MATRIX	24, 26 or 29
MULTI-RIB	26
R-PANEL	26
U-PANEL	26
MINI-RIB	26
MULTI-V	26
MARQUEE II	24
MARQUEE-LOK	24

9-19-19 rev.
 3-24-17 rev.
 6-03-14 rev.
 9-03-96

GIRTH: 7"
 BENDS: 90° AND AS SPECIFIED

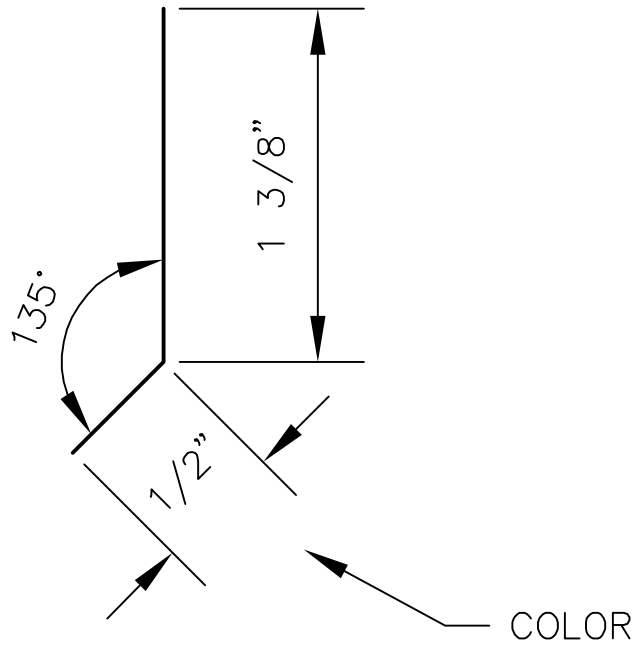


BASE & DRIP TRIM

PANEL PROFILES	GAUGE
MATRIX	24, 26 or 29
MAX-RIB	29
MESA	29
MARQUEE II	24
MARQUEE-LOK	24

9-19-19 rev.
 3-24-17 rev.
 6-03-14 rev.
 11-02-11 rev.
 2-20-04

GIRTH: 4 1/8"
 BENDS: AS SPECIFIED



PERIMETER CLEAT

PANEL PROFILES	GAUGE
MATRIX	24, 26 or 29

9-19-19 rev.
3-24-17 rev.
6-03-14

GIRTH: 1 7/8"
BENDS: AS SPECIFIED