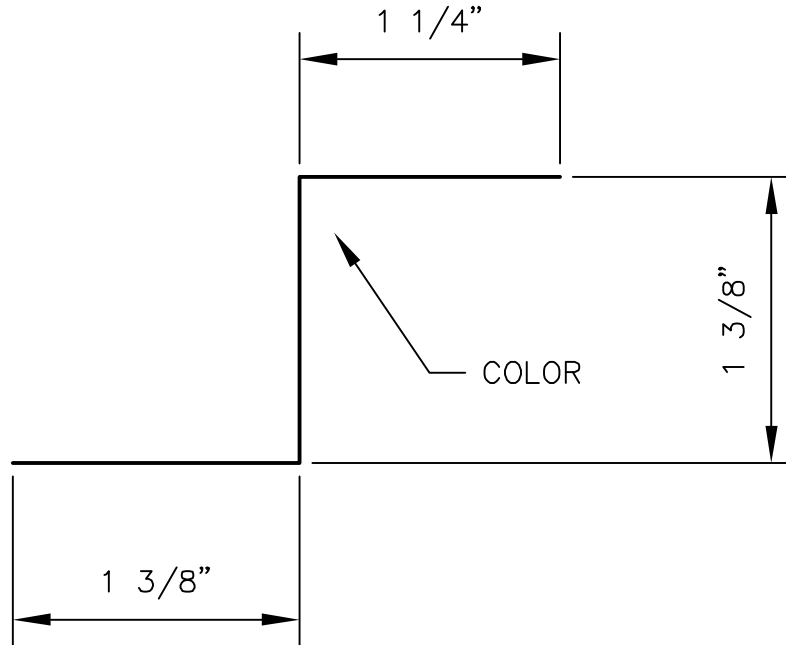


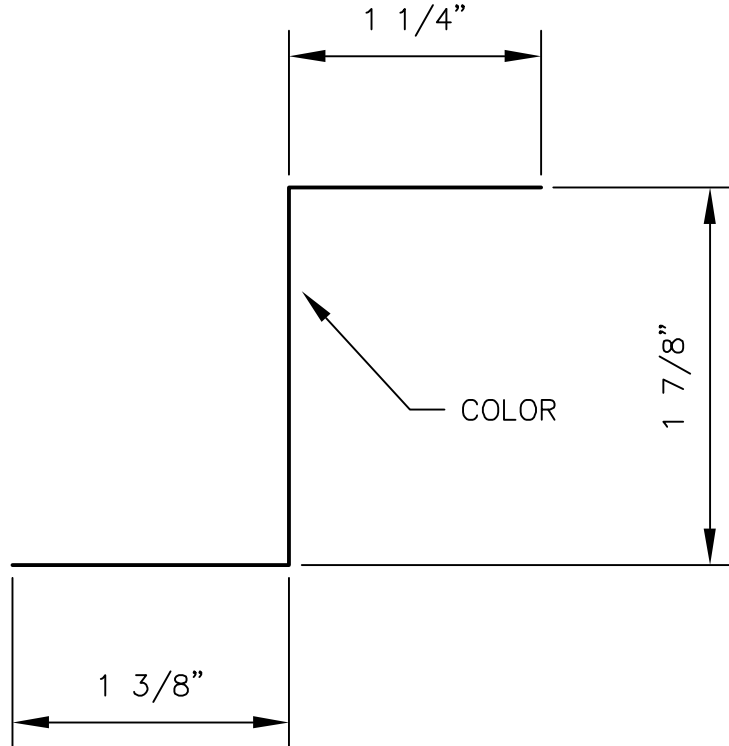
# MAXIMA ARCHITECTURAL TRIM INDEX

<u>DWG #:</u>	<u>DESCRIPTION:</u>	<u>IMAGE #:</u>
MXATW-0001	Maxima 1.5" Architectural Zee Trim	132
MXATW-0002	Maxima 2" Architectural Zee Trim	135
MXATW-0003	Maxima Architectural Hi-Side Tie-In Trim	19
MXATW-0004	Maxima Architectural Hip Trim	452
MXATW-0005	Maxima Architectural Utility Offset Cleat	143
MXATW-0006	Maxima Architectural Rake Tie-In Trim	56
MXATW-0007	Maxima Architectural Eave Trim	25
MXATW-0008	Maxima Architectural Angle Trim	144
MXATW-0009	Maxima Architectural Eave Drip/Rake Trim	26
MXATW-0010	Maxima Architectural Flanged Gutter	119
MXATW-0011	Maxima Architectural Gutter End Cap	121
MXATW-0012	Maxima Architectural Gutter Strap	123
MXATW-0013	Maxima Architectural High Side Eave Trim	8
MXATW-0014	Maxima Architectural Off-Set Cleat	349
MXATW-0015	Maxima Architectural Perimeter Cleat	139
MXATW-0016	Maxima Architectural Rake Trim	48
MXATW-0017	Maxima Architectural Ridge Trim	71
MXATW-0018	Maxima Architectural Valley Trim	28
MXATW-0019	Maxima Architectural D-Edge/Rake Trim	350
MXATW-0020	Maxima Architectural Face Mounted Gutter	125



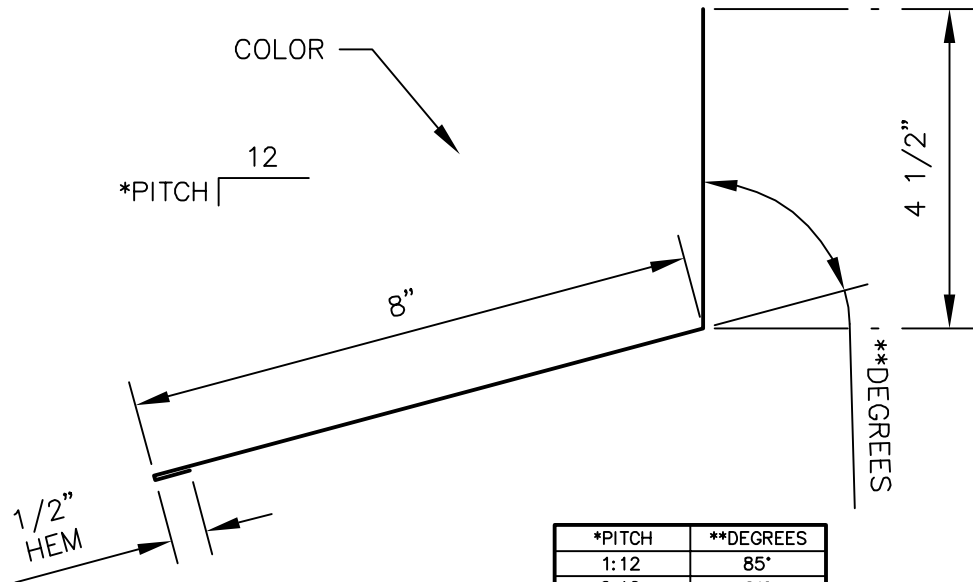
## MAXIMA 1.5" ARCHITECTURAL ZEE TRIM

PANEL PROFILES	GAUGE
MAXIMA 1.5"	24



MAXIMA 2" ZEE TRIM

PANEL PROFILES	GAUGE
MAXIMA 2"	24
MAXIMA ADV	24



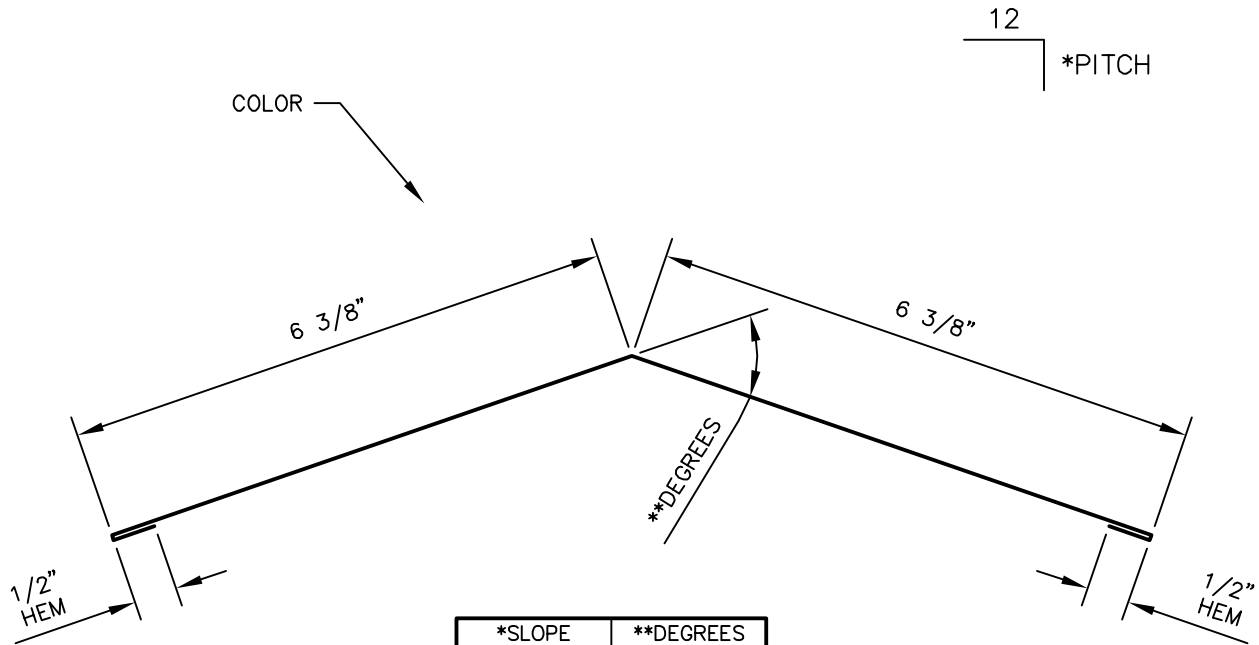
*PITCH	**DEGREES
1:12	85°
2:12	81°
3:12	76°
4:12	72°
5:12	67°
6:12	63°
7:12	60°
8:12	56°
9:12	53°
10:12	50°
11:12	47°
12:12	45°

MAXIMA ARCHITECTURAL HIGH-SIDE TIE-IN TRIM

PANEL PROFILES	GAUGE
MAXIMA 1.5"	24
MAXIMA 2"	24
MAXIMA ADV	24
MEDALLION I	24
MEDALLION II	24
MEDALLION-LOK	24

11-11-13 rev.  
8-7-12

GIRTH: 13"  
BENDS: AS SPECIFIED.



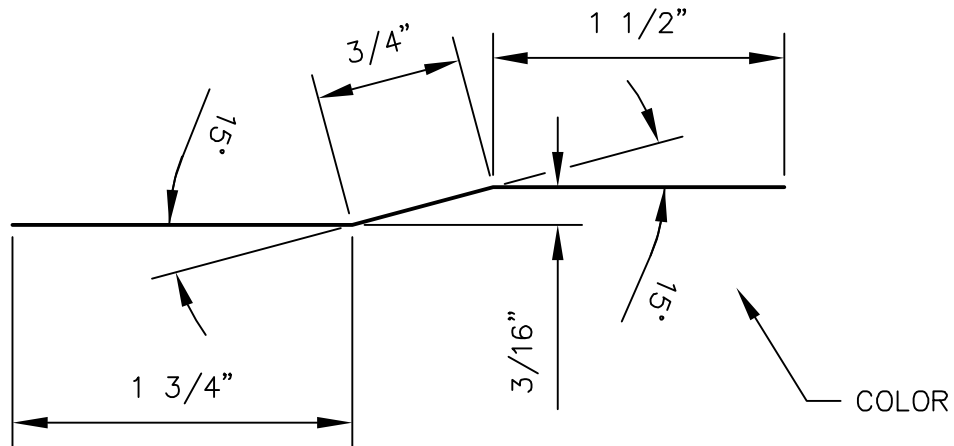
*SLOPE	**DEGREES
1:12	7°
2:12	14°
3:12	20°
4:12	27°
5:12	33°
6:12	39°
7:12	45°
8:12	51°
9:12	57°
10:12	63°
11:12	69°
12:12	75°

MAXIMA ARCHITECTURAL HIP TRIM

PANEL PROFILES	GAUGE
MAXIMA 1.5"	24
MAXIMA 2"	24
MAXIMA ADV	24
MEDALLION I	24
MEDALLION II	24
MEDALLION-LOK	24

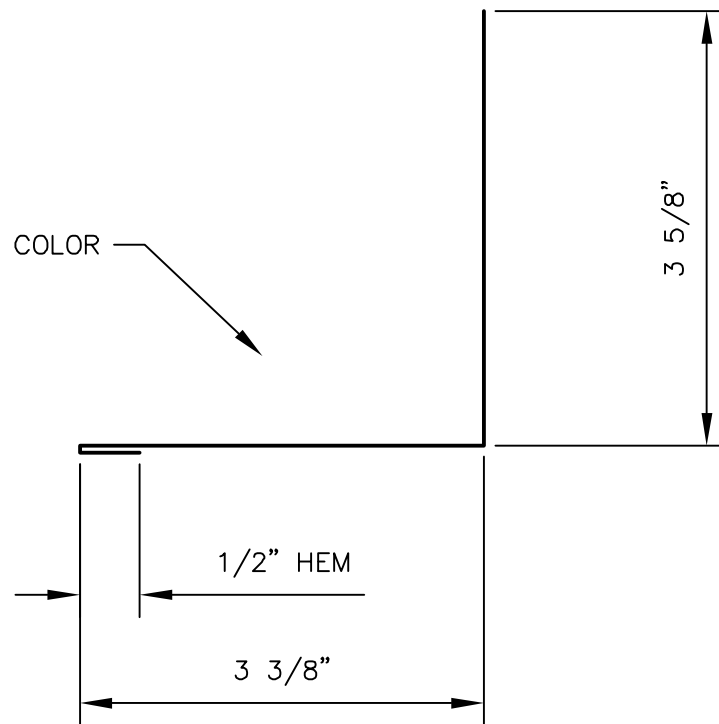
1-26-16 rev.  
 6-25-13 rev.  
 8-7-12

GIRTH: 13 3/4"  
 BENDS: 90° AND AS SPECIFIED



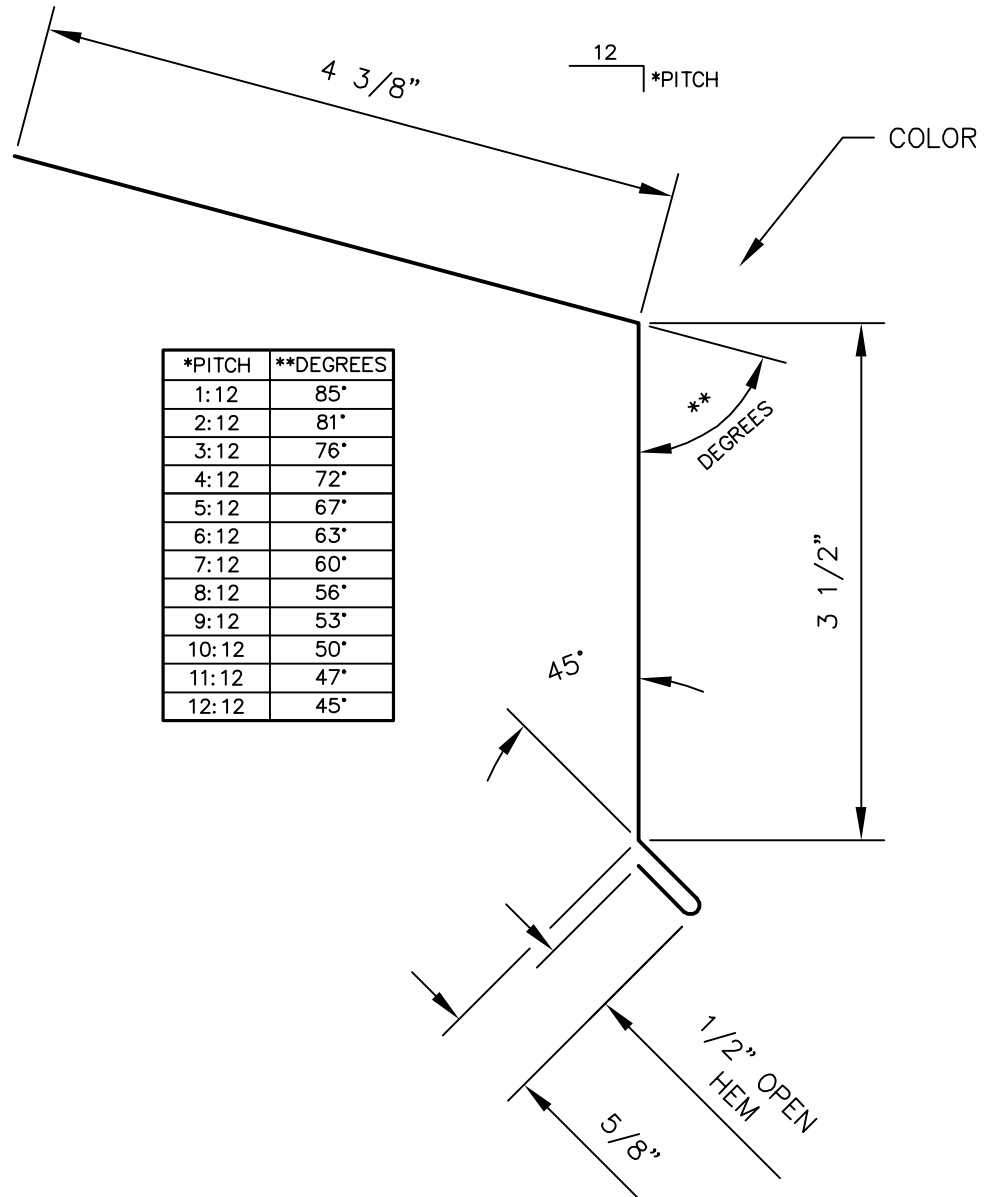
MAXIMA ARCHITECTURAL UTILITY OFFSET CLEAT

PANEL PROFILES	GAUGE
MAXIMA 1.5"	24
MAXIMA 2"	24
MAXIMA ADV	24
MEDALLION I	24
MEDALLION II	24
MEDALLION-LOK	24



## MAXIMA ARCHITECTURAL RAKE TIE-IN TRIM

PANEL PROFILES	GAUGE
MAXIMA 1.5"	24
MAXIMA 2"	24
MAXIMA 3"	24
MAXIMA ADV	24
MEDALLION I	24
MEDALLION II	24
MEDALLION-LOK	24

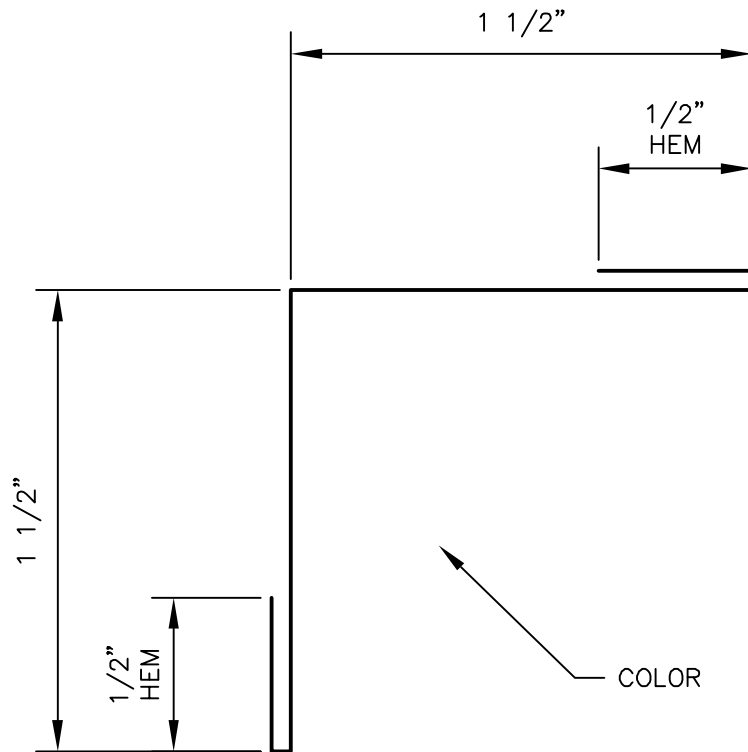


*PITCH	**DEGREES
1:12	85°
2:12	81°
3:12	76°
4:12	72°
5:12	67°
6:12	63°
7:12	60°
8:12	56°
9:12	53°
10:12	50°
11:12	47°
12:12	45°

## MAXIMA ARCHITECTURAL EAVE TRIM

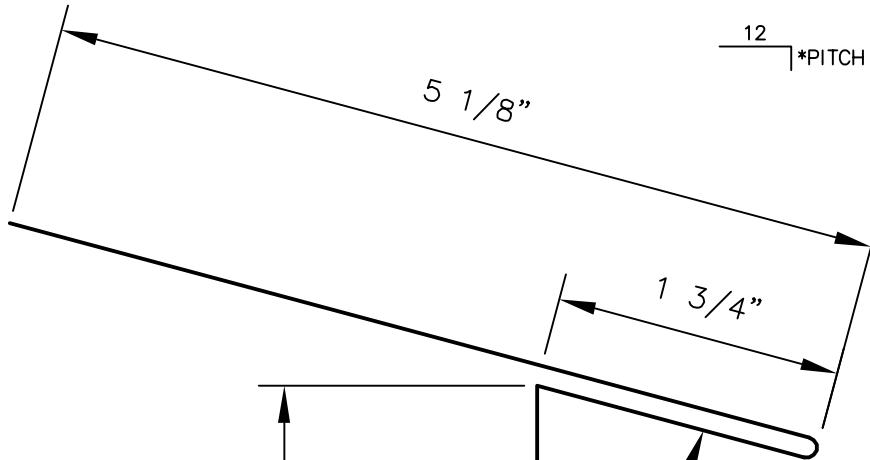
PANEL PROFILES	GAUGE
MAXIMA 1.5"	24
MAXIMA 2"	24
MAXIMA 3"	24
MAXIMA ADV	24
MEDALLION I	24
MEDALLION II	24
MEDALLION-LOK	24



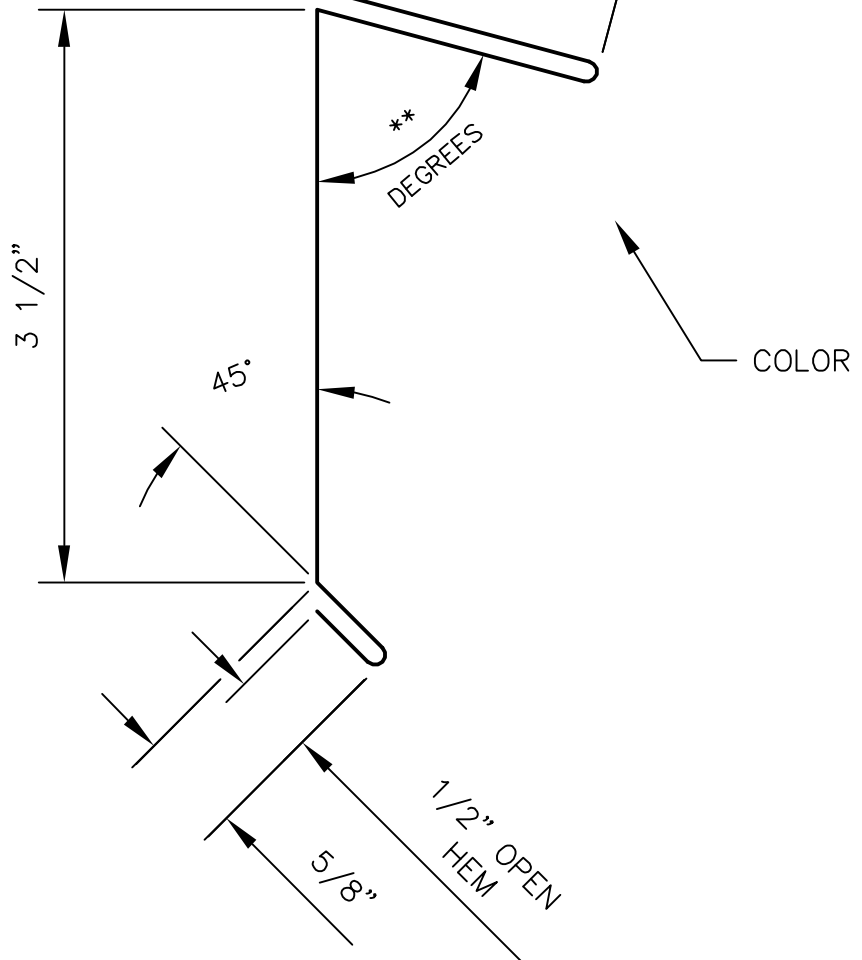


MAXIMA ARCHITECTURAL ANGLE TRIM

PANEL PROFILES	GAUGE
MAXIMA 1.5"	24
MAXIMA 2"	24
MAXIMA 3"	24
MAXIMA ADV	24



*PITCH	**DEGREES
0:12	90°
1:12	85°
2:12	81°
3:12	76°
4:12	72°
5:12	67°
6:12	63°
7:12	60°
8:12	56°
9:12	53°
10:12	50°
11:12	47°
12:12	45°

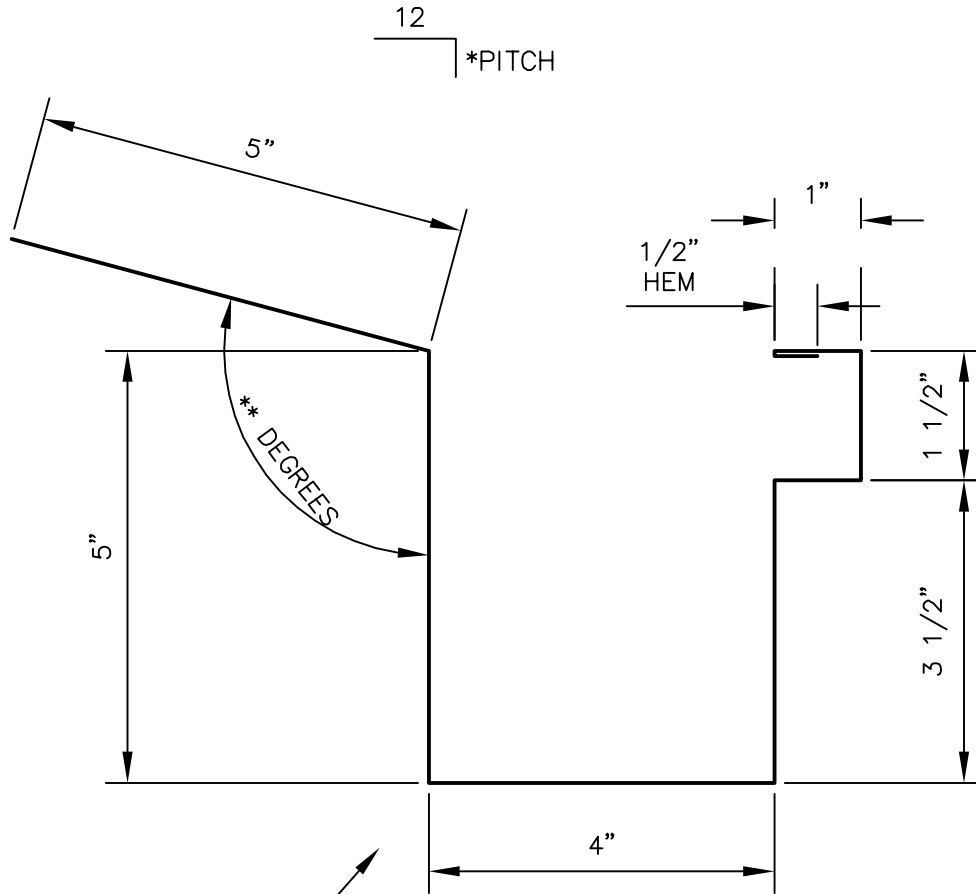


PANEL PROFILES	GAUGE
MAXIMA 1.5"	24
MAXIMA 2"	24
MAXIMA 3"	24
MAXIMA ADV	24
MEDALLION I	24
MEDALLION II	24
MEDALLION-LOK	24
MERIDIAN	26

## MAXIMA ARCHITECTURAL EAVE DRIP/RAKE TRIM

5-12-16 rev.  
 6-25-13 rev.  
 11-19-12 rev.  
 8-7-12

GIRTH: 11 1/2"  
 BENDS: AS SPECIFIED



COLOR →

*PITCH	**DEGREES
1:12	95°
2:12	99°
3:12	104°
4:12	108°
5:12	113°
6:12	117°
7:12	120°
8:12	124°
9:12	127°
10:12	130°
11:12	133°
12:12	135°

## MAXIMA ARCHITECTURAL FLANGED GUTTER

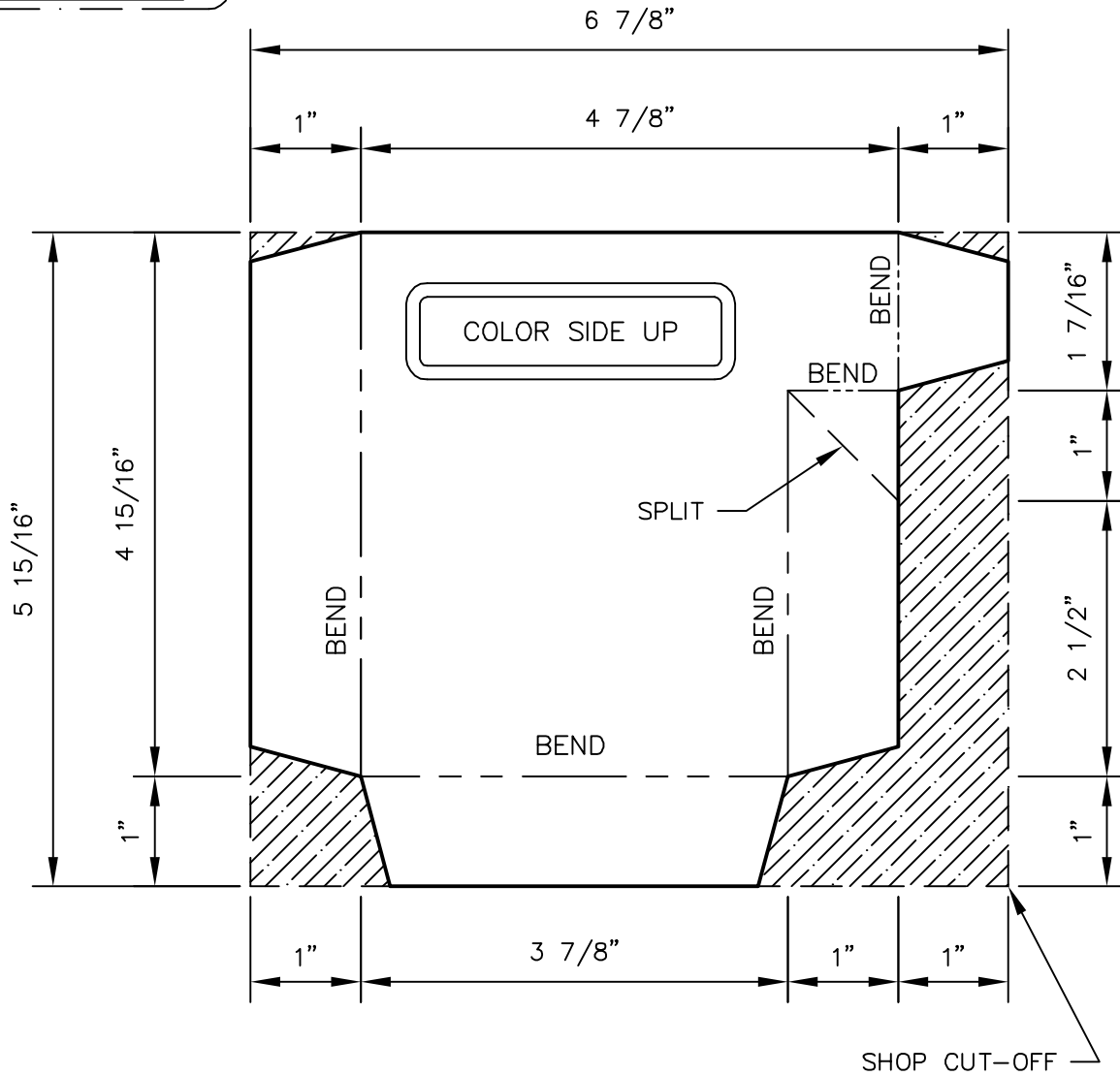
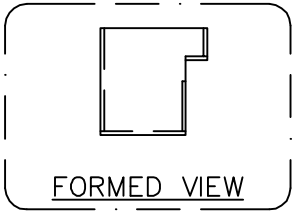
PANEL PROFILES	GAUGE
MAXIMA 1.5"	24
MAXIMA 2"	24
MAXIMA 3"	24
MAXIMA ADV	24
MEDALLION I	24
MEDALLION II	24
MEDALLION-LOK	24

7-26-17 rev.  
6-25-13 rev.  
8-7-12

GIRTH: 21 1/2"  
BENDS: 90° UNLESS SPECIFIED

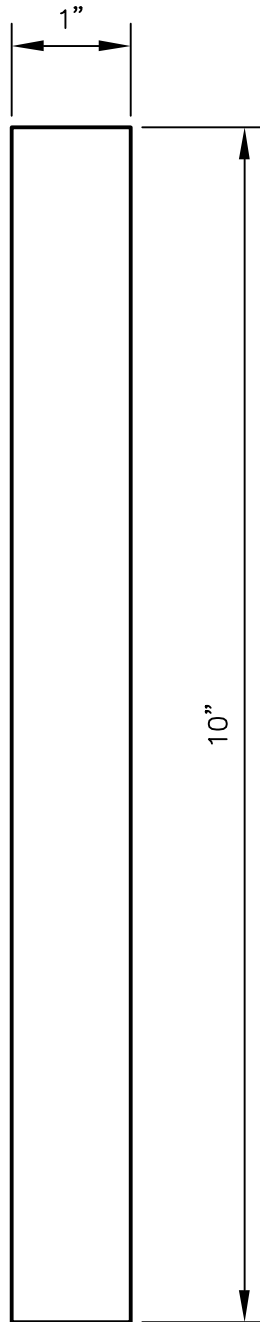


PANEL PROFILES	GAUGE
MAXIMA 1.5"	24 or 26
MAXIMA 2"	24 or 26
MAXIMA 3"	24 or 26
MAXIMA ADV	24 or 26
MEDALLION I	24 or 26
MEDALLION II	24 or 26
MEDALLION-LOK	24 or 26
MERIDIAN	26
MAX-RIB	26
MESA	26



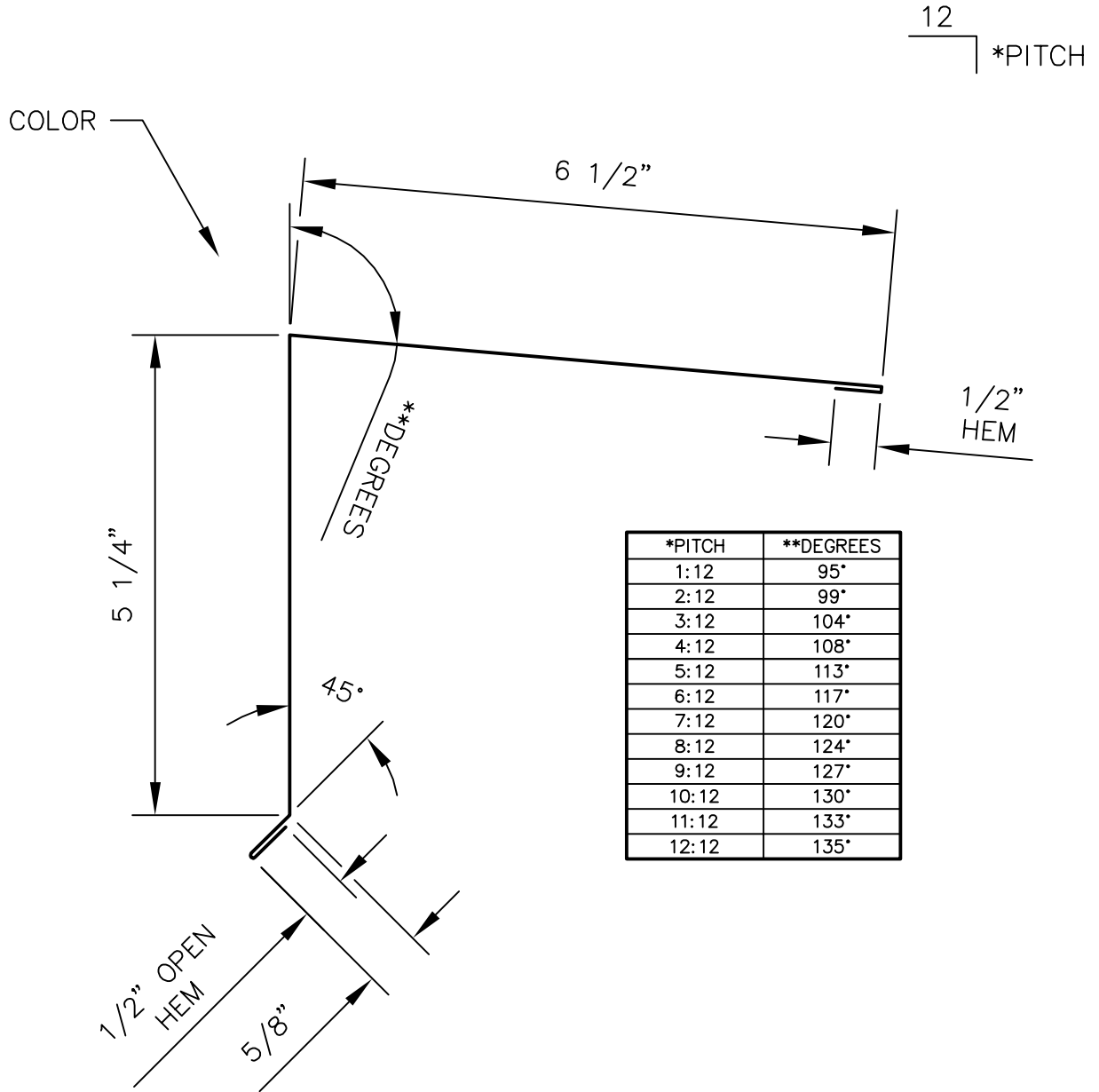
## MAXIMA ARCHITECTURAL GUTTER END CAP

(LEFT HAND SHOWN)  
(RIGHT HAND OPP.)



### GUTTER STRAP

PANEL PROFILES	GAUGE
ALL PANELS	24 or 26

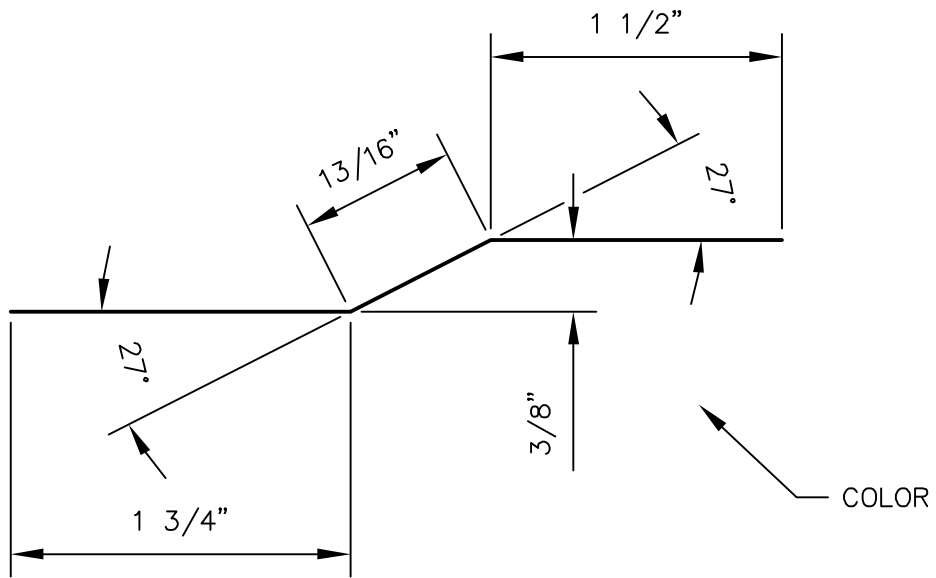


## MAXIMA ARCHITECTURAL HIGH SIDE EAVE TRIM

PANEL PROFILES	GAUGE
MAXIMA 1.5"	24
MAXIMA 2"	24
MAXIMA 3"	24
MAXIMA ADV	24
MEDALLION II	24
MEDALLION-LOK	24

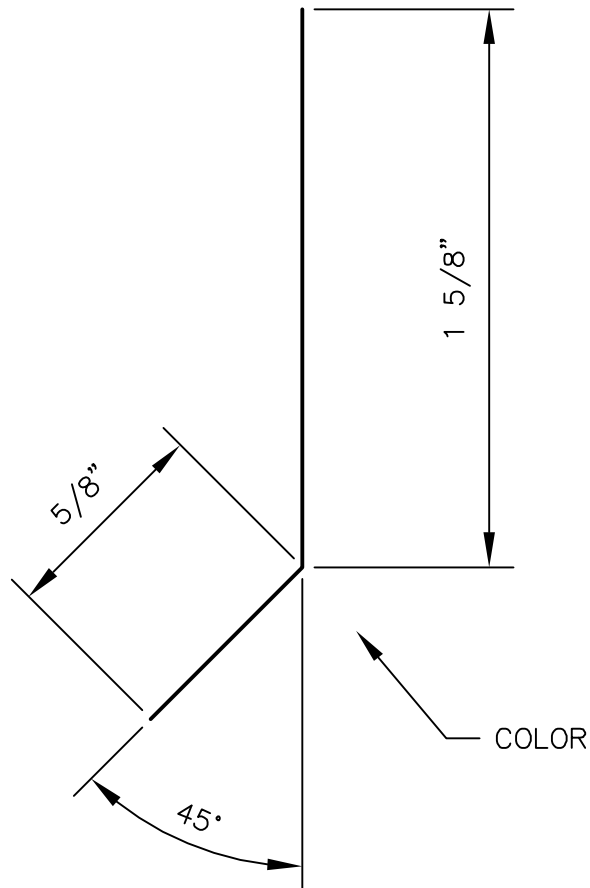
4-03-15 rev.  
 11-11-13 rev.  
 8-7-12

GIRTH: 13 3/8"  
 BENDS: 90° UNLESS SPECIFIED



MAXIMA ARCHITECTURAL OFFSET CLEAT

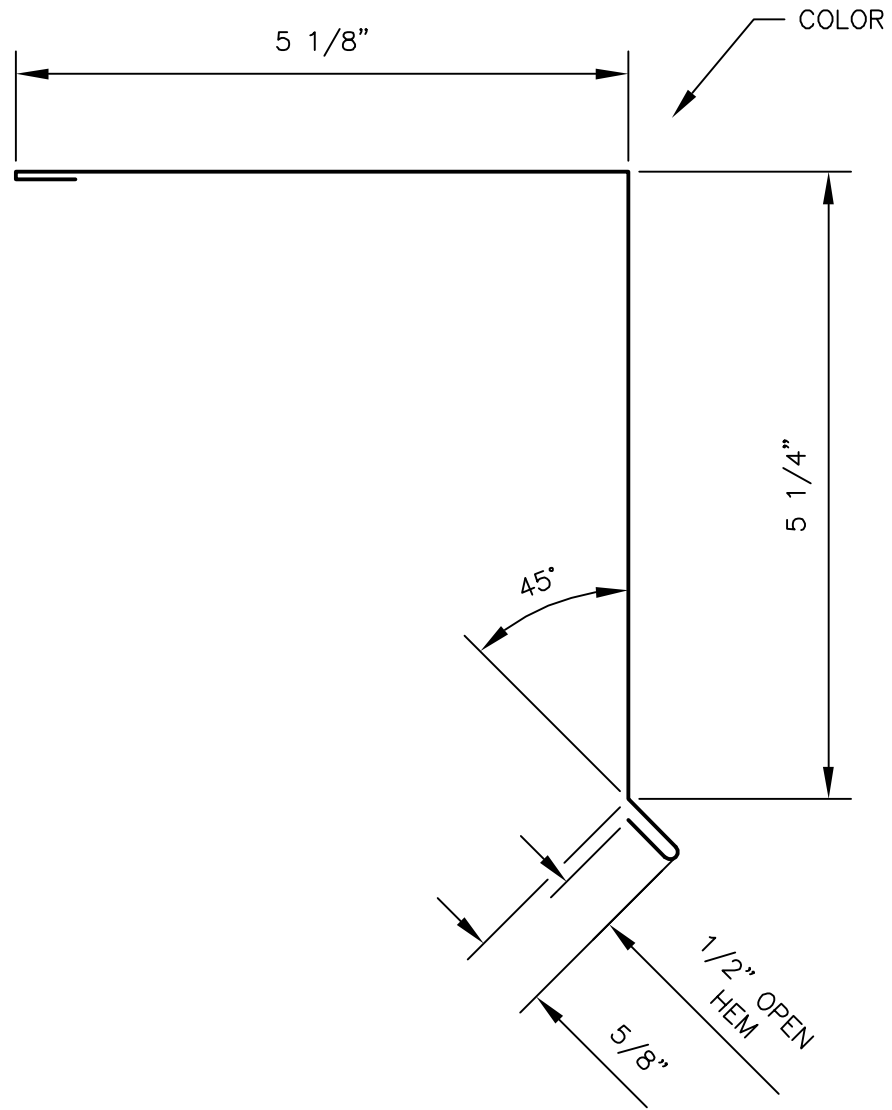
PANEL PROFILES	GAUGE
MAXIMA 1.5"	24
MAXIMA 2"	24
MAXIMA 3"	24
MAXIMA ADV	24



## MAXIMA ARCHITECTURAL PERIMETER CLEAT

PANEL PROFILES	GAUGE
MAXIMA 1.5"	24
MAXIMA 2"	24
MAXIMA 3"	24
MAXIMA ADV	24
MEDALLION I	24
MEDALLION II	24
MEDALLION-LOK	24



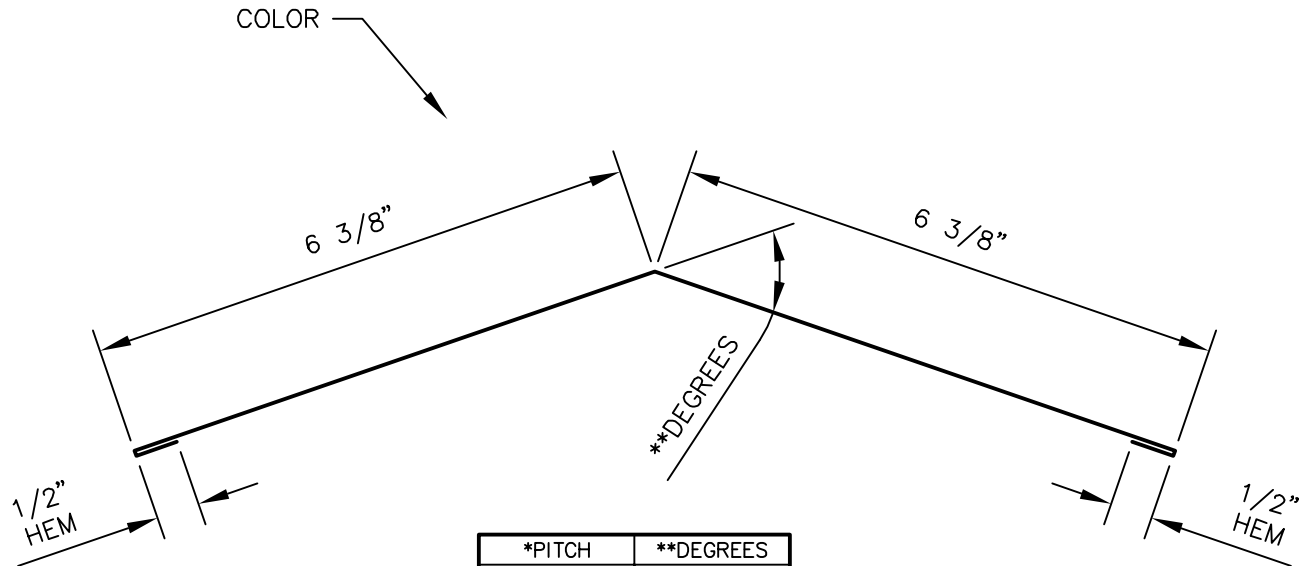


MAXIMA ARCHITECTURAL RAKE TRIM

PANEL PROFILES	GAUGE
MAXIMA 1.5"	24
MAXIMA 2"	24
MAXIMA 3"	24
MAXIMA ADV	24
MEDALLION II	24
MEDALLION-LOK	24



12  
| \*PITCH



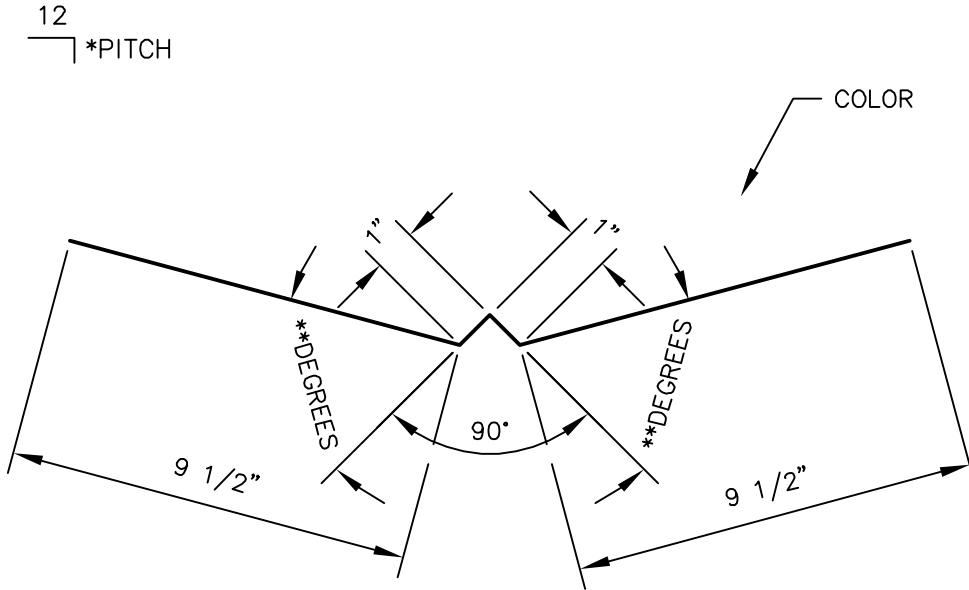
*PITCH	**DEGREES
1:12	10°
2:12	19°
3:12	28°
4:12	37°
5:12	45°
6:12	53°
7:12	61°
8:12	68°
9:12	74°
10:12	80°
11:12	85°
12:12	90°

## MAXIMA ARCHITECTURAL RIDGE TRIM

PANEL PROFILES	GAUGE
MAXIMA 1.5"	24
MAXIMA 2"	24
MAXIMA 3"	24
MAXIMA ADV	24
MEDALLION I	24
MEDALLION II	24
MEDALLION-LOK	24

4-08-15 rev.  
6-25-13 rev.  
8-7-12

GIRTH: 13 3/4"  
BENDS: 90° AND AS SPECIFIED



*PITCH	**DEGREES
1:12	48°
2:12	52°
3:12	55°
4:12	58°
5:12	61°
6:12	64°
7:12	68°
8:12	70°
9:12	73°
10:12	76°
11:12	79°
12:12	82°

## MAXIMA ARCHITECTURAL VALLEY TRIM

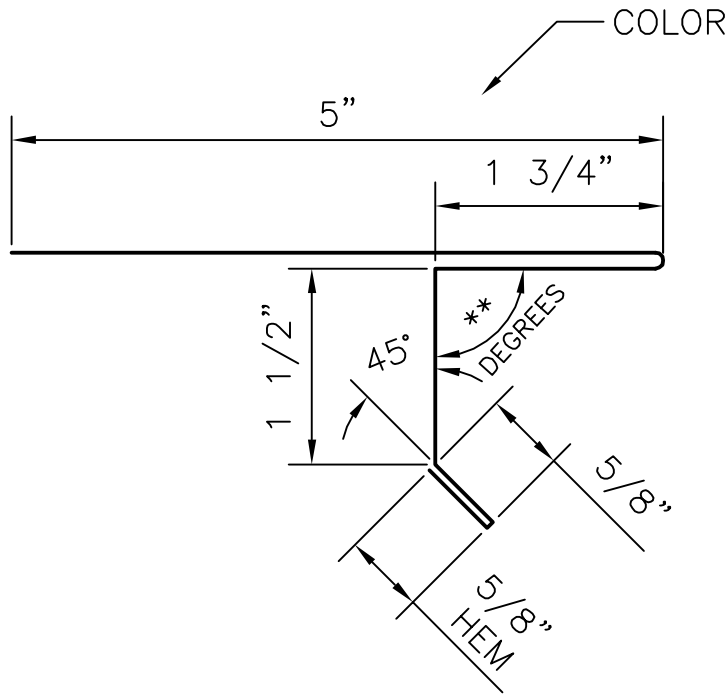
PANEL PROFILES	GAUGE
MAXIMA 1.5"	24
MAXIMA 2"	24
MAXIMA 3"	24
MAXIMA ADV	24
MEDALLION I	24
MEDALLION II	24
MEDALLION-LOK	24

6-25-13 rev.  
8-7-12

GIRTH: 21"  
BENDS: 90° AS SPECIFIED



12  
\*PITCH



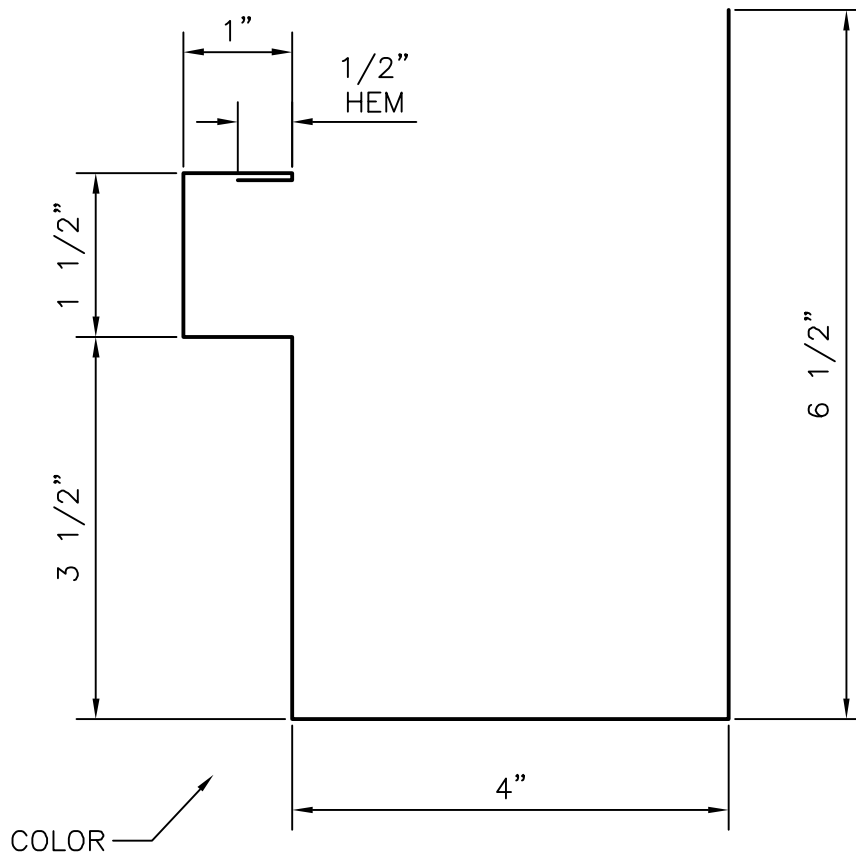
*PITCH	**DEGREES
0:12	90°
1:12	85°
2:12	81°
3:12	76°
4:12	72°
5:12	67°
6:12	63°
7:12	60°
8:12	56°

## MAXIMA ARCHITECTURAL D-EDGE/RAKE TRIM

PANEL PROFILES	GAUGE
MAXIMA 1.5"	24
MAXIMA 2"	24
MAXIMA 3"	24
MAXIMA ADV	24
MEDALLION I	24
MEDALLION II	24
MEDALLION-LOK	24
MERIDIAN	24

5-12-13 rev.  
11-19-13 rev.  
8-7-12

GIRTH: 9 1/2"  
BENDS: 90° UNLESS SPECIFIED



## MAXIMA ARCHITECTURAL GUTTER

(FACE MOUNTED GUTTER)

PANEL PROFILES	GAUGE
MAXIMA 1.5"	24
MAXIMA 2"	24
MAXIMA 3"	24
MAXIMA ADV	24
MEDALLION I	24
MEDALLION II	24
MEDALLION-LOK	24

GIRTH: 18"  
BENDS: 90° UNLESS SPECIFIED