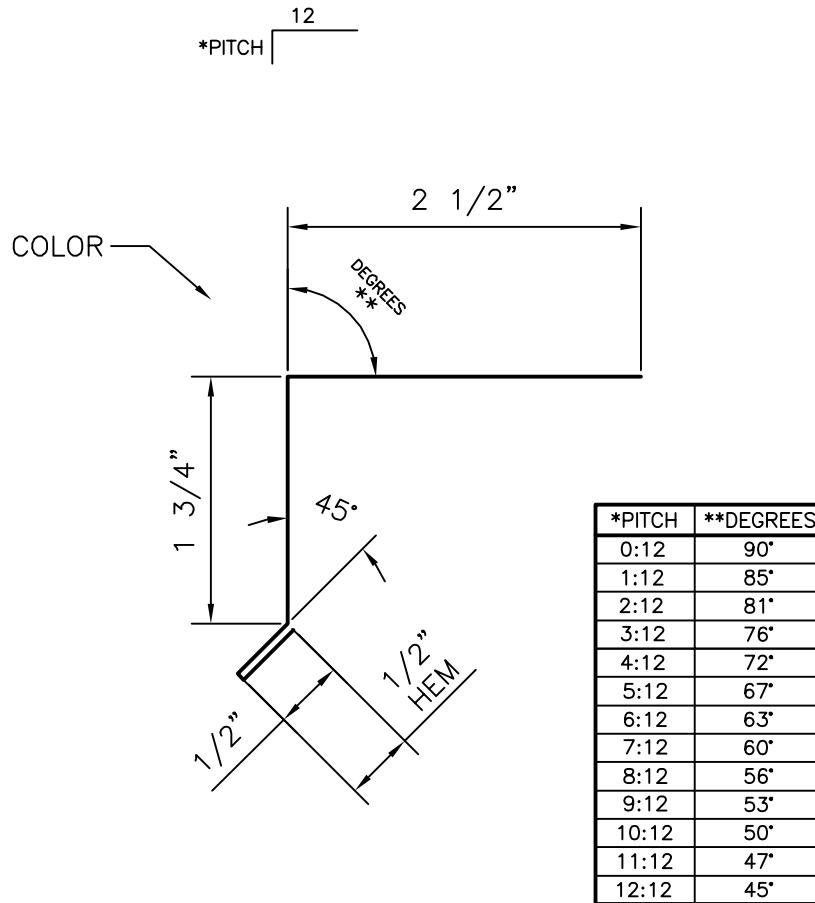


MET-TILE INDEX

<u>DWG #:</u>	<u>DESCRIPTION:</u>	<u>IMAGE #:</u>
METTW-0001	Commercial Eave Trim	332
METTW-0002	Contoured Eave Trim	333
METTW-0003	Commercial Ridge / Hip Trim	334
METTW-0004	Counter Flashing Trim	335
METTW-0005	Commercial Rake Trim	336
METTW-0006	Flared Edge Trim	337
METTW-0007	Rake Tie-In Trim	338
METTW-0008	Commercial Hi-Side Tie-In Trim	339
METTW-0009	Commercial Gambrel Trim	340
METTW-0010	Cap Trim	341
METTW-0011	Valley Cover Trim	342
METTW-0012	Valley Trim	343
METTW-0013	Cricket / Saddle Leg Trim	344
METTW-0014	Saddle (Pattern)	345B
METTW-0015	Saddle (Finished)	345A
METTW-0016	Cricket (Pattern)	346B
METTW-0017	Cricket (Finished)	346A
METTW-0018	Contoured Hi-Side Tie-In Trim	670
METTW-0019	Contoured Ridge/Hip Flashing	671
METTW-0020	Contoured Rake Flashing	672
METTW-0021	Spanish Ridge/Hip/Rake Flashing	673

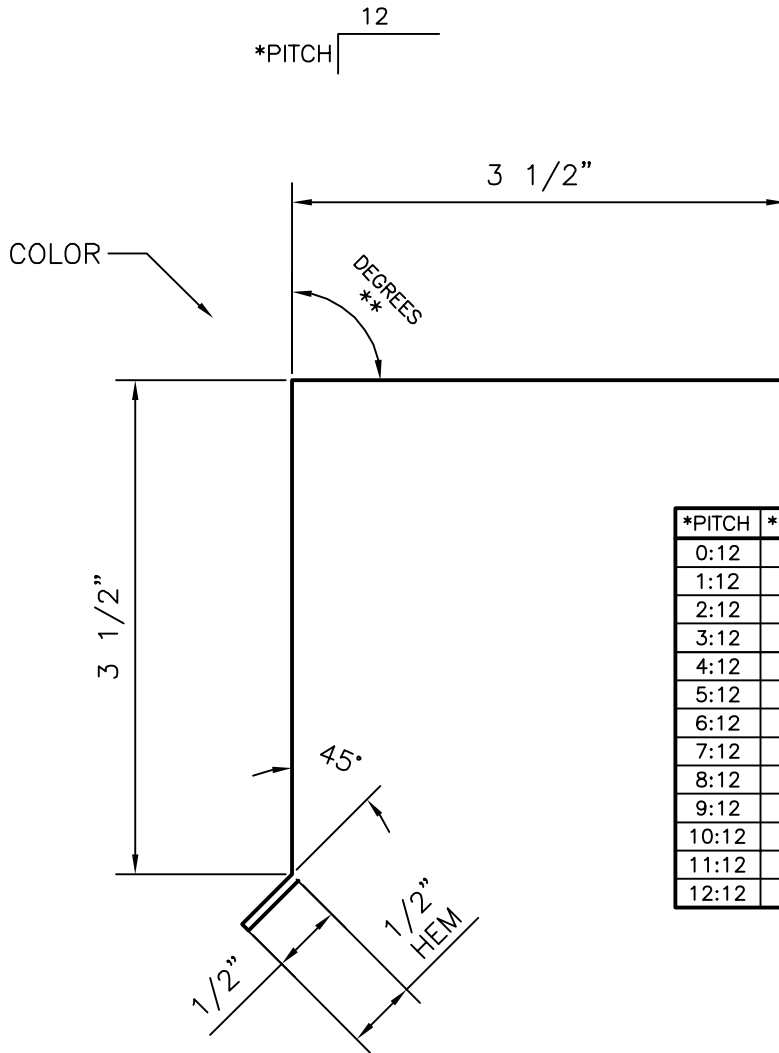
345

346



COMMERCIAL EAVE TRIM

PANEL PROFILES	GAUGE
MET-TILE	26



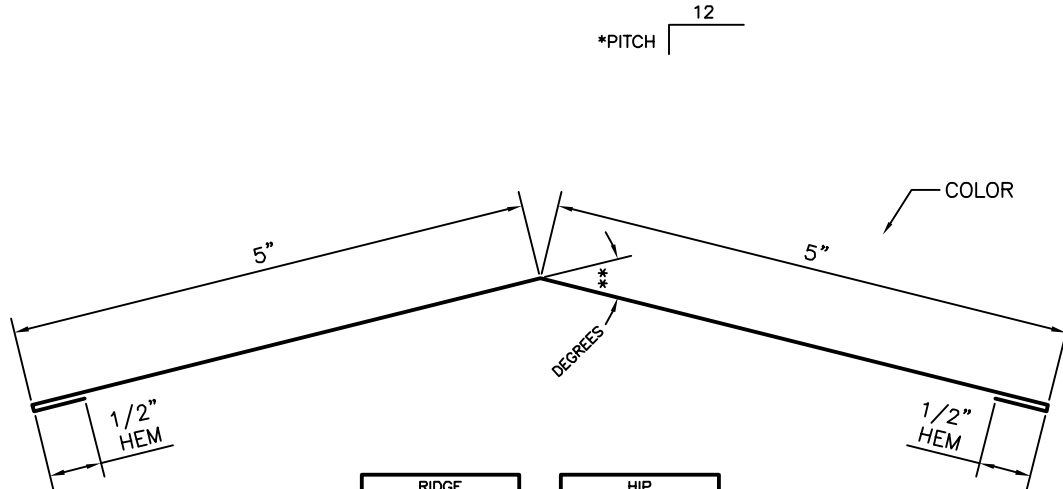
*PITCH	**DEGREES
0:12	90°
1:12	85°
2:12	81°
3:12	76°
4:12	72°
5:12	67°
6:12	63°
7:12	60°
8:12	56°
9:12	53°
10:12	50°
11:12	47°
12:12	45°

CONTOURED EAVE TRIM

PANEL PROFILES	GAUGE
MET-TILE	26

7-08-13 rev.
6-28-12

GIRTH: 8"
BENDS: AS SPECIFIED



RIDGE	
*PITCH	**DEGREES
1:12	10°
2:12	19°
3:12	28°
4:12	37°
5:12	45°
6:12	53°
7:12	61°
8:12	68°
9:12	74°
10:12	80°
11:12	85°
12:12	90°

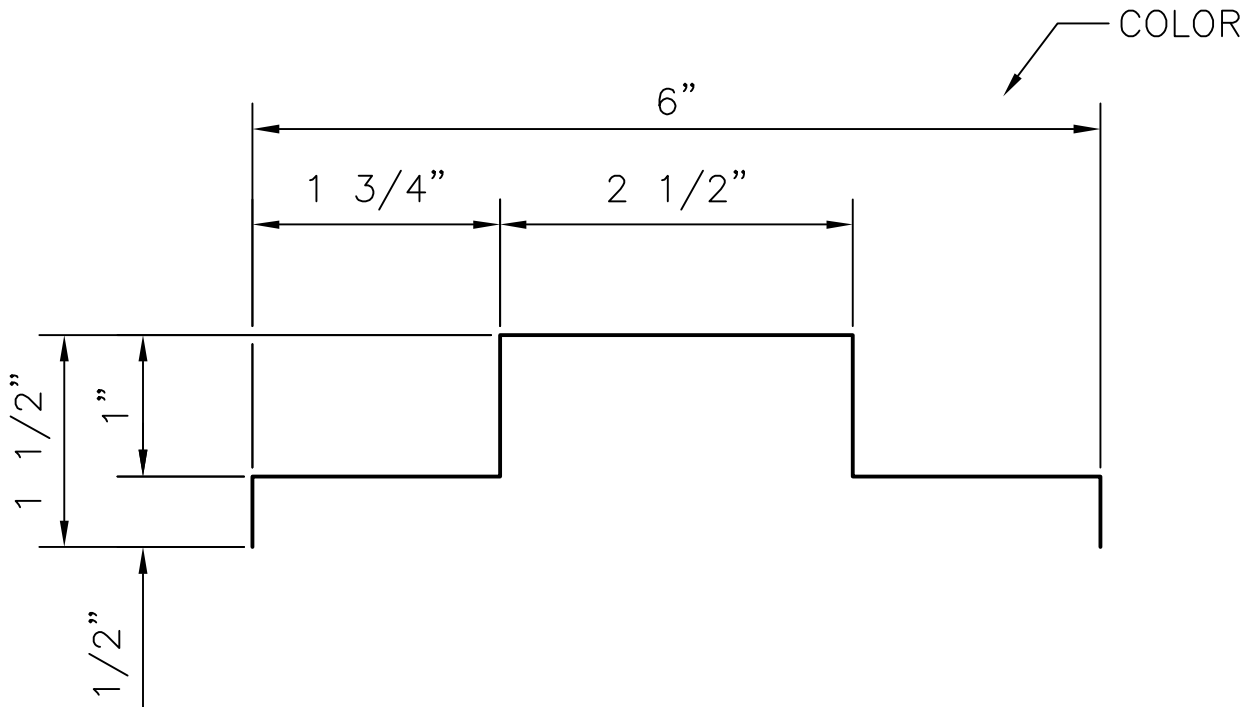
HIP	
*PITCH	**DEGREES
1:12	7°
2:12	14°
3:12	20°
4:12	27°
5:12	33°
6:12	39°
7:12	45°
8:12	51°
9:12	57°
10:12	63°
11:12	69°
12:12	75°

COMMERCIAL RIDGE/HIP TRIM

PANEL PROFILES	GAUGE
MET-TILE	26

7-08-13 rev.
6-28-12

GIRTH: 11"
BENDS: AS SPECIFIED

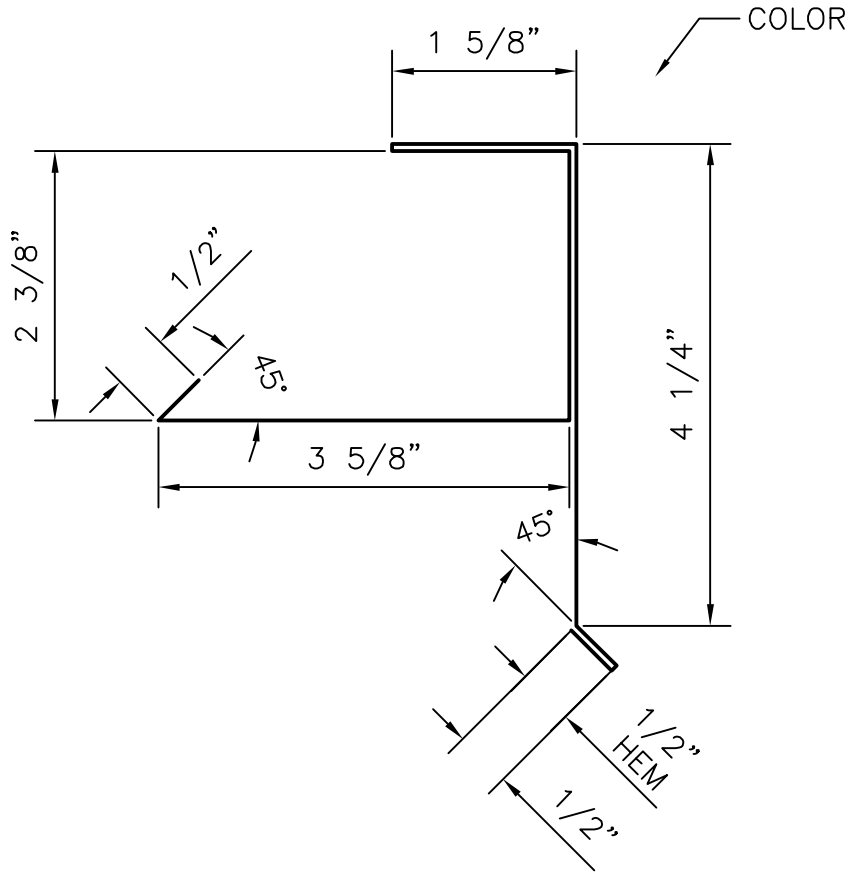


COUNTER FLASHING TRIM

PANEL PROFILES	GAUGE
MET-TILE	26

7-08-13 rev.
6-28-12

GIRTH: 9"
BENDS: AS SPECIFIED

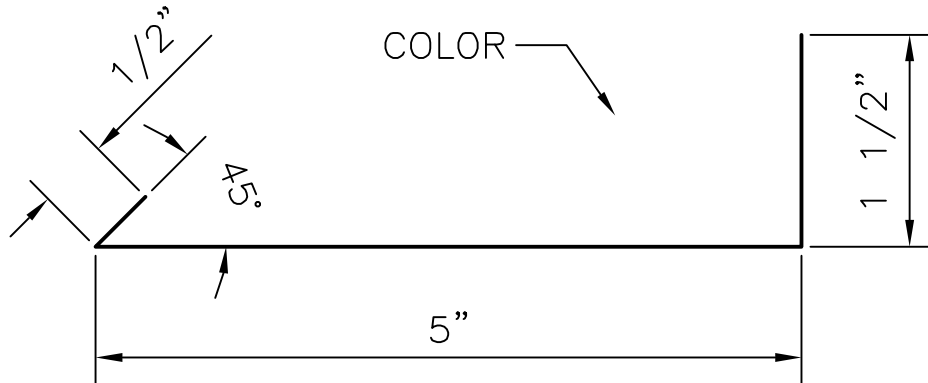


COMMERCIAL RAKE TRIM

PANEL PROFILES	GAUGE
MET-TILE	26

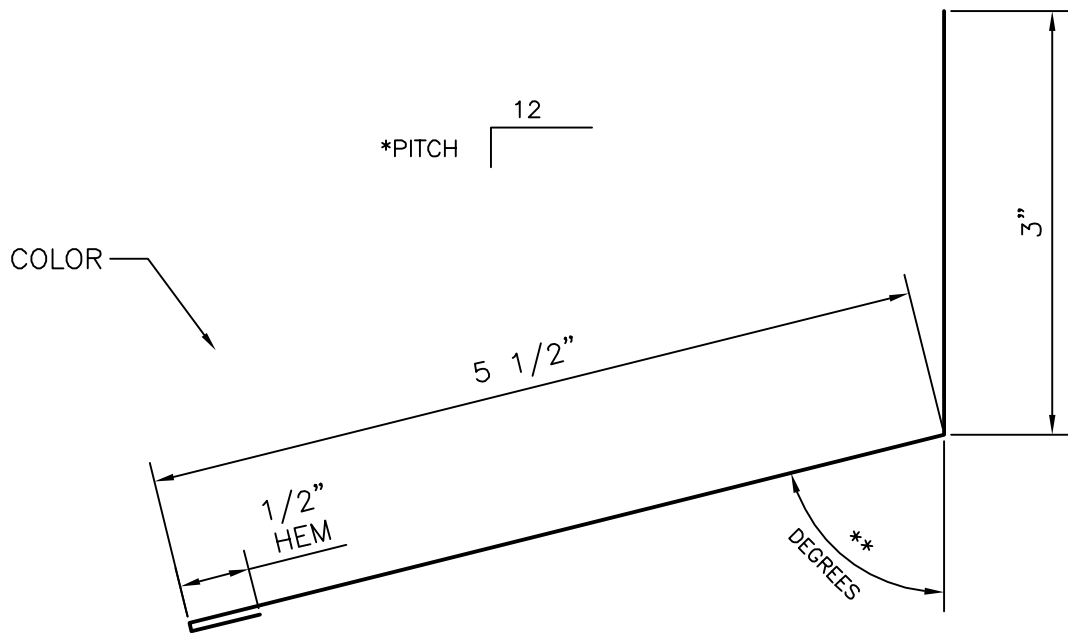
7-08-13 rev.
6-28-12

GIRTH: 15"
BENDS: AS SPECIFIED



FLARED EDGE TRIM

PANEL PROFILES	GAUGE
MET-TILE	26



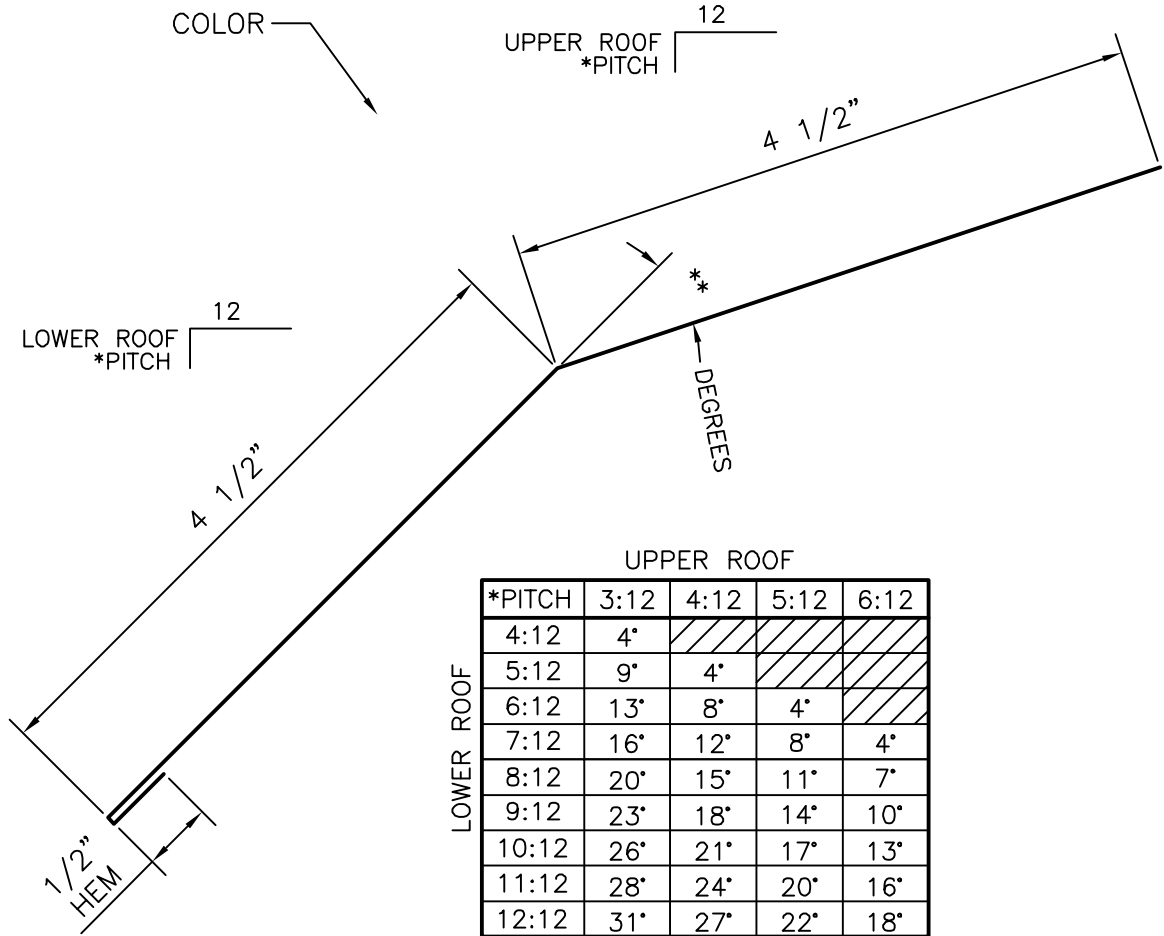
*PITCH	**DEGREES
1:12	85°
2:12	81°
3:12	76°
4:12	72°
5:12	67°
6:12	63°
7:12	60°
8:12	56°
9:12	53°
10:12	50°
11:12	47°
12:12	45°

COMMERCIAL HI-SIDE TIE-IN TRIM

PANEL PROFILES	GAUGE
MET-TILE	26

7-08-13 rev.
6-28-12

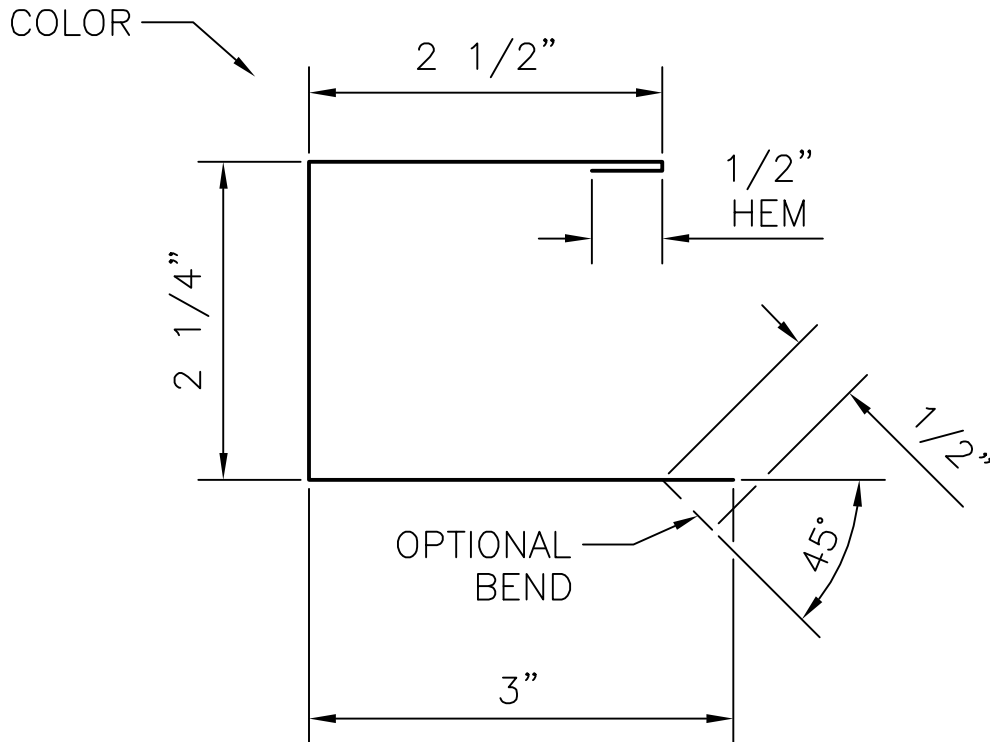
GIRTH: 9"
BENDS: AS SPECIFIED



		UPPER ROOF				
		*PITCH	3:12	4:12	5:12	6:12
LOWER ROOF	4:12	4°	/	/	/	/
	5:12	9°	4°	/	/	/
	6:12	13°	8°	4°	/	/
	7:12	16°	12°	8°	4°	
	8:12	20°	15°	11°	7°	
	9:12	23°	18°	14°	10°	
	10:12	26°	21°	17°	13°	
	11:12	28°	24°	20°	16°	
	12:12	31°	27°	22°	18°	

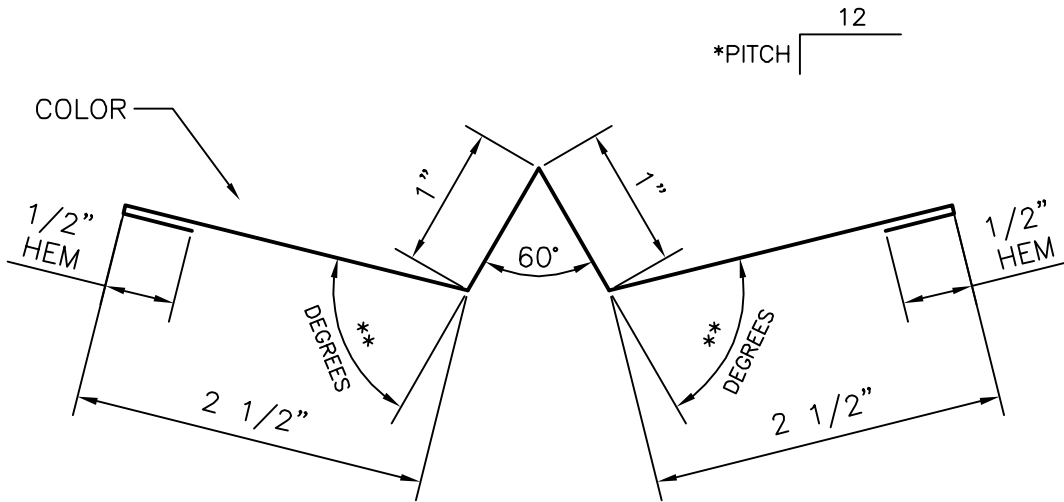
COMMERCIAL GAMBREL TRIM

PANEL PROFILES	GAUGE
MET-TILE	26



CAP TRIM

PANEL PROFILES	GAUGE
MET-TILE	26



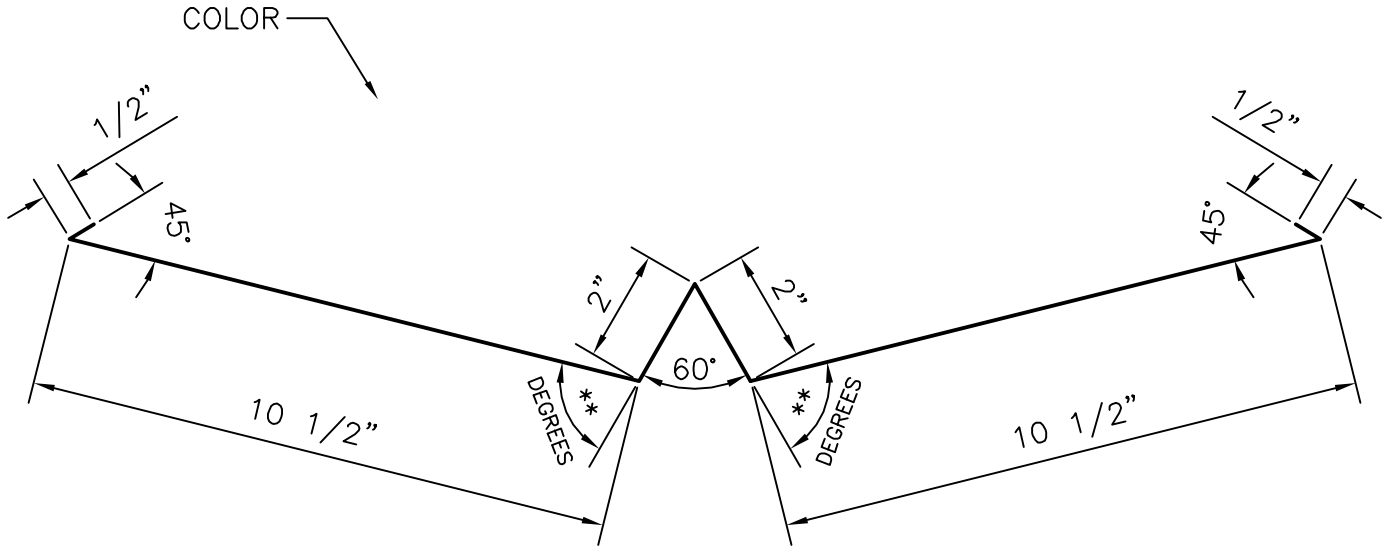
*PITCH	**DEGREES
1:12	63°
2:12	67°
3:12	70°
4:12	73°
5:12	76°
6:12	79°
7:12	83°
8:12	85°
9:12	88°
10:12	91°
11:12	94°
12:12	97°

VALLEY COVER TRIM

PANEL PROFILES	GAUGE
MET-TILE	26



*PITCH $\frac{12}{12}$



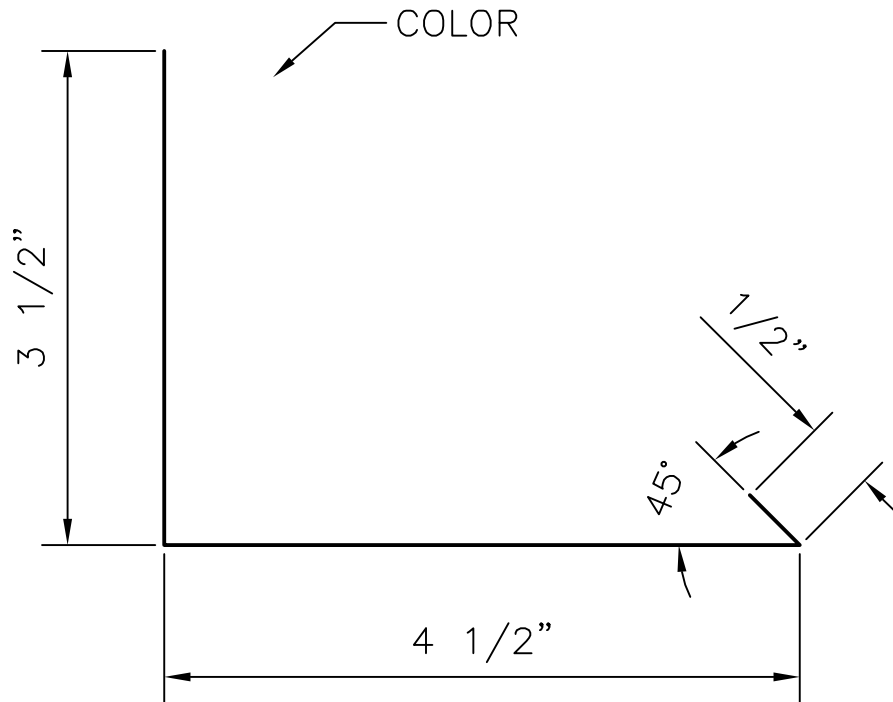
*PITCH	**DEGREES
1:12	63°
2:12	67°
3:12	70°
4:12	73°
5:12	76°
6:12	79°
7:12	83°
8:12	85°
9:12	88°
10:12	91°
11:12	94°
12:12	97°

VALLEY TRIM

PANEL PROFILES	GAUGE
MET-TILE	26

7-08-13 rev.
6-28-12

GIRTH: 26"
BENDS: AS SPECIFIED

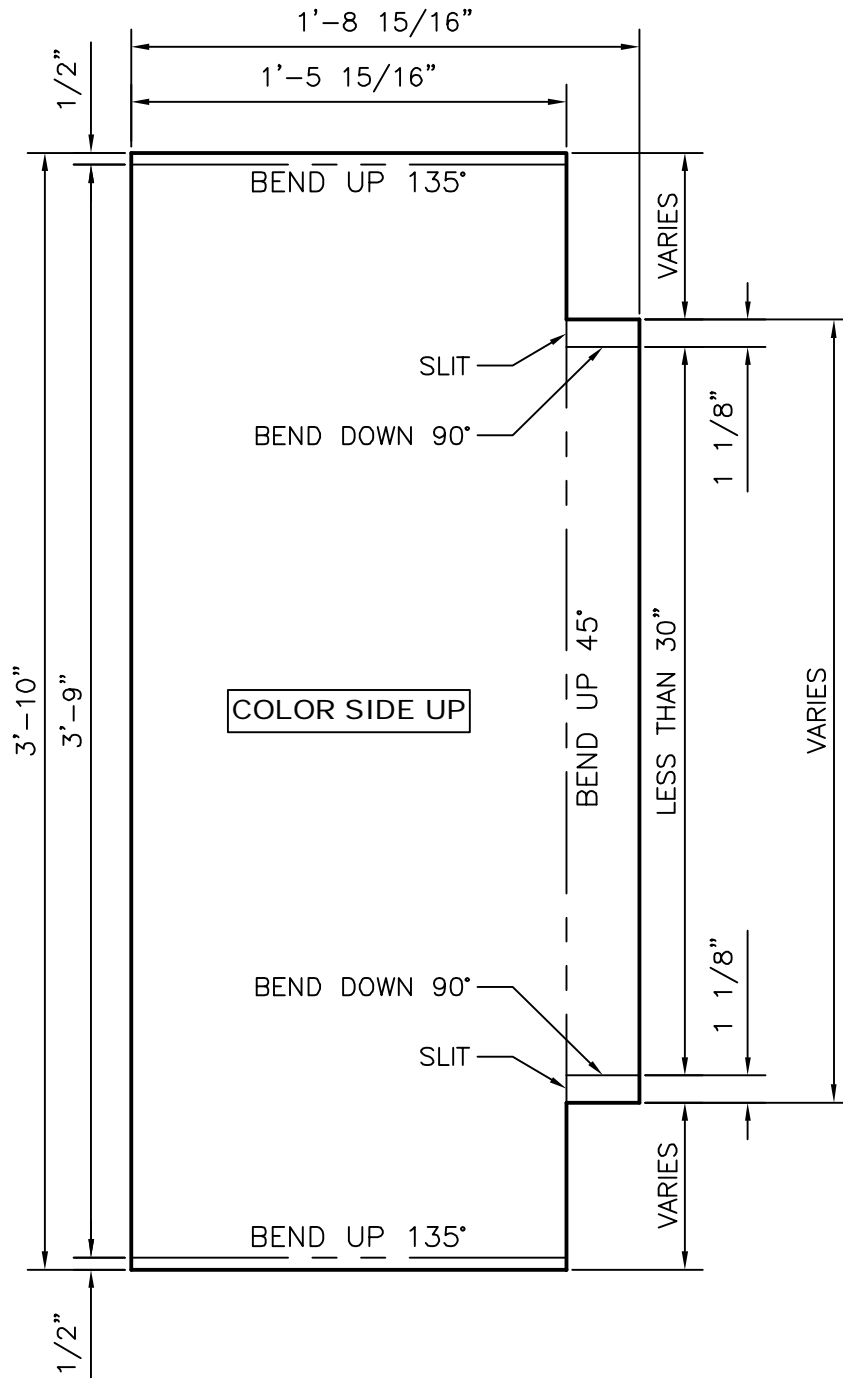


CRICKET / SADDLE LEG TRIM

PANEL PROFILES	GAUGE
MET-TILE	26

7-08-13 rev.
6-28-12

GIRTH: 8 1/2"
BENDS: 90° AND AS SPECIFIED



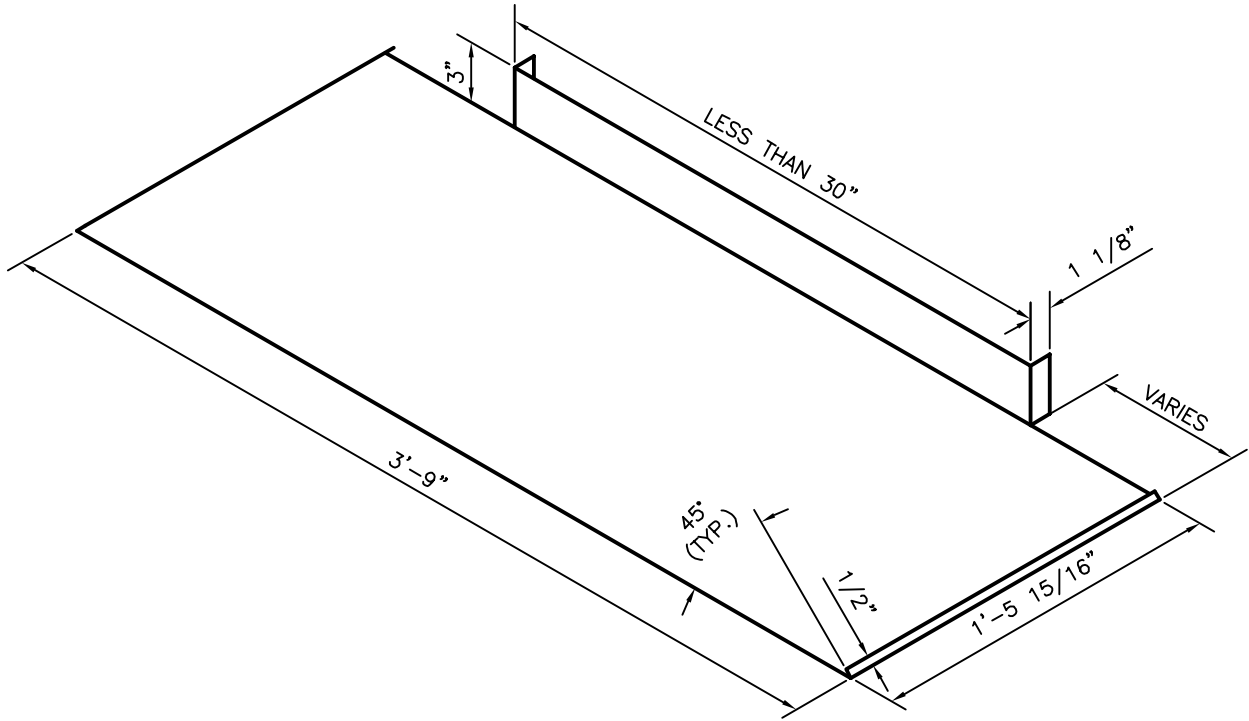
SADDLE - PATTERN

PANEL PROFILES	GAUGE
MET-TILE	26

7-08-13 rev.
6-28-12

SEE DWG. METTW-0015 FOR FINISHED PART
GIRTH: 3'-10" X 1'-8 15/16"
BENDS: AS SPECIFIED

345A

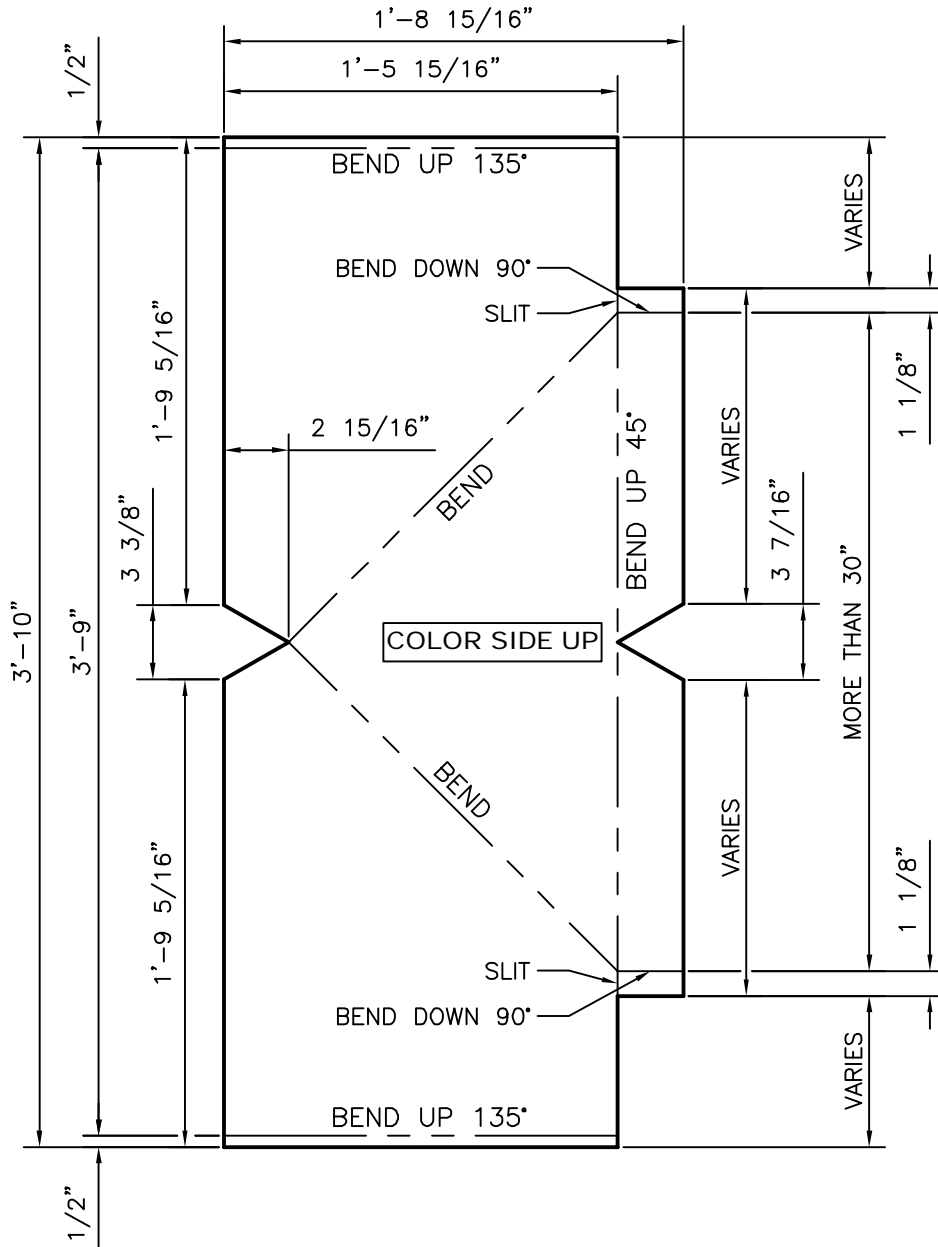


SADDLE - FINISHED

PANEL PROFILES	GAUGE
MET-TILE	26

7-08-13 rev.
6-28-12

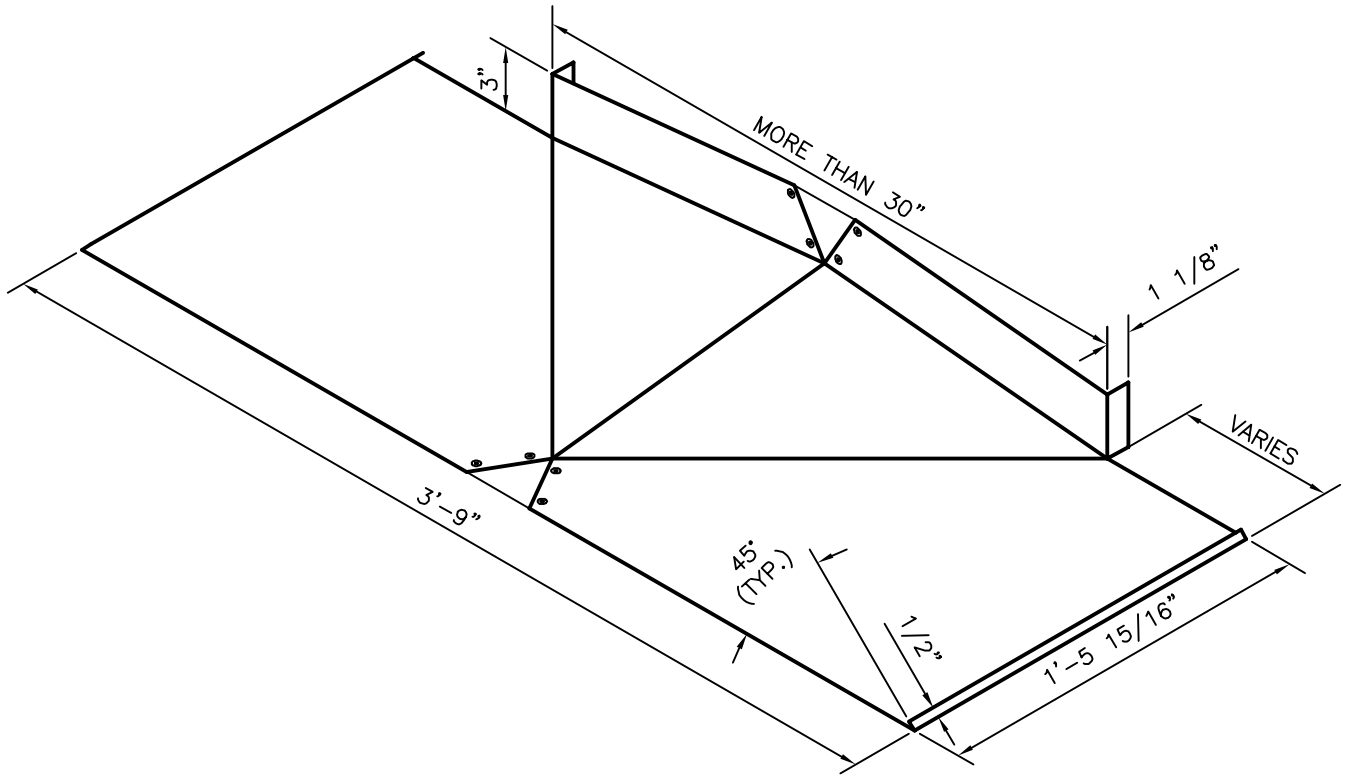
SEE DWG. METTW-0014 FOR PATTERN



CRICKET - PATTERN

PANEL PROFILES	GAUGE
MET-TILE	26

346A

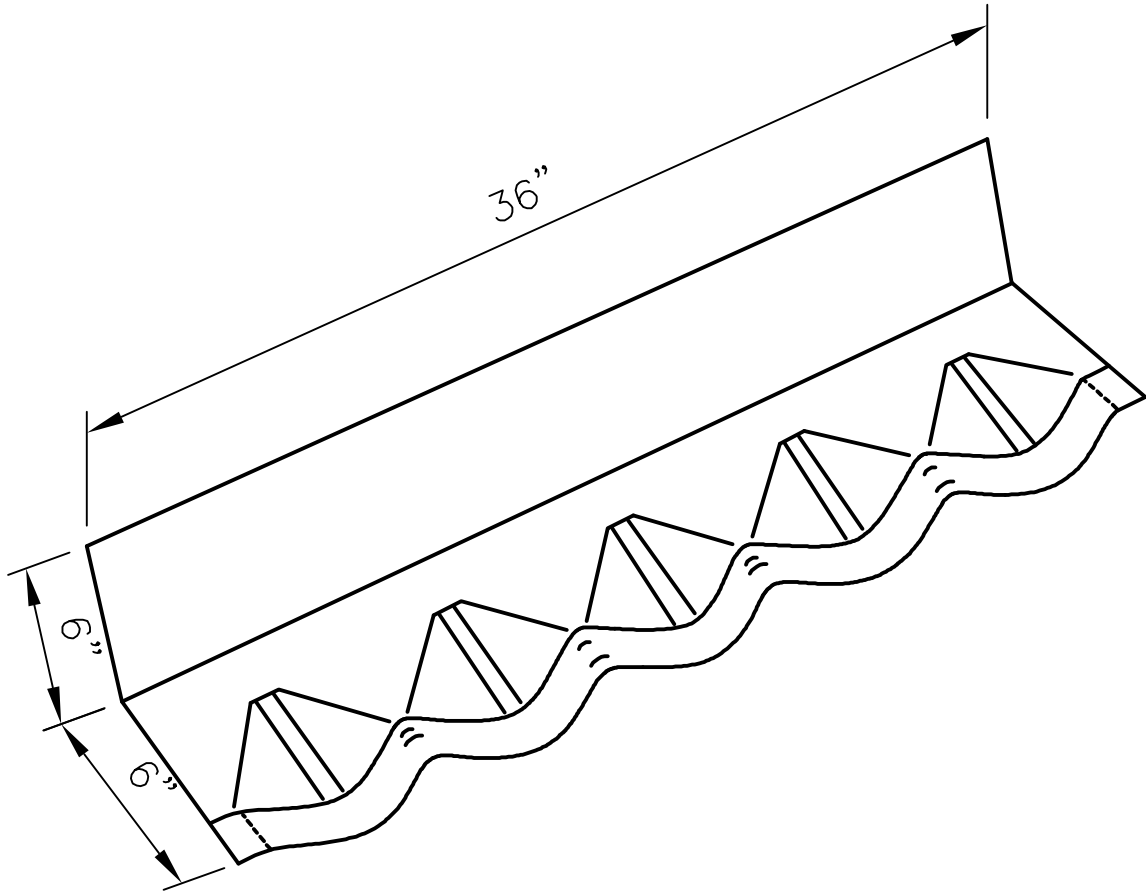


CRICKET - FINISHED

PANEL PROFILES	GAUGE
MET-TILE	26

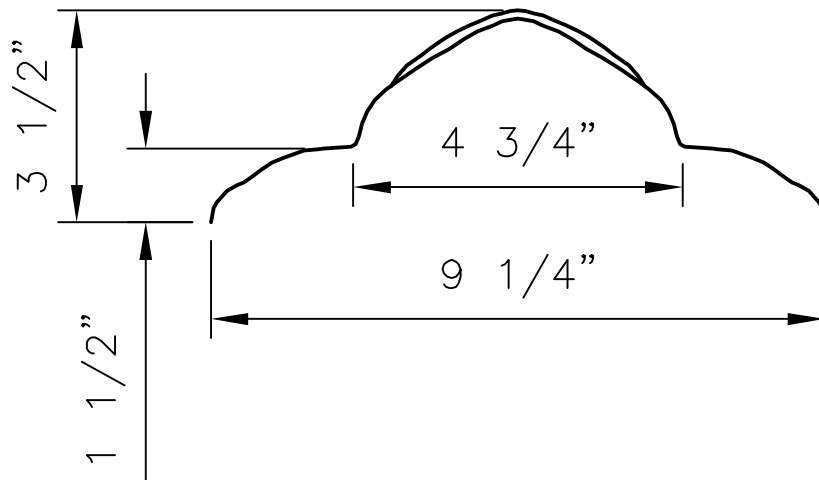
7-08-13 rev.
6-28-12

SEE DWG. METTW-0016 FOR PATTERN



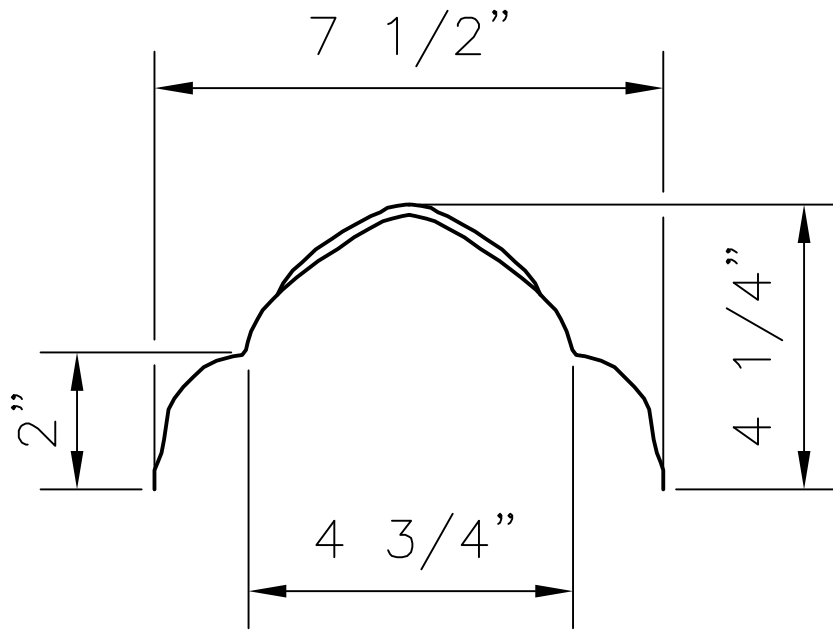
CONTOURED HI-SIDE TIE-IN TRIM

PANEL PROFILES	GAUGE
MET-TILE	26



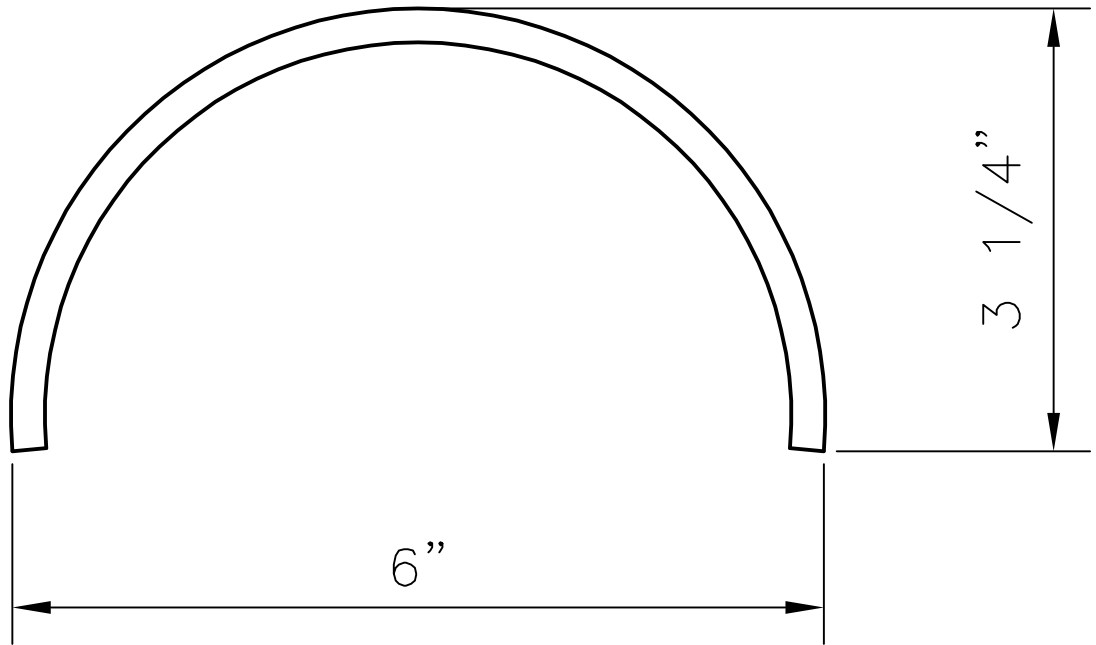
CONTOURED RIDGE FLASHING

PANEL PROFILES	GAUGE
MET-TILE	26



CONTOURED RAKE FLASHING

PANEL PROFILES	GAUGE
MET-TILE	26



SPANISH TILE RIDGE/HIP/RAKE FLASHING

PANEL PROFILES	GAUGE
MET-TILE	26