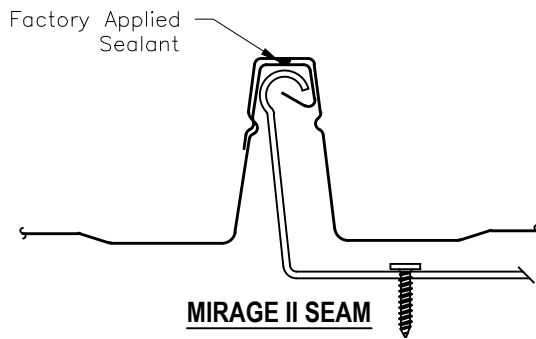
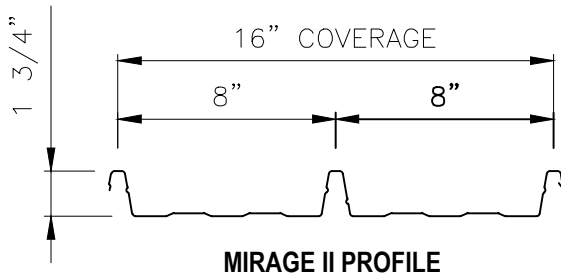


Mirage II Panel

Product Data



Applications

Snap Seamed roof panel used on slopes down to 1/4:12. (Factory applied sealant is required on seam "side laps" at less than 3:12 slope.) Continuous lengths up to 40'. Please inquire for longer lengths.

Substrates

Solid Wood Decking, Metal Deck, Rigid Insulation/Metal Deck or Open Framing.

Material

Standard - 24 GA. ASTM A792 (50 ksi steel) AZ55 - Bare
AZ50 - Painted

Manufacturing

Roll formed in factory.

Finishes

Acrylic Coated Galvalume®
Fluoropolymer (Kynar 500® PVDF resin-based)

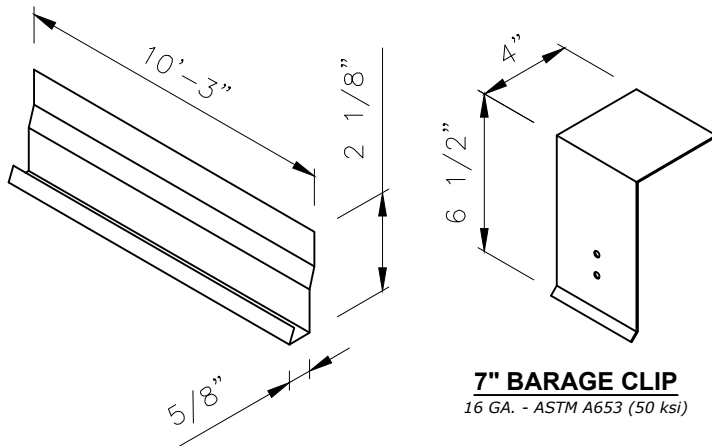
Pan Conditions

Ribbed
Oil canning is inherent in all metal panels and is not cause for panel rejection.

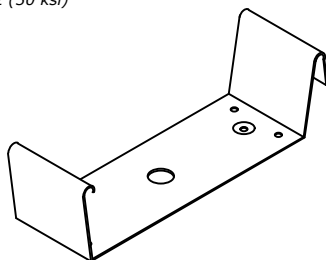
Testing *

Uplift: UL 580 Class 90 ASTM E1592
Fire Resistance: UL 263 & UL 790 Class A
Impact Testing: UL2218 Class 4
Florida Product Approval: FL 13647.1

Testing and Approvals are product specific. Please inquire for details.



BARAGE CLEAT
24 GA. - ASTM A792 (50 ksi)



NOTE:

All data represented on this sheet may not be applicable to all widths and gauges. Please contact McElroy Metal for more information.

