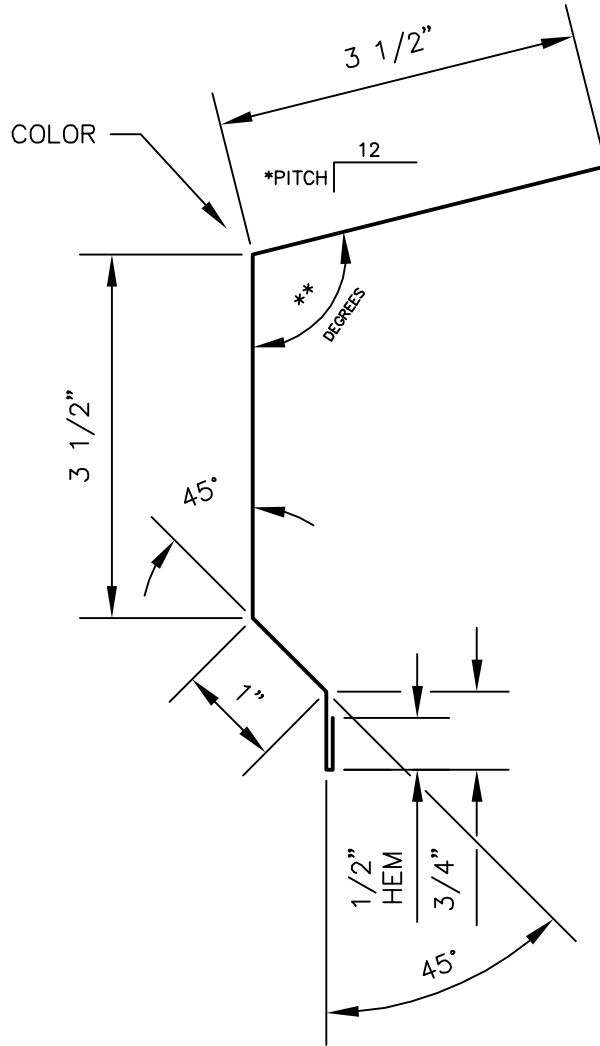


POST FRAME TRIM INDEX

<u>DWG #:</u>	<u>DESCRIPTION:</u>	<u>IMAGE #:</u>
PFTW-0001	Eave Trim	38
PFTW-0002	Door Track Cover "A" (National)	288
PFTW-0003	Sliding Door Jamb Trim	289
PFTW-0004	Walk Door & Window Trim	290
PFTW-0005	Zee Flashing	291
PFTW-0006	Outside Corner Trim	331
PFTW-0007	Inside Corner Trim	292
PFTW-0008	"J" Channel	293
PFTW-0009	Overhead Door Trim	294
PFTW-0010	Base Trim "A"	295
PFTW-0011	Base Trim "B"	296
PFTW-0012	Door Track Cover "B" (National)	297
PFTW-0013	Square Base Trim	298
PFTW-0014	Ridge Cap (P-RC-13)	77
PFTW-0015	Door & Edge Trim	299
PFTW-0017	Overhead Door Trim	300
PFTW-0018	Door Track Cover (Cannonball)	301
PFTW-0019	Rake & Gamble Trim	53
PFTW-0020	Rodent Guard (47°)	302
PFTW-0021	Double Door Track Cover (Cannonball)	303
PFTW-0022	Rodent Guard (65°)	304
PFTW-0023	Base & Drip Trim	305
PFTW-0024	High-Side Tie-In Trim	11
PFTW-0025	Rake Tie-In Trim	62
PFTW-0026	Soffit Trim	198
PFTW-0027	Valley Trim	27
PFTW-0028	Door Track Cover (Cannonball)	306
PFTW-0029	Inside Angle Trim	269
PFTW-0030	Shingle Rake Trim	50
PFTW-0031	Ridge Cap	78
PFTW-0032	Outside Angle Trim	268
PFTW-0033	Angle Trim - 1 1/2" (w/ Hems)	307
PFTW-0034	Angle Trim - 3 1/2" (w/ Hems)	308
PFTW-0035	Angle Trim - 5" (w/ Hems)	309
PFTW-0036	Angle Trim - 5 1/2" (w/ Hems)	310

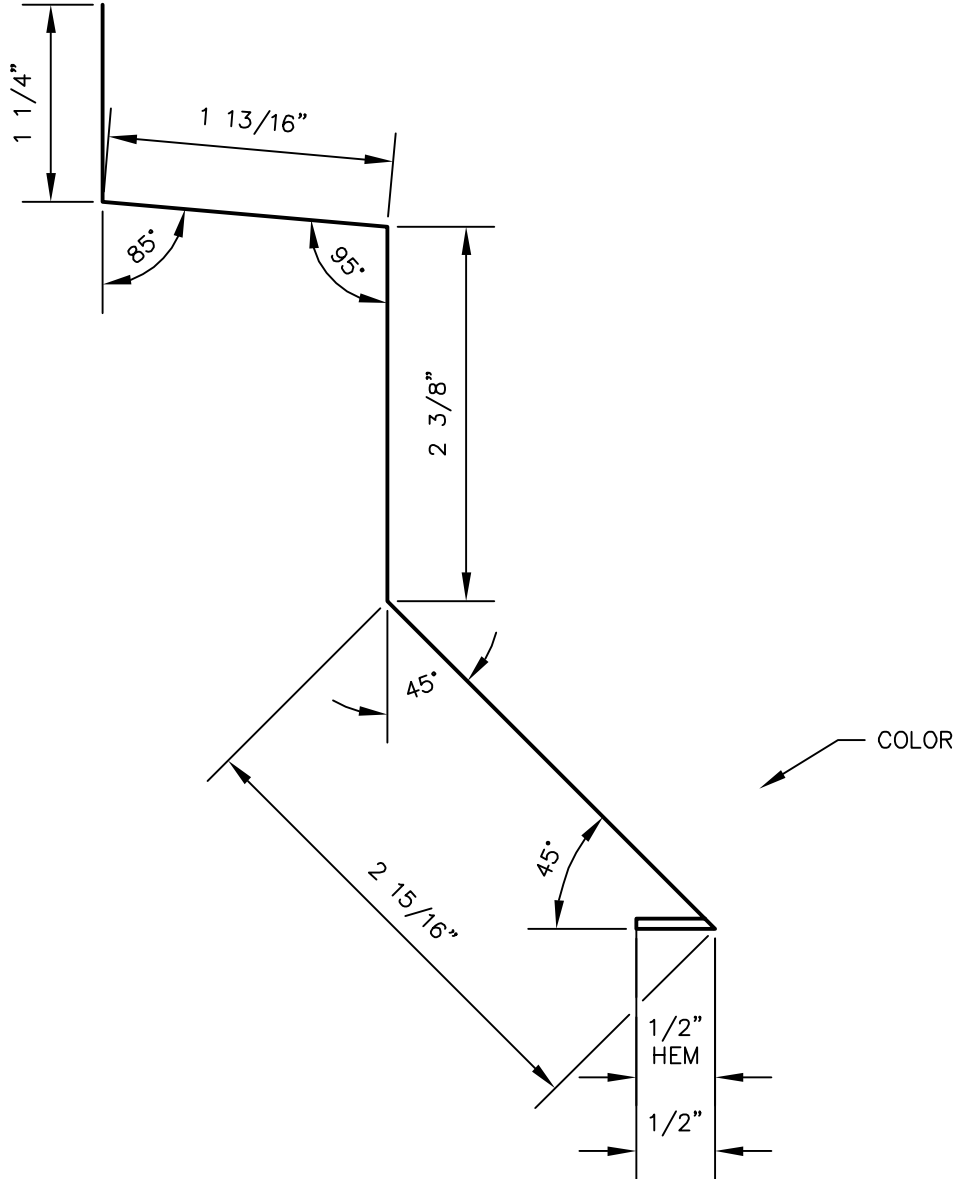
<u>DWG #:</u>	<u>DESCRIPTION:</u>	<u>IMAGE #:</u>
PFTW-0037	Angle Trim - 6" (w/ Hems)	311
PFTW-0038	Angle Trim - 7 1/4" (w/ Hems)	312
PFTW-0039	Angle Trim - 9 1/4" (w/ Hems)	313
PFTW-0040	Overhead Door Drip - 4 1/2"	314
PFTW-0041	Overhead Door Drip - 6"	315
PFTW-0042	Overhead Door Drip - 6 1/2"	316
PFTW-0043	Overhead Door Drip - 8"	317
PFTW-0044	Corner Sliding Door Jamb - 6"	318
PFTW-0045	Corner Sliding Door Jamb - 7 1/4"	319
PFTW-0046	Corner Sliding Door Jamb - 9 1/4"	320
PFTW-0047	Upper Gambrel	67
PFTW-0048	Lower Gambrel	68
PFTW-0049	Ridge Cap	79
PFTW-0052	F and J x 7/8"	321
PFTW-0053	F and J x 1 3/8"	322
PFTW-0056	F x 7/8"	323
PFTW-0057	Wide "J"	324
PFTW-0058	Gutter Apron	31
PFTW-0059	Overhead Door Trim - 4 1/2"	325
PFTW-0060	Overhead Door Trim - 6"	326
PFTW-0061	Overhead Door Trim - 6 1/2"	327
PFTW-0062	Overhead Door Trim - 8"	328
PFTW-0063	Mini Outside Corner Trim	329
PFTW-0064	Overhead Door Drip	330
PFTW-0065	Soffit Trim - 3 1/2"	197
PFTW-0066	High Side Eave Trim	10
PFTW-0067	Soffit Trim - 7 1/2"	451
PFTW-0068	Gutter End Cap	121
PFTW-0069	Angle Trim - 1 1/2" (w/o Hems)	501
PFTW-0070	Angle Trim - 3 1/2" (w/o Hems)	502
PFTW-0071	Angle Trim - 5 1/2" (w/o Hems)	503
PFTW-0072	Angle Trim - 7 1/4" (w/o Hems)	504
PFTW-0073	Angle Trim - 2" (w/o Hems)	505
PFTW-0074	Angle Trim - 3" (w/o Hems)	506
PFTW-0075	Angle Trim - 4" (w/o Hems)	507
PFTW-0076	Ridge Cap (w/o Hems)	83
PFTW-0077	Angle Trim - 6" (w/o Hems)	355
PFTW-0078	Angle Trim - 5" (w/o Hems)	356
PFTW-0079	Alt. Angle Trim - 1 1/2" (w/ 1 Hem)	1928
PFTW-0080	Alt. Angle Trim - 3 1/2" (w/ 1 Hem)	1929
PFTW-0081	Alt. Angle Trim - 5" (w/ 1 Hem)	1930
PFTW-0082	Alt. Angle Trim - 5 1/2" (w/ 1 Hem)	1931
PFTW-0083	Alt. Angle Trim - 6" (w/ 1 Hem)	1932
PFTW-0084	Alt. Angle Trim - 7 1/4" (w/ 1 Hem)	1933
PFTW-0085	Alt. Angle Trim - 9 1/4" (w/ 1 Hem)	1934
PFTW-0086	Angle Trim - 9 1/4" (w/o Hems)	863



*PITCH	**DEGREES
1:12	95°
2:12	99°
3:12	104°
4:12	108°
5:12	113°
6:12	117°
7:12	120°
8:12	124°
9:12	127°
10:12	130°
11:12	133°
12:12	135°

EAVE TRIM

PANEL PROFILES	GAUGE
MAX-RIB	29
MESA	29

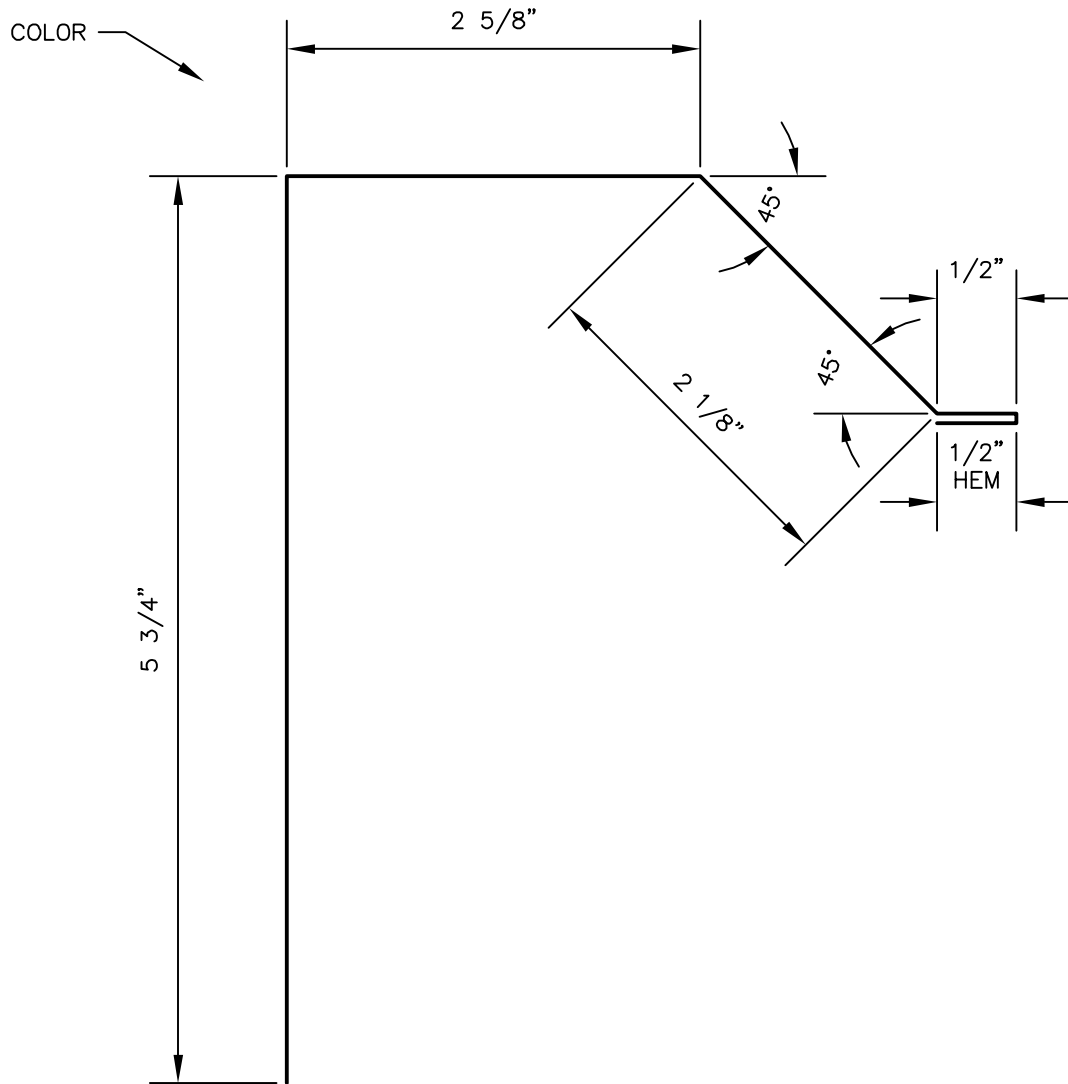


DOOR TRACK COVER "A"
(FOR USE WITH NATIONAL DOORS)

PANEL PROFILES	GAUGE
MAX-RIB	29
MESA	29

2-14-14 rev.
7-08-13 rev.
11-02-11 rev.
6-23-05 rev.
4-17-03 rev.
1-13-94

GIRTH: $9 \frac{3}{8}''$
BENDS: AS SPECIFIED

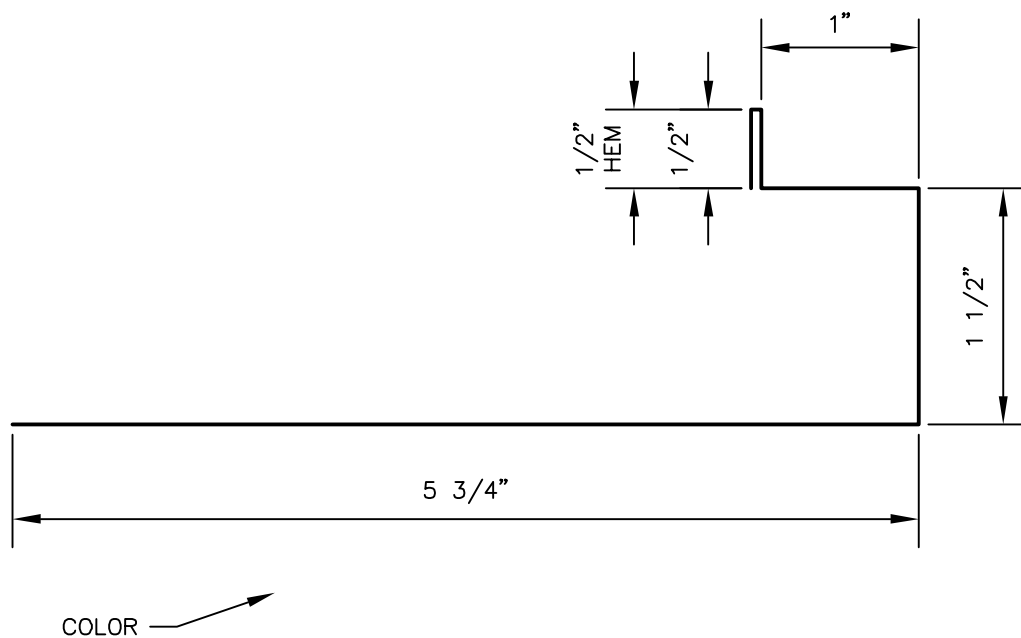


SLIDING DOOR JAMB TRIM

PANEL PROFILES	GAUGE
MAX-RIB	29
MESA	29

7-08-13 rev.
 11-02-11 rev.
 6-23-05 rev.
 4-17-03 rev.
 1-13-94

GIRTH: $11 \frac{1}{2}$ "
 BENDS: 90° AND AS SPECIFIED

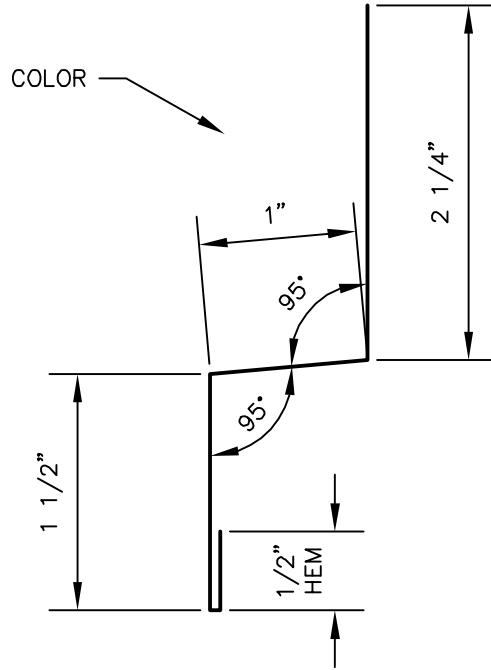


WALK DOOR & WINDOW TRIM

PANEL PROFILES	GAUGE
MAX-RIB	29
MESA	29

7-08-13 rev.
11-02-11 rev.
1-13-94

GIRTH: 9 1/4"
BENDS: 90°

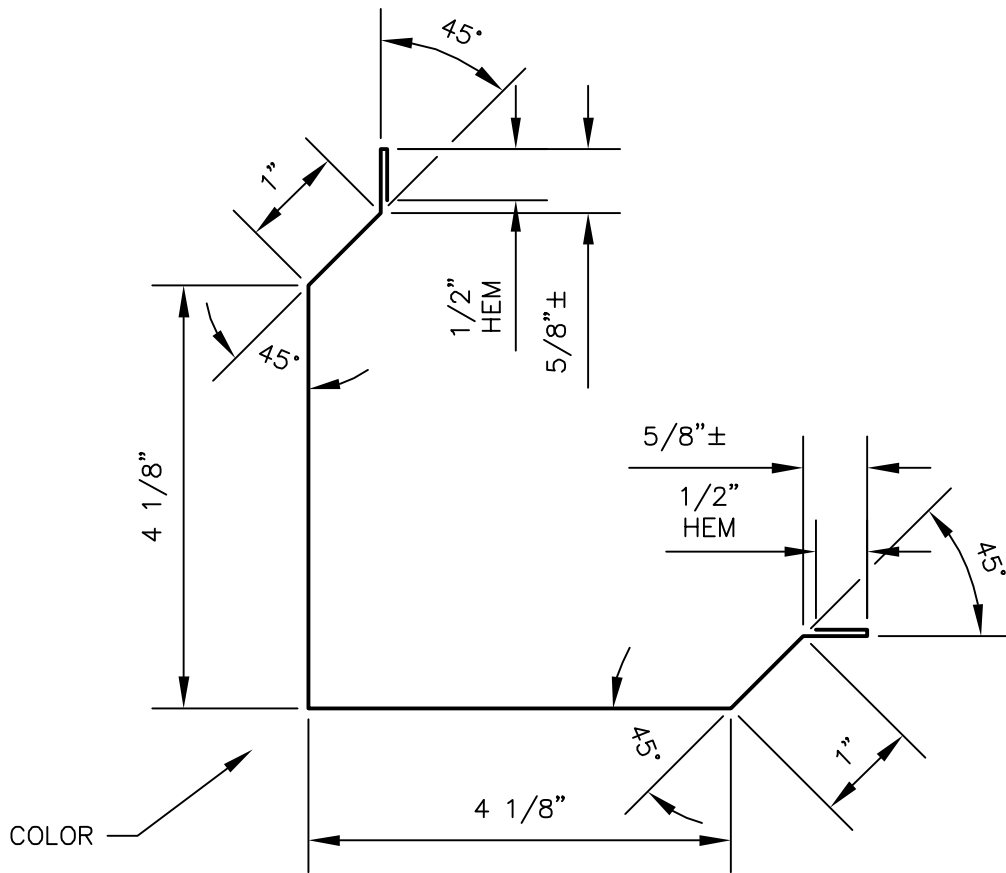


ZEE FLASHING

PANEL PROFILES	GAUGE
MAX-RIB	29
MESA	29

7-08-13 rev.
 11-02-11 rev.
 6-23-05 rev.
 4-18-03 rev.
 1-13-94

GIRTH: $5\ 1/4"$
 BENDS: AS SPECIFIED

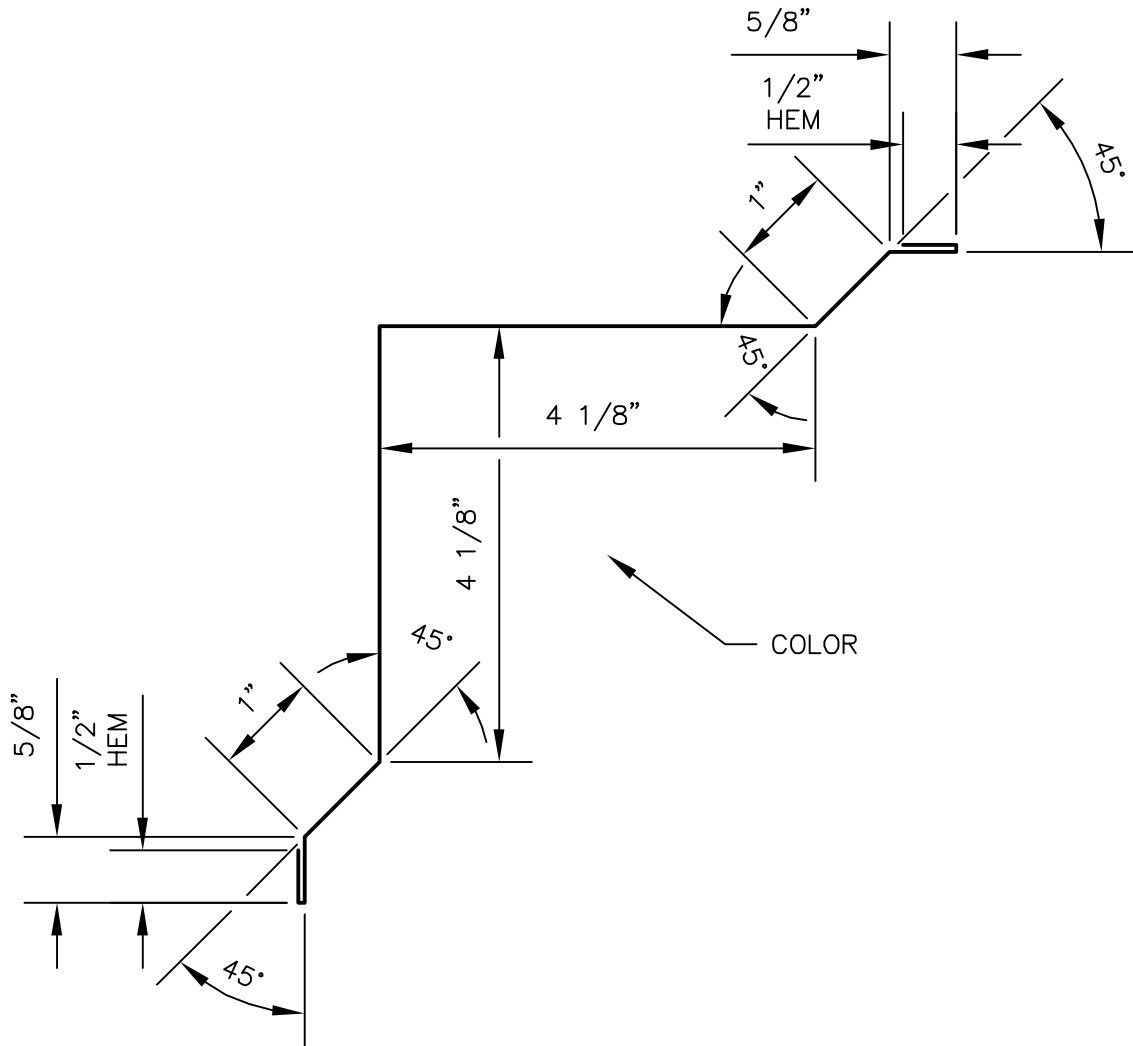


OUTSIDE CORNER TRIM

PANEL PROFILES	GAUGE
MAX-RIB	29
MESA	29

7-08-13 rev.
 10-13-11 rev.
 11-20-06 rev.
 5-23-06 rev.
 1-13-94

GIRTH: $12 \frac{1}{2}$ "
 BENDS: 90° AND AS SPECIFIED

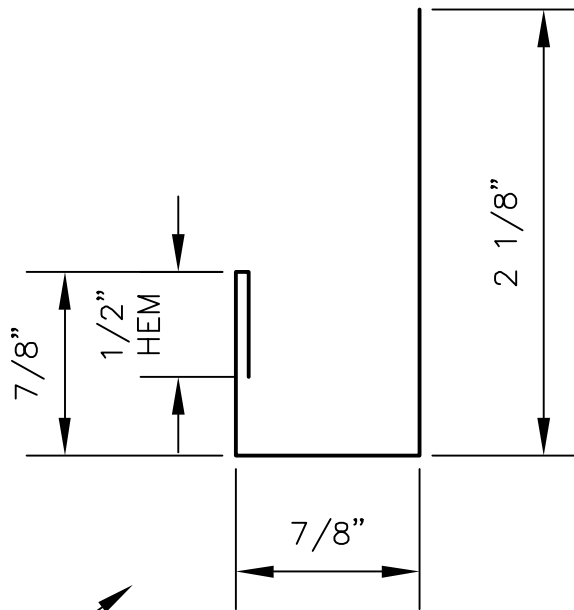


INSIDE CORNER TRIM

PANEL PROFILES	GAUGE
MAX-RIB	29
MESA	29

7-08-13 rev.
 10-13-11 rev.
 11-20-06 rev.
 5-23-06 rev.
 4-18-03 rev.
 1-13-94

GIRTH: 12 1/2"
 BENDS: 90° AND AS SPECIFIED



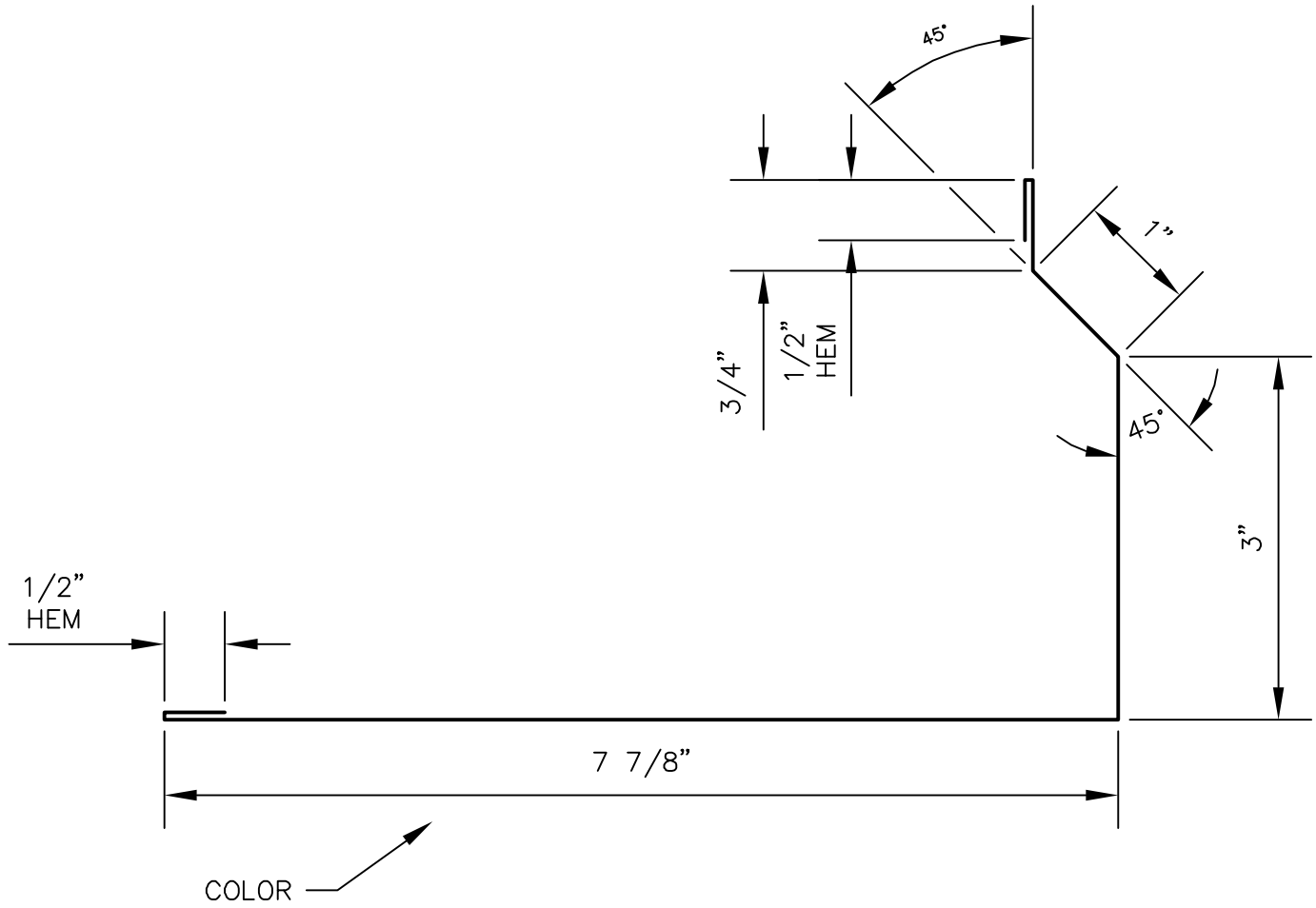
COLOR →

"J" CHANNEL

PANEL PROFILES	GAUGE
MAX-RIB	29
MESA	29
MINI-RIB	26 or 29

3-18-20 rev.
 7-08-13 rev.
 11-02-11 rev.
 1-13-94

GIRTH: 4 3/8"
 BENDS: 90°

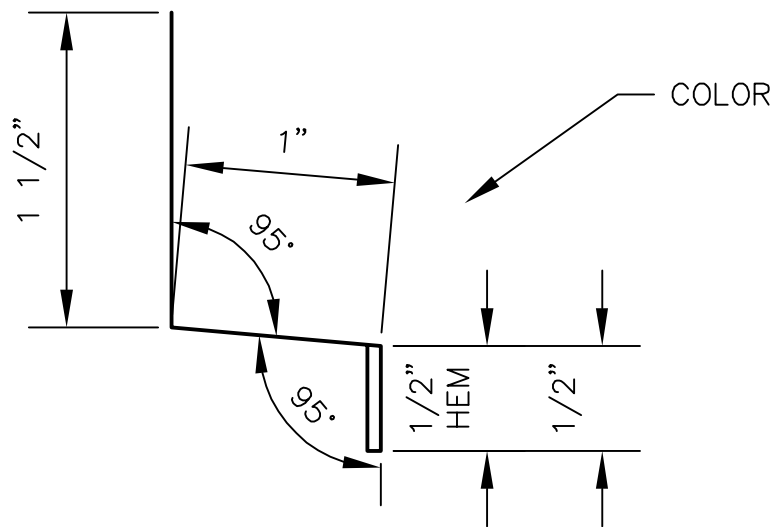


OVERHEAD DOOR TRIM

PANEL PROFILES	GAUGE
MAX-RIB	29
MESA	29

5-08-13 rev.
 11-02-11 rev.
 4-18-03 rev.
 1-13-94

GIRTH: 13 5/8"
 BENDS: 90° AND AS SPECIFIED

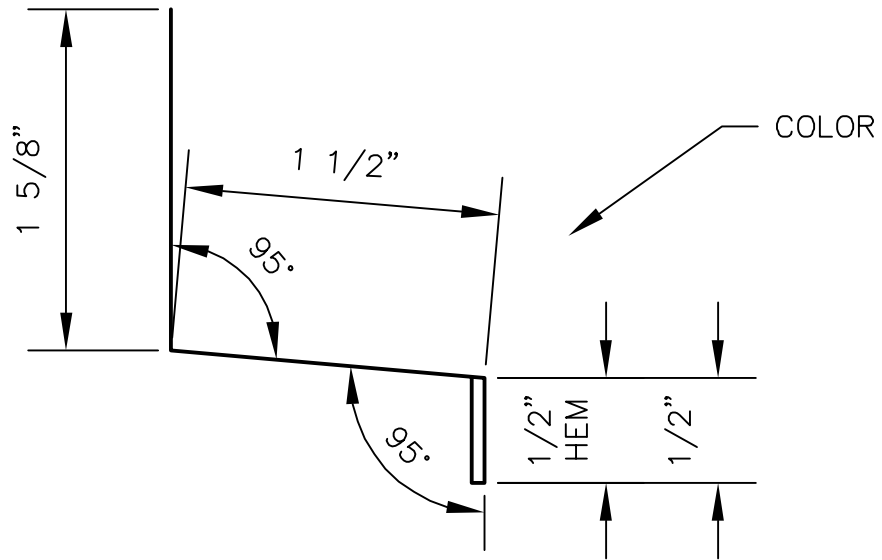


BASE TRIM "A"

PANEL PROFILES	GAUGE
MAX-RIB	29
MESA	29
MINI-RIB	26 or 29

3-18-20 rev.
7-08-13 rev.
11-02-11 rev.
9-19-05 rev.
1-13-94

GIRTH: 3 1/2"
BENDS: 90° AND AS SPECIFIED

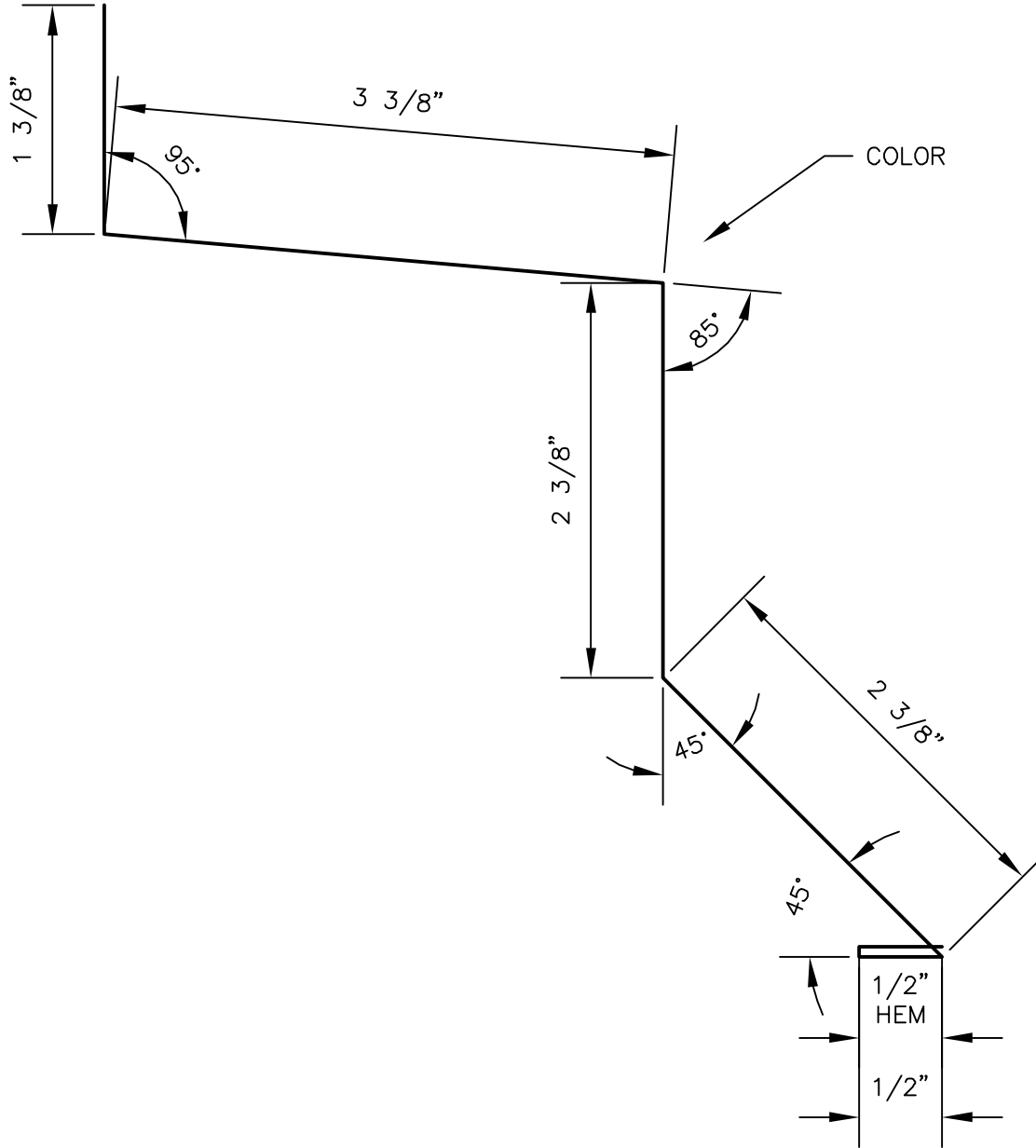


BASE TRIM "B"

PANEL PROFILES	GAUGE
MAX-RIB	29
MESA	29

7-08-13 rev.
 11-02-11 rev.
 7-05-05 rev.
 4-17-03 rev.
 1-13-94

GIRTH: $4 \frac{1}{8}$ "
 BENDS: AS SPECIFIED



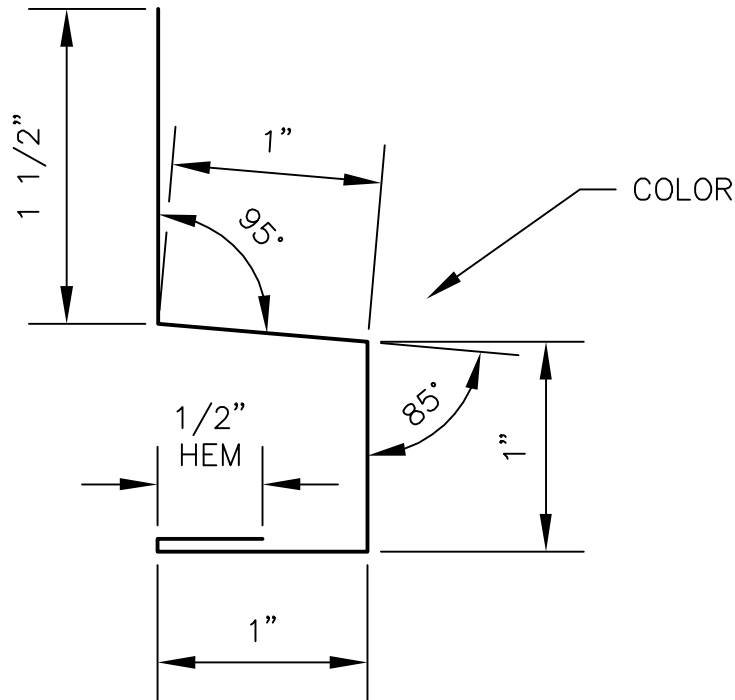
DOOR TRACK COVER "B"

(FOR USE WITH NATIONAL DOORS)

PANEL PROFILES	GAUGE
MAX-RIB	29
MESA	29

7-08-13 rev.
 11-02-11 rev.
 7-05-05 rev.
 4-05-04

GIRTH: 10 1/2"
 BENDS: AS SPECIFIED

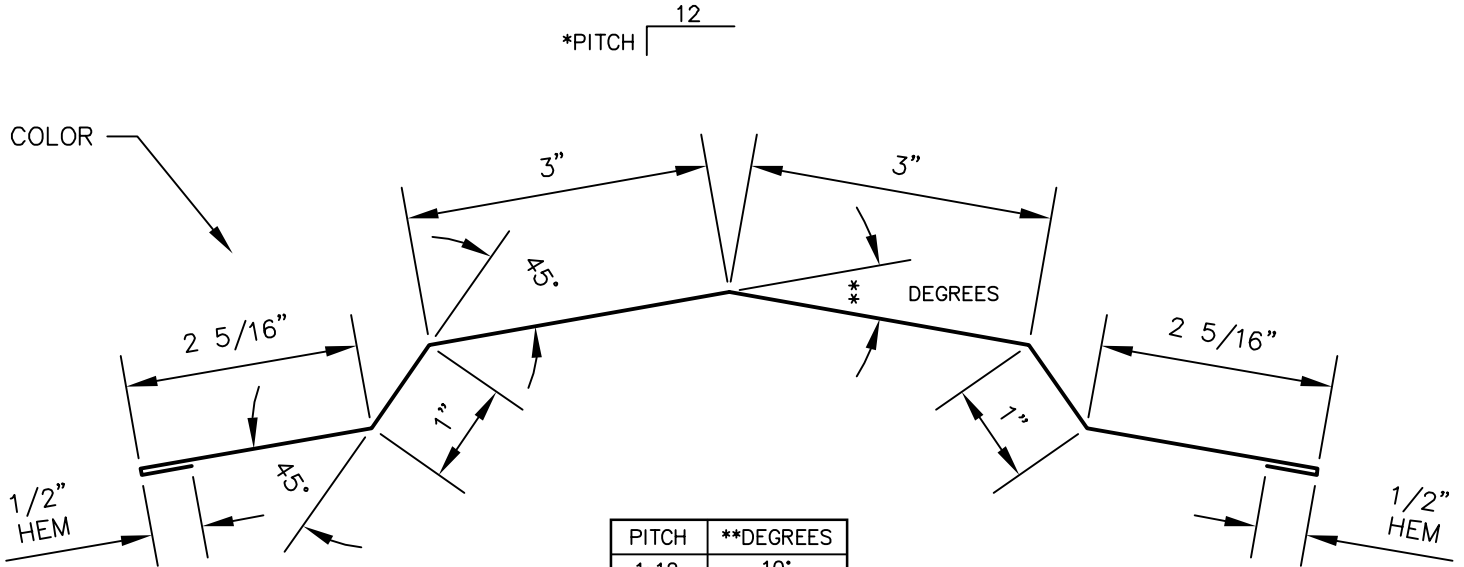


SQUARE BASE TRIM

PANEL PROFILES	GAUGE
MAX-RIB	29
MESA	29
MINI-RIB	26 or 29

3-18-20 rev.
 7-08-13 rev.
 11-02-11 rev.
 7-05-05 rev.
 3-07-05

GIRTH: 5"
 BENDS: 90° AND AS SPECIFIED



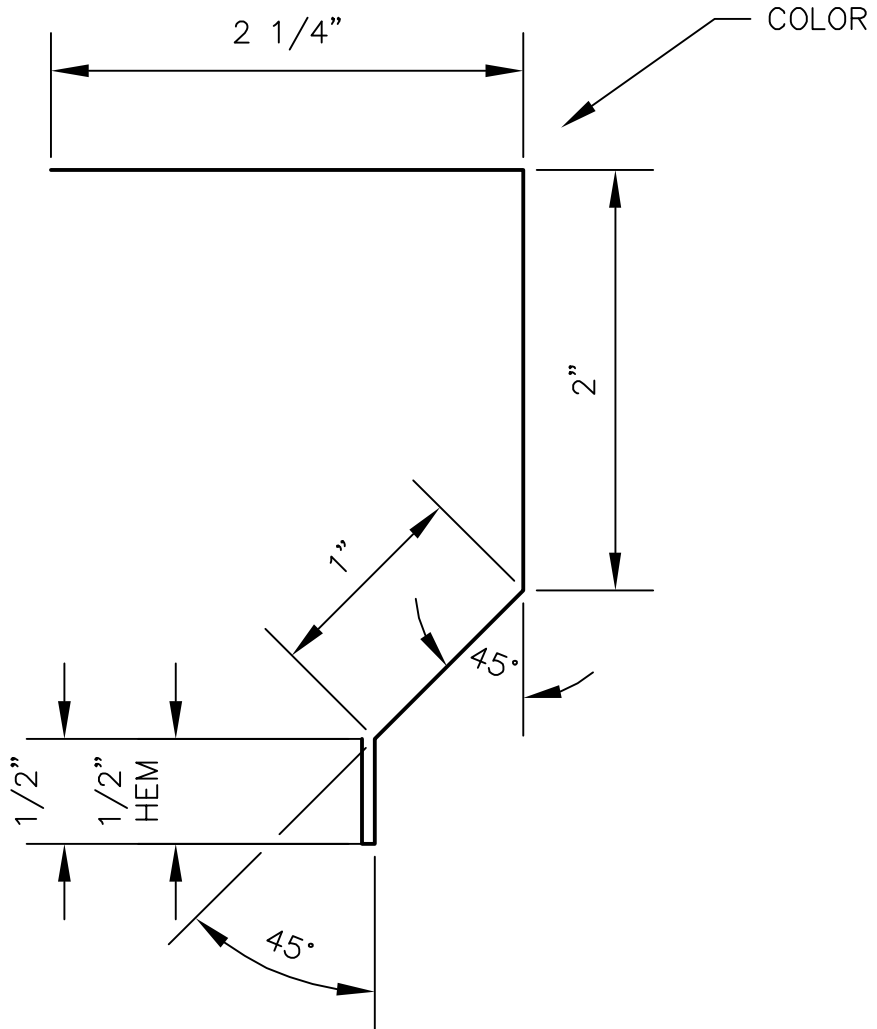
PITCH	**DEGREES
1:12	10°
2:12	19°
3:12	28°
4:12	37°
5:12	45°
6:12	53°
7:12	61°
8:12	68°
9:12	74°
10:12	80°
11:12	85°
12:12	90°

RIDGE CAP
(P-RC-13)

PANEL PROFILES	GAUGE
MAX-RIB	29
MESA	29

7-08-13 rev.
 7-20-11 rev.
 5-23-06 rev.
 4-08-05 rev.
 9-9-96

GIRTH: 13 5/8"
 BENDS: 90° UNLESS SPECIFIED

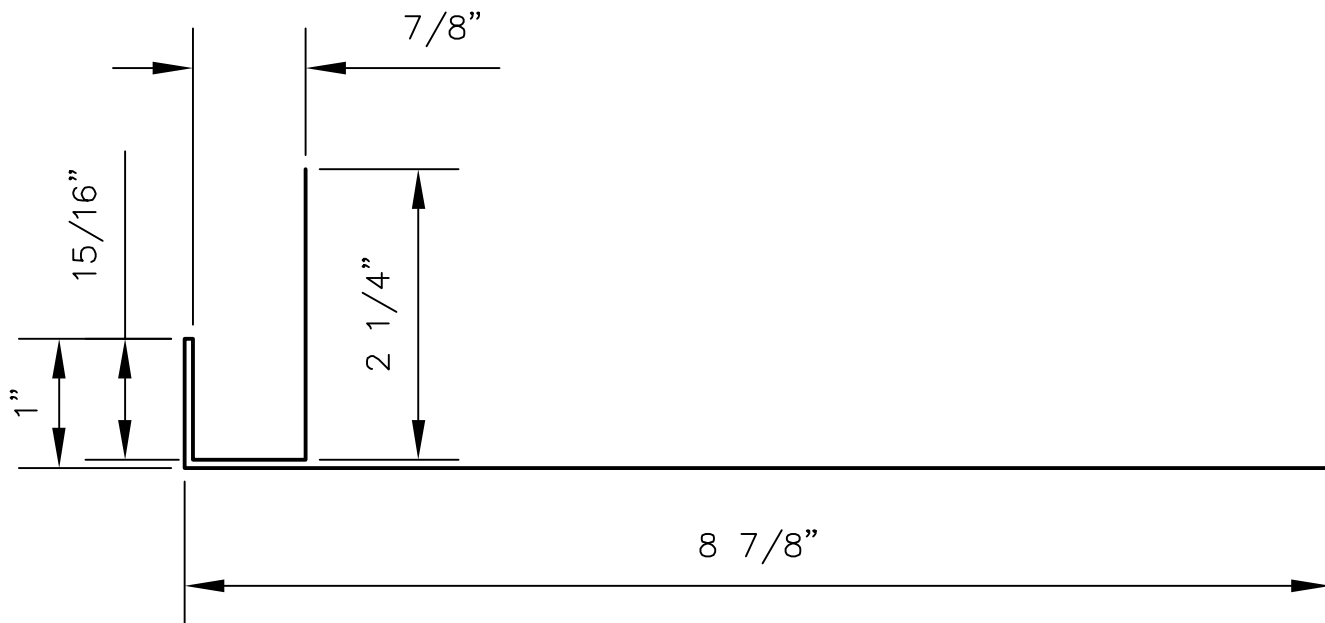


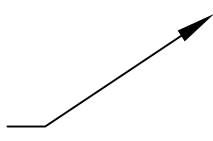
DOOR AND EDGE TRIM

PANEL PROFILES	GAUGE
MAX-RIB	29
MESA	29

7-08-13 rev.
11-02-11 rev.
4-21-03 rev.
1-13-94

GIRTH: 6 1/4"
BENDS: 90° AND AS SPECIFIED



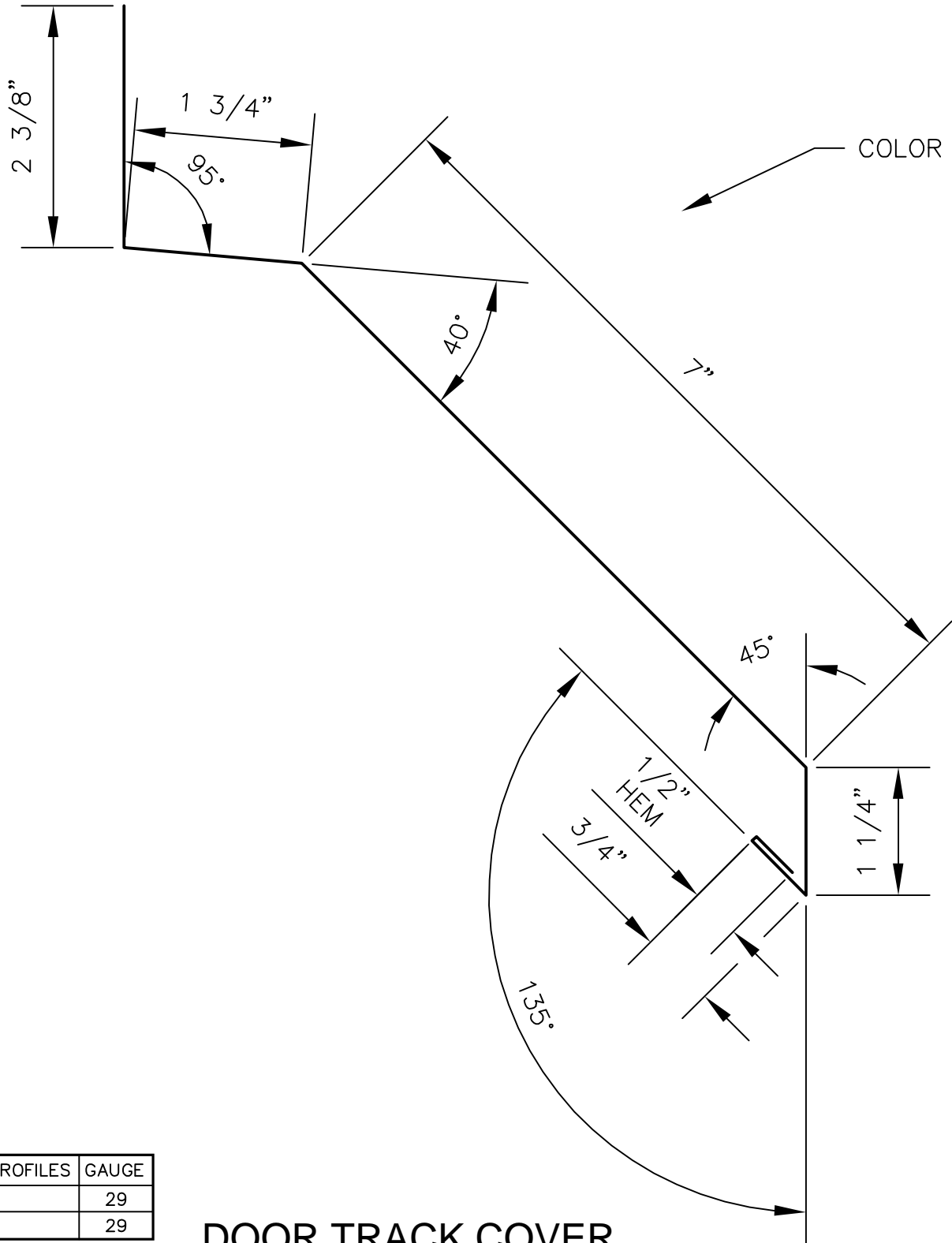
COLOR 

OVERHEAD DOOR TRIM

PANEL PROFILES	GAUGE
MAX-RIB	29
MESA	29
MINI-RIB	26 or 29

3-18-20 rev.
 7-08-13 rev.
 11-02-11 rev.
 1-13-94

GIRTH: $13 \ 15/16"$
 BENDS: 90°

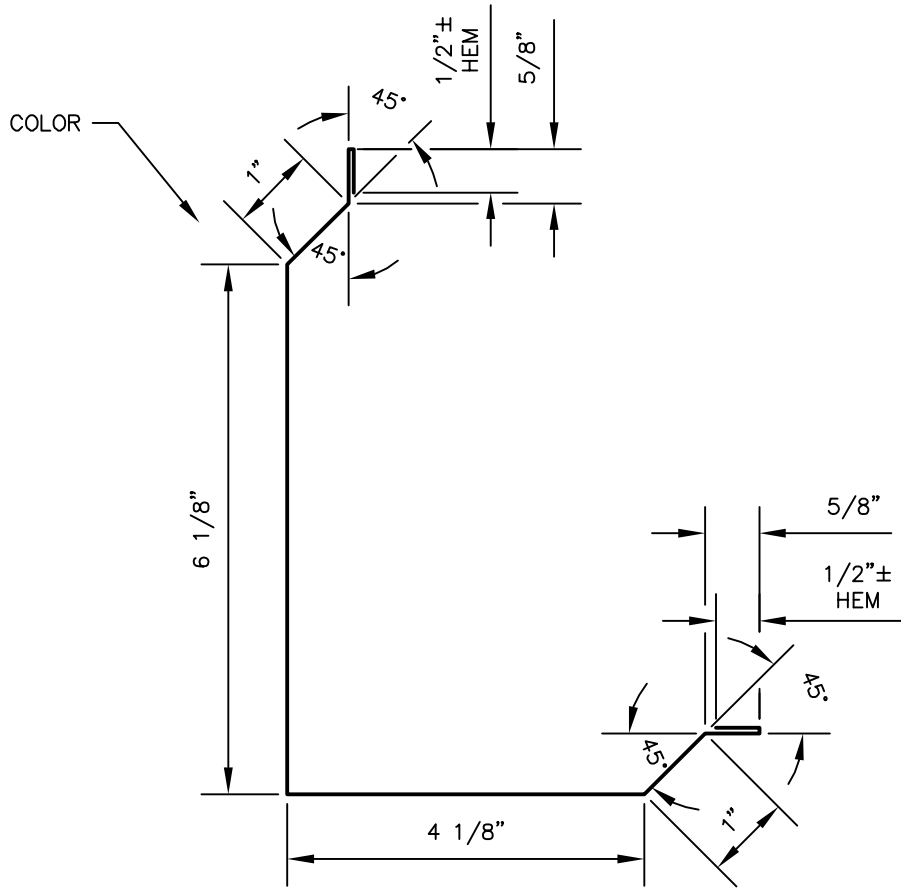


PANEL PROFILES	GAUGE
MAX-RIB	29
MESA	29

DOOR TRACK COVER
(FOR USE WITH CANNONBALL DOORS)

7-08-13 rev.
11-02-11 rev.
9-19-05 rev.
1-13-94

GIRTH: $13 \frac{5}{8}$ "
BENDS: 90° AND AS SPECIFIED

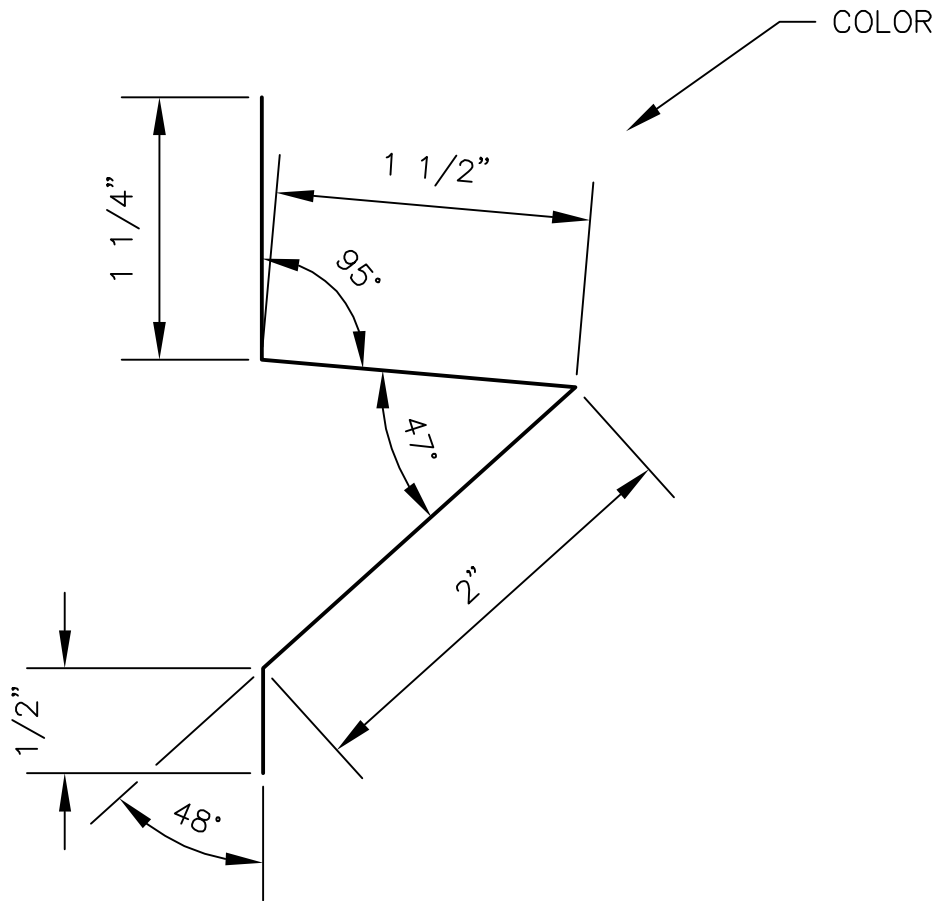


RAKE AND GABLE TRIM

PANEL PROFILES	GAUGE
MAX-RIB	29
MESA	29

5-08-13 rev.
6-20-11

GIRTH: $14 \frac{1}{2}"$
BENDS: 90° AND AS SPECIFIED

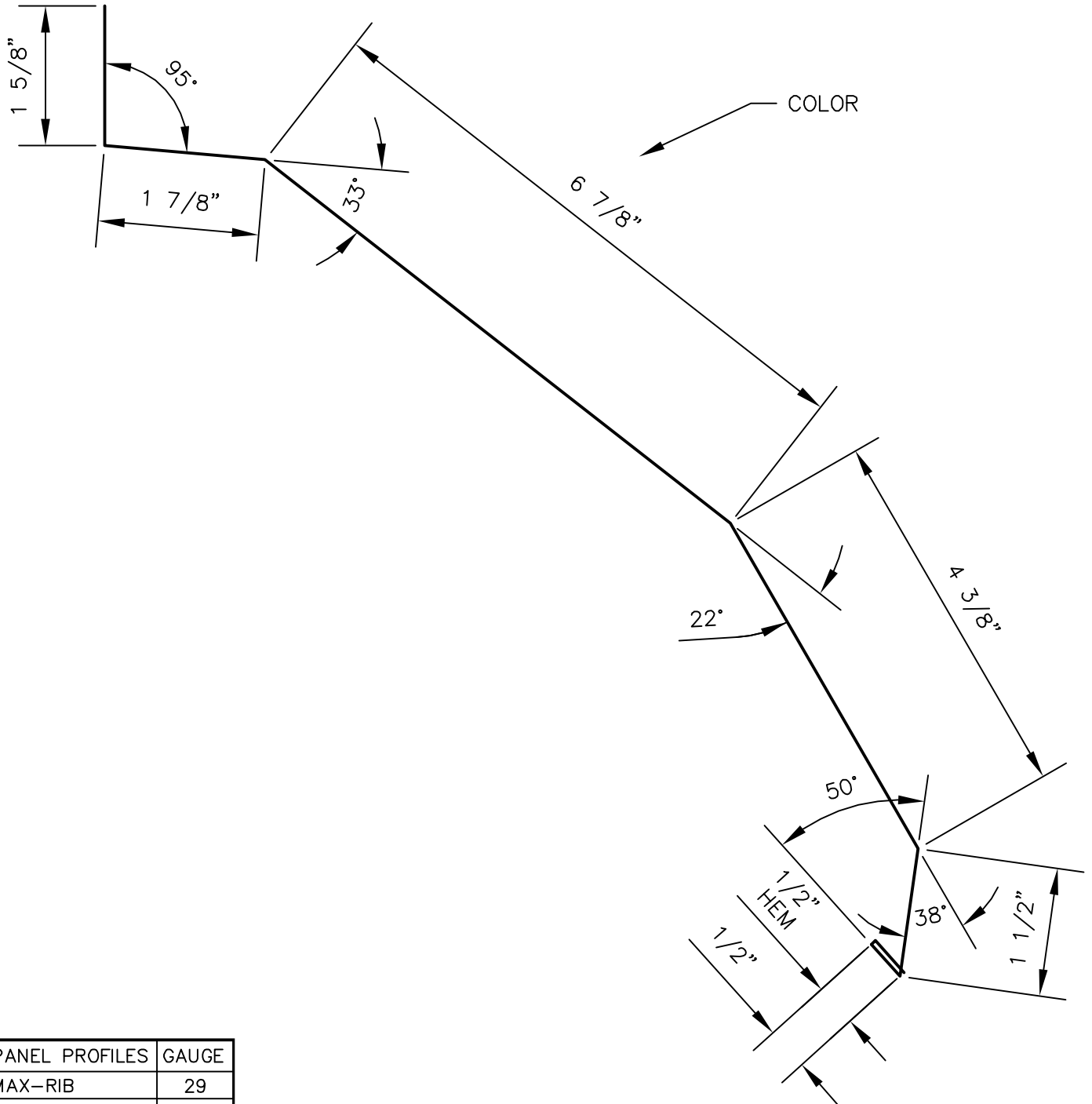


RODENT GUARD (47°)

PANEL PROFILES	GAUGE
MAX-RIB	29
MESA	29

7-08-13 rev.
 11-02-11 rev.
 7-05-05 rev.
 5-09-05 rev.
 3-07-05

GIRTH: $5\ 1/4"$
 BENDS: AS SPECIFIED



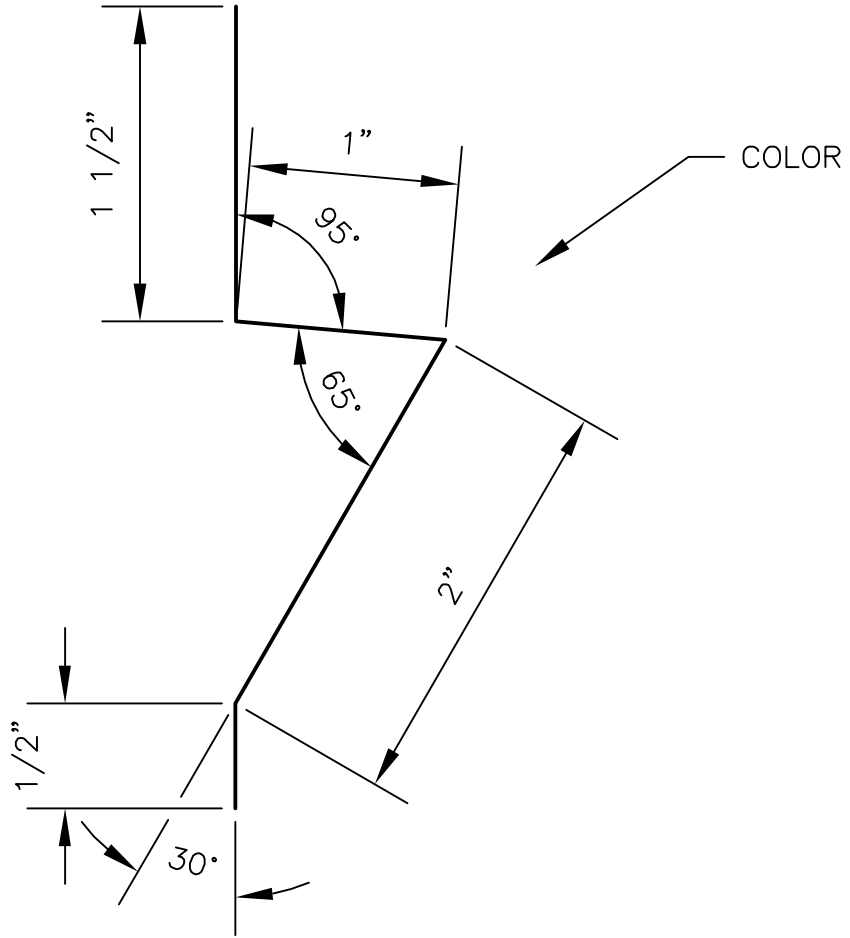
PANEL PROFILES	GAUGE
MAX-RIB	29
MESA	29

DOOR DOUBLE TRACK COVER

(FOR USE WITH CANNONBALL DOORS)

5-08-13 rev.
 11-02-11 rev.
 11-20-06 rev.
 7-05-05 rev.
 5-27-03 rev.
 9-05-02

GIRTH: 17 1/4"
 BENDS: AS SPECIFIED

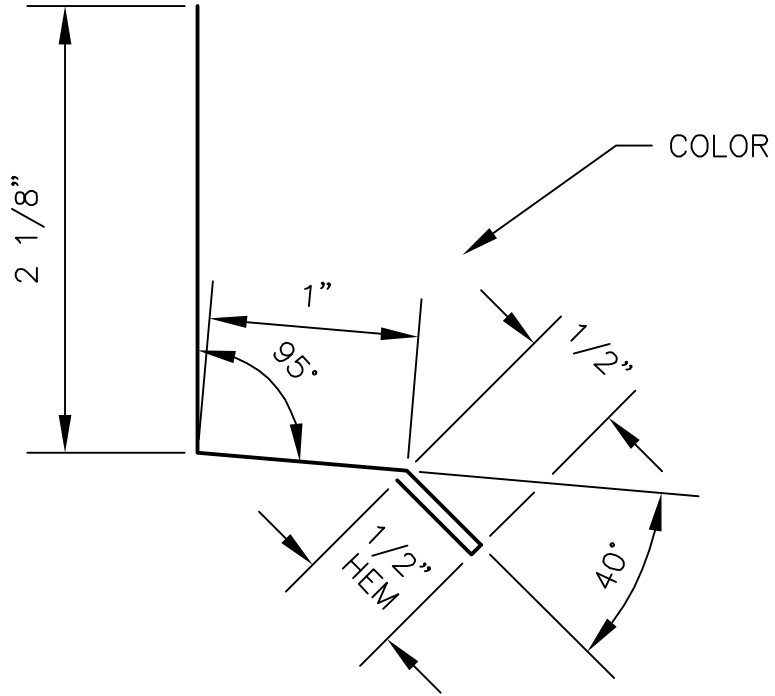


RODENT GUARD (65°)

PANEL PROFILES	GAUGE
MAX-RIB	29
MESA	29
MINI-RIB	26 or 29

3-18-20 rev.
 7-08-13 rev.
 11-02-11 rev.
 7-05-05 rev.
 5-09-05 rev.
 9-09-96

GIRTH: 5"
 BENDS: AS SPECIFIED



BASE & DRIP TRIM

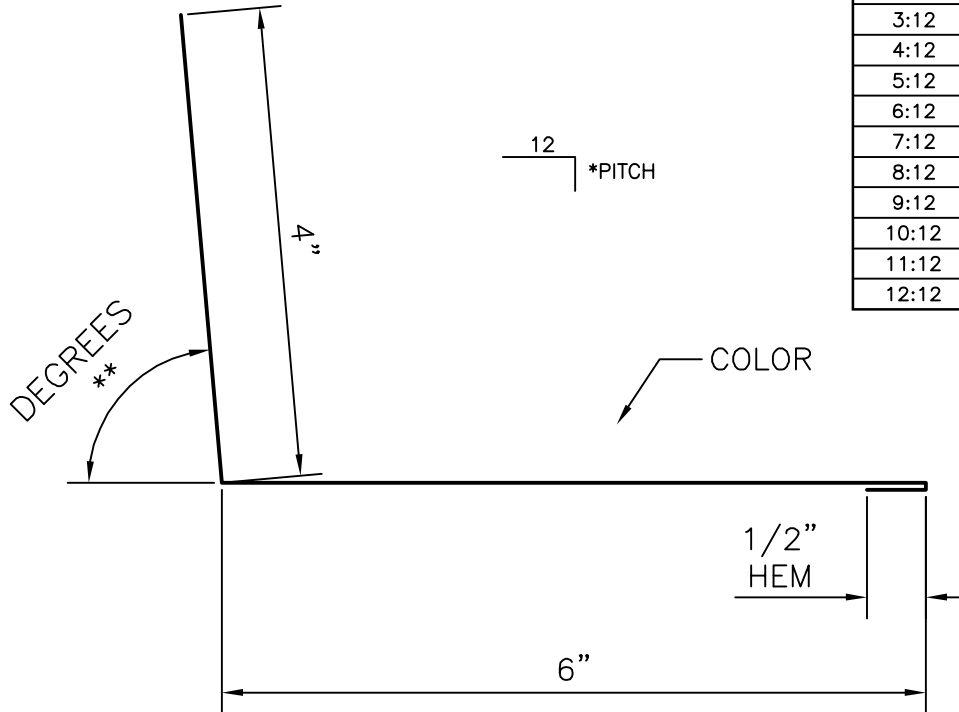
PANEL PROFILES	GAUGE
MAX-RIB	29
MESA	29
MATRIX	26
MINI-RIB	26 or 29

3-18-20 rev.
 6-03-14 rev.
 11-02-11 rev.
 7-05-05 rev.
 2-20-04

GIRTH: 4 1/8"
 BENDS: AS SPECIFIED

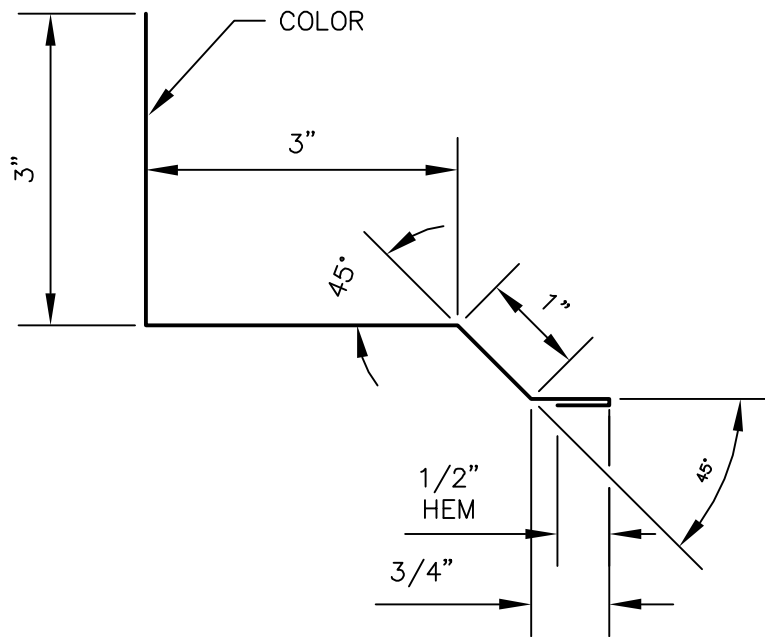


* PITCH	**DEGREES
1:12	85°
2:12	81°
3:12	76°
4:12	72°
5:12	67°
6:12	63°
7:12	60°
8:12	56°
9:12	53°
10:12	50°
11:12	48°
12:12	45°



HIGH-SIDE TIE-IN TRIM

PANEL PROFILES	GAUGE
MAX-RIB	29
MESA	29

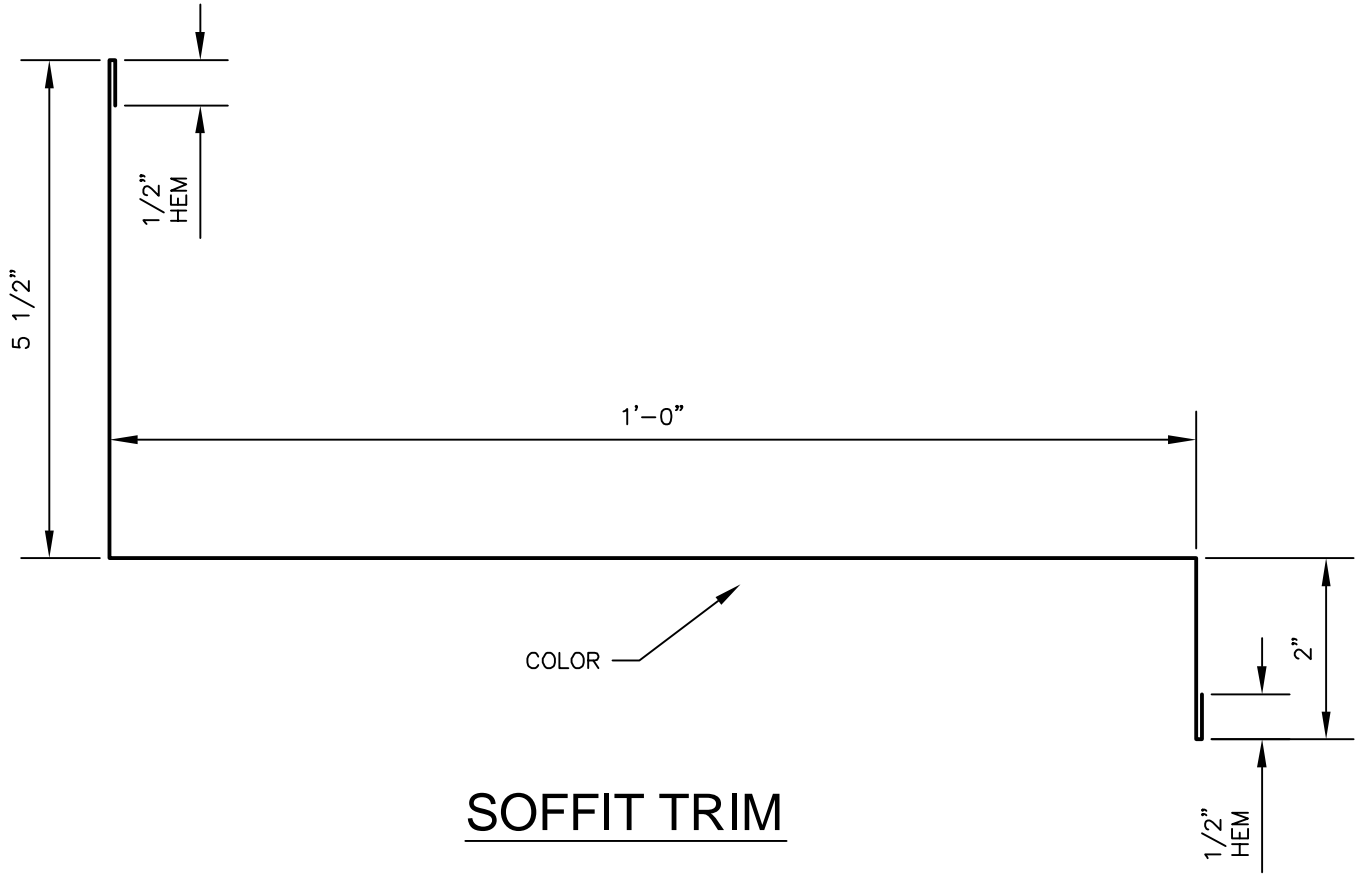


RAKE TIE-IN TRIM

PANEL PROFILES	GAUGE
MAX-RIB	29
MESA	29

7-08-13 rev.
6-20-11

GIRTH: 8 1/4"
BENDS: 90° UNLESS SPECIFIED

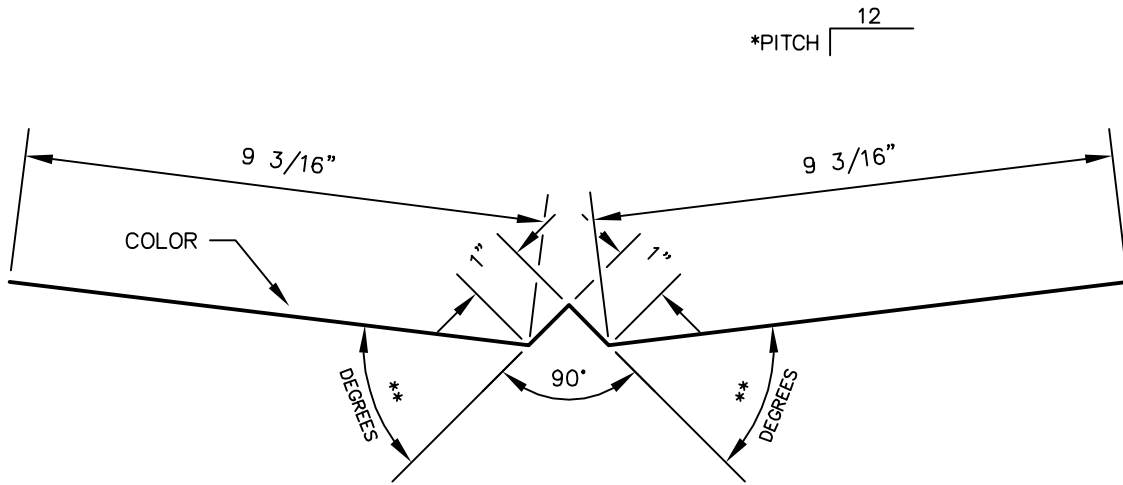


SOFFIT TRIM

PANEL PROFILES	GAUGE
MAX-RIB	29
MESA	29

7-08-13 rev.
 10-13-11 rev.
 11-20-06 rev.
 5-09-05 rev.
 9-09-96

GIRTH: 20 1/2"
 BENDS: 90°



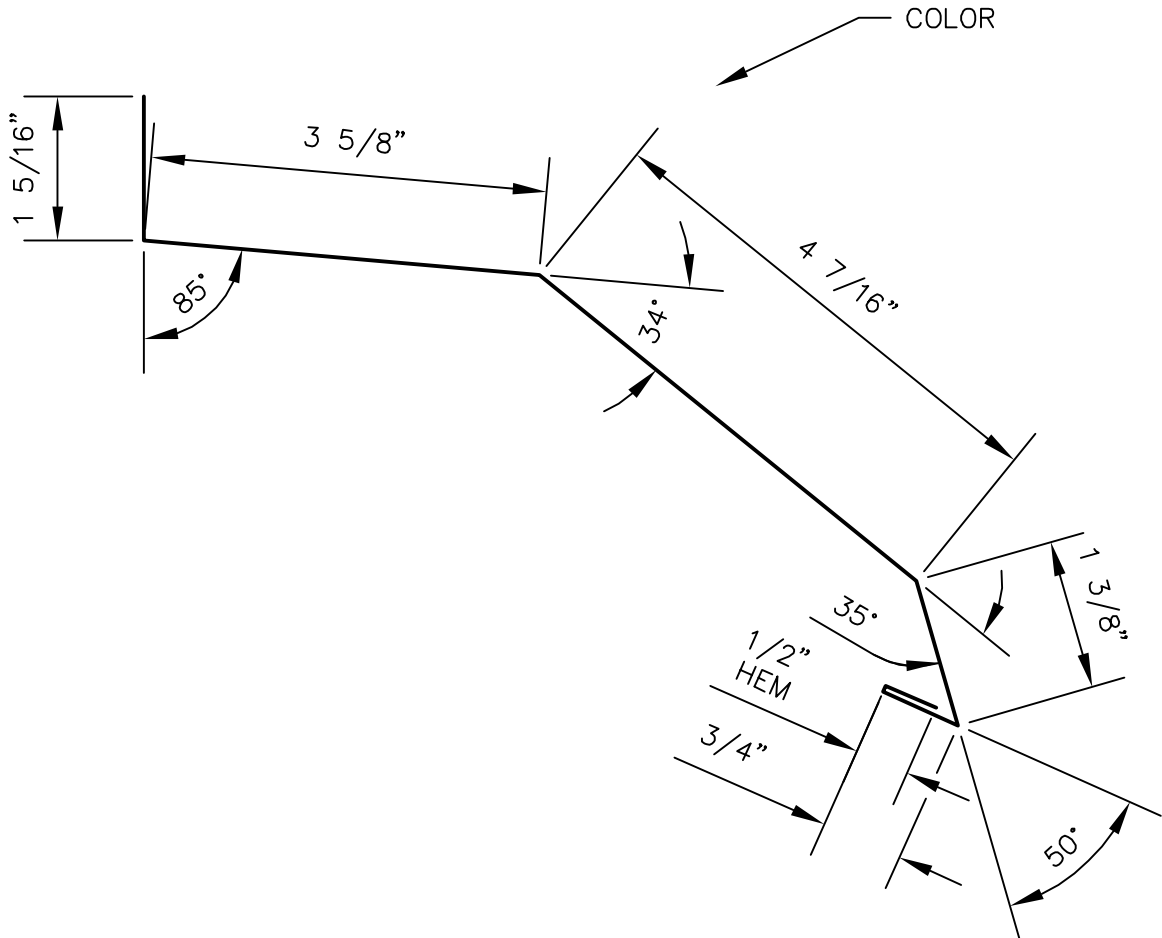
*PITCH	**DEGREES
1:12	48°
2:12	52°
3:12	55°
4:12	58°
5:12	61°
6:12	64°
7:12	68°
8:12	70°
9:12	73°
10:12	76°
11:12	79°
12:12	82°

VALLEY TRIM

PANEL PROFILES	GAUGE
MAX-RIB	29
MESA	29

8-21-13 rev.
 7-20-11 rev.
 9-09-96

GIRTH: 20 3/8"
 BENDS: 90° UNLESS SPECIFIED



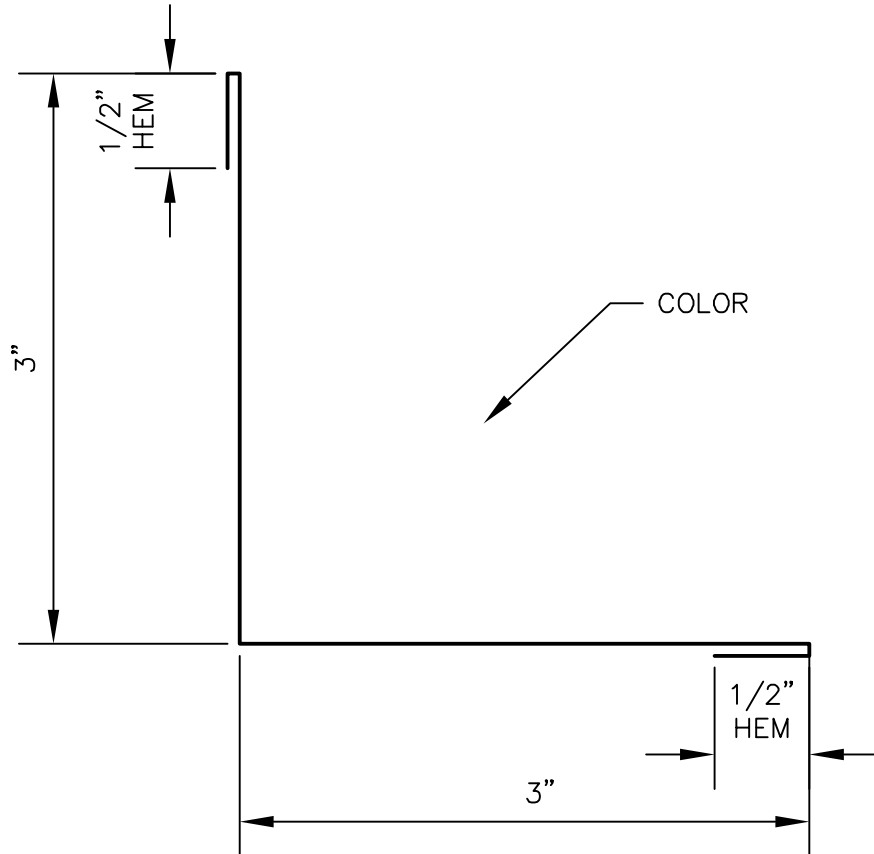
DOOR TRACK COVER

(FOR USE WITH CANNONBALL DOORS)

PANEL PROFILES	GAUGE
MAX-RIB	29
MESA	29

7-08-13 rev.
 11-02-11 rev.
 9-19-05 rev.
 9-09-96

GIRTH: 12"
 BENDS: 90° AND AS SPECIFIED

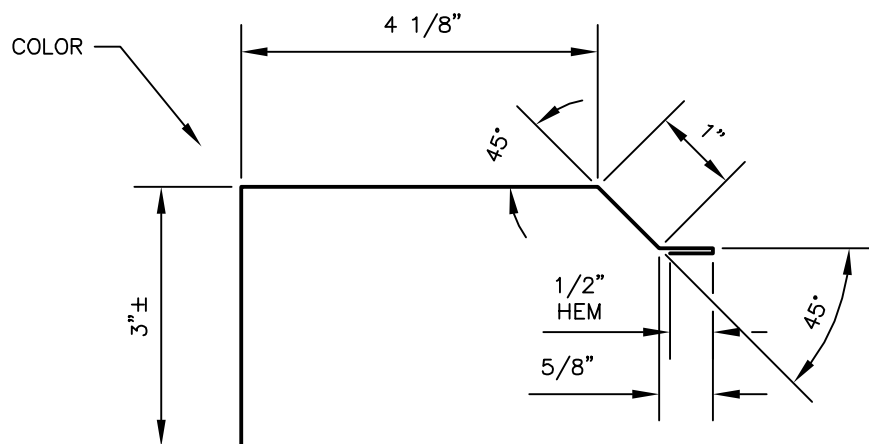


INSIDE ANGLE TRIM

PANEL PROFILES	GAUGE
MAX-RIB	29
MESA	29
MINI-RIB	26 or 29

3-18-20 rev.
 7-08-13 rev.
 10-13-11 rev.
 3-07-05

GIRTH: 7"
 BENDS: 90°



SHINGLE RAKE TRIM

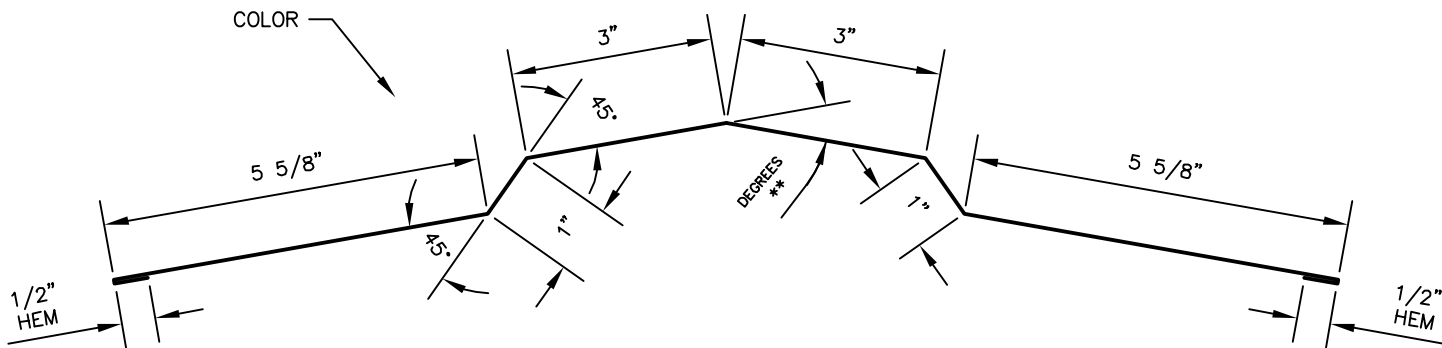
PANEL PROFILES	GAUGE
MAX-RIB	29
MESA	29

7-08-13 rev.
6-20-11

GIRTH: 9 1/4"
BENDS: 90° AND AS SPECIFIED



*PITCH $\frac{12}{12}$



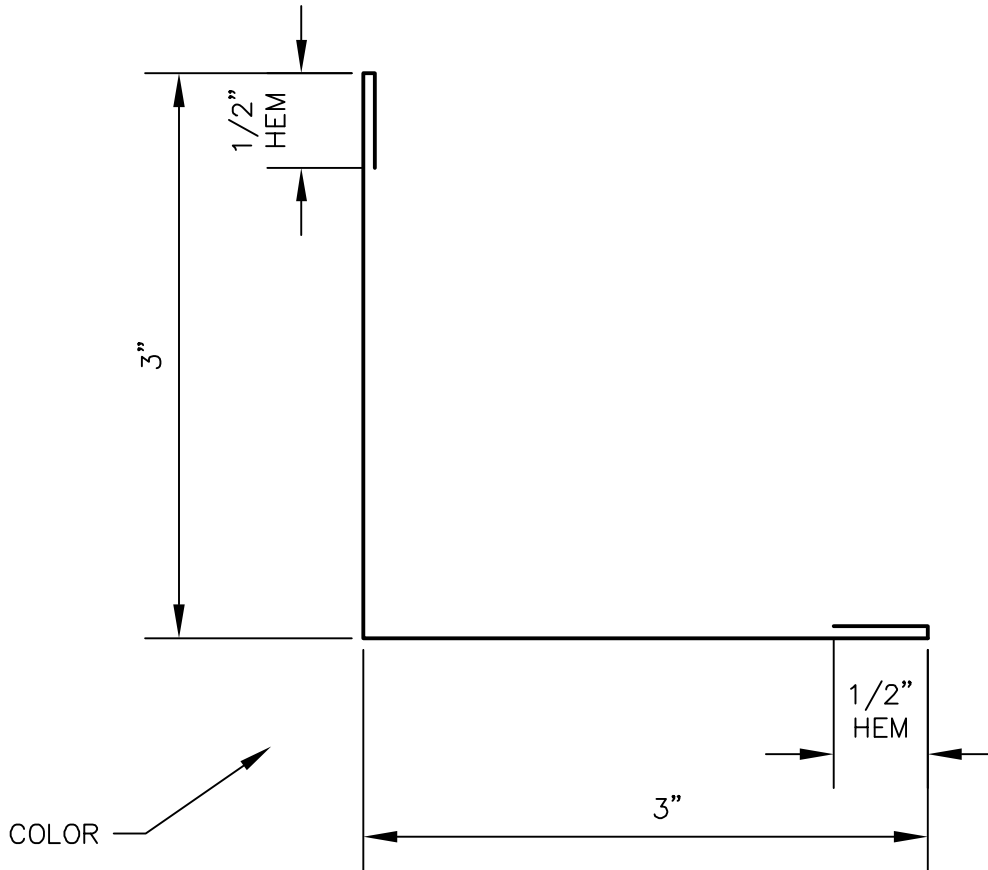
*PITCH	**DEGREES
1:12	10°
2:12	19°
3:12	28°
4:12	37°
5:12	45°
6:12	53°
7:12	61°
8:12	68°
9:12	74°
10:12	80°
11:12	85°
12:12	90°

RIDGE CAP

PANEL PROFILES	GAUGE
MAX-RIB	29
MESA	29

7-08-13 rev.
 7-20-11 rev.
 5-23-06 rev.
 3-11-05

GIRTH: 20 1/4"
 BENDS: 90° UNLESS SPECIFIED

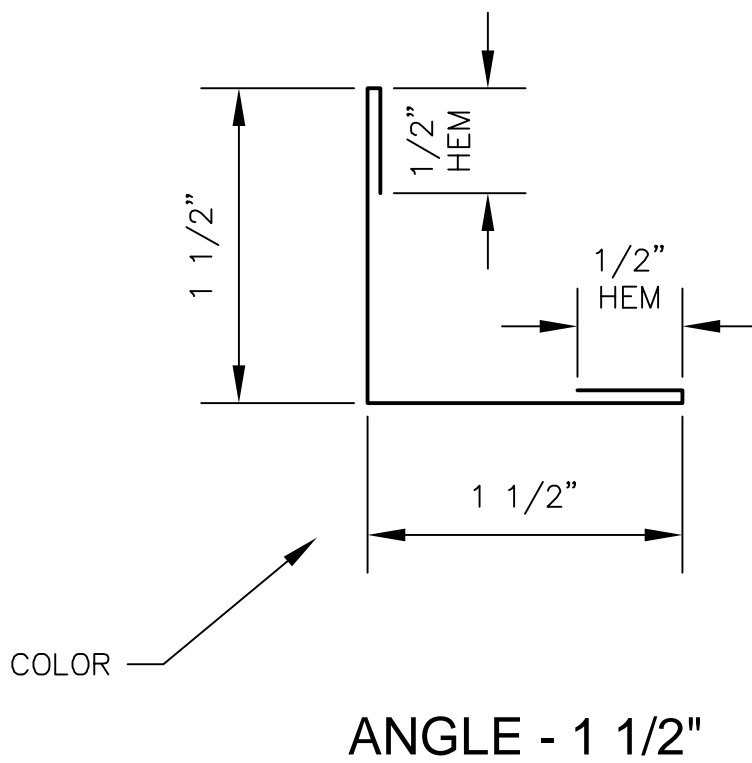


OUTSIDE ANGLE TRIM

PANEL PROFILES	GAUGE
MAX-RIB	29
MESA	29
MINI-RIB	26 or 29

3-18-20 rev.
 7-08-13 rev.
 4-04-13 rev.
 10-13-11 rev.
 3-07-05

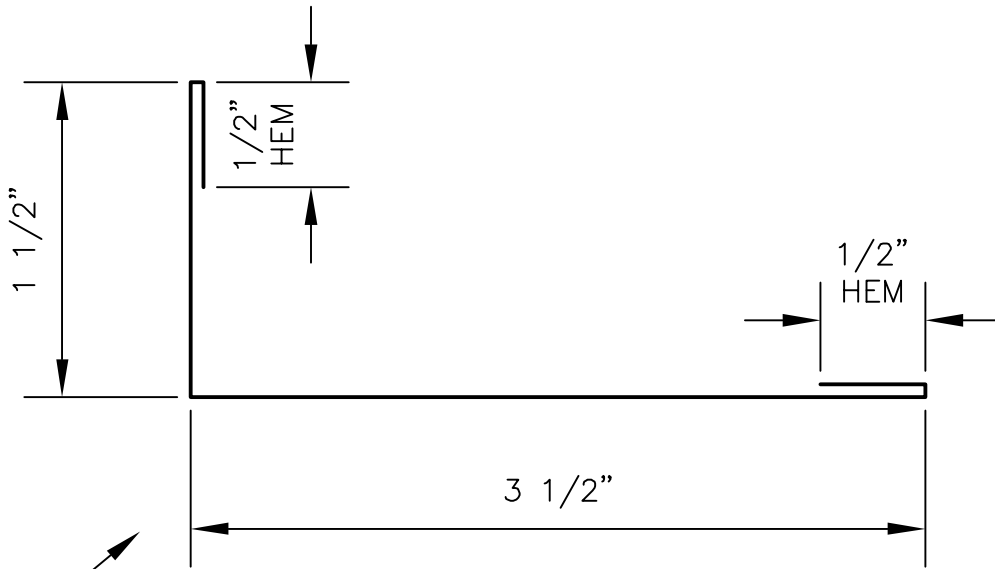
GIRTH: 7"
 BENDS: 90°



PANEL PROFILES	GAUGE
MAX-RIB	29
MESA	29
MINI-RIB	26 or 29

3-18-20 rev.
7-08-13 rev.
11-02-11 rev.
3-07-05

GIRTH: 4"
BENDS: 90°



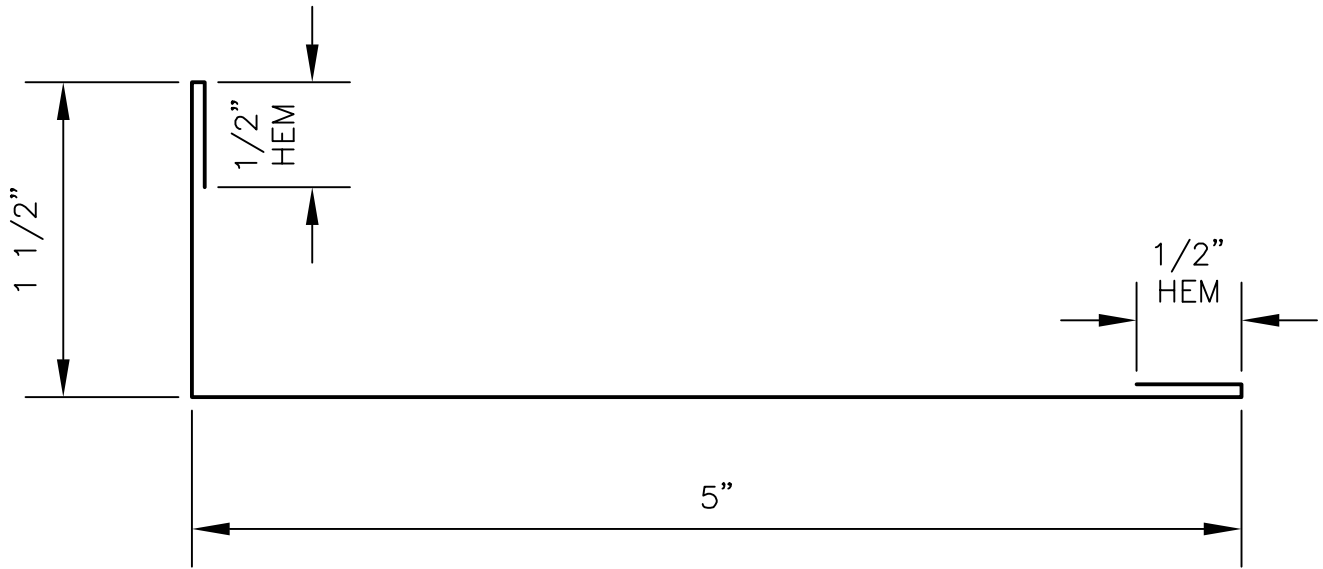
COLOR 

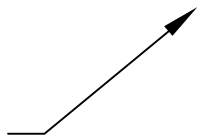
ANGLE - $3\ 1/2"$

PANEL PROFILES	GAUGE
MAX-RIB	29
MESA	29
MINI-RIB	26 or 29

3-18-20 rev.
5-08-13 rev.
11-02-11 rev.
3-07-05

GIRTH: 6"
BENDS: 90°



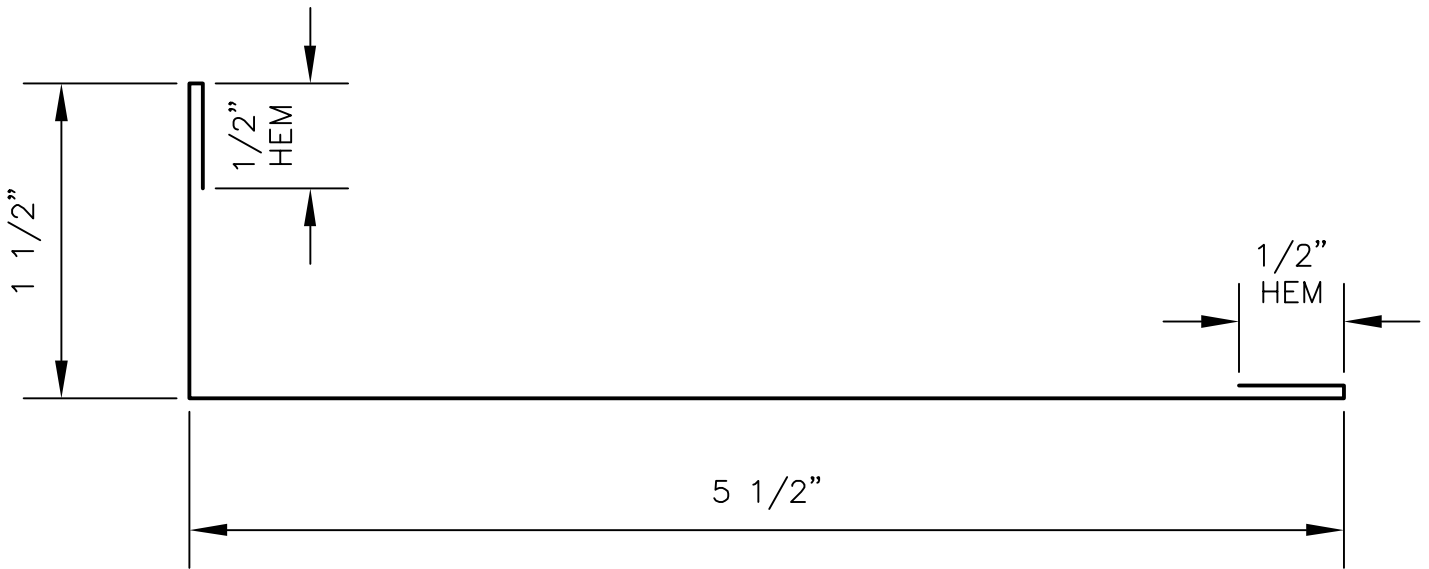
COLOR 

ANGLE - 5"

PANEL PROFILES	GAUGE
MAX-RIB	29
MESA	29
MINI-RIB	26 or 29

3-18-20 rev.
7-08-13 rev.
11-02-11 rev.
3-07-05

GIRTH: 7 1/2"
BENDS: 90°



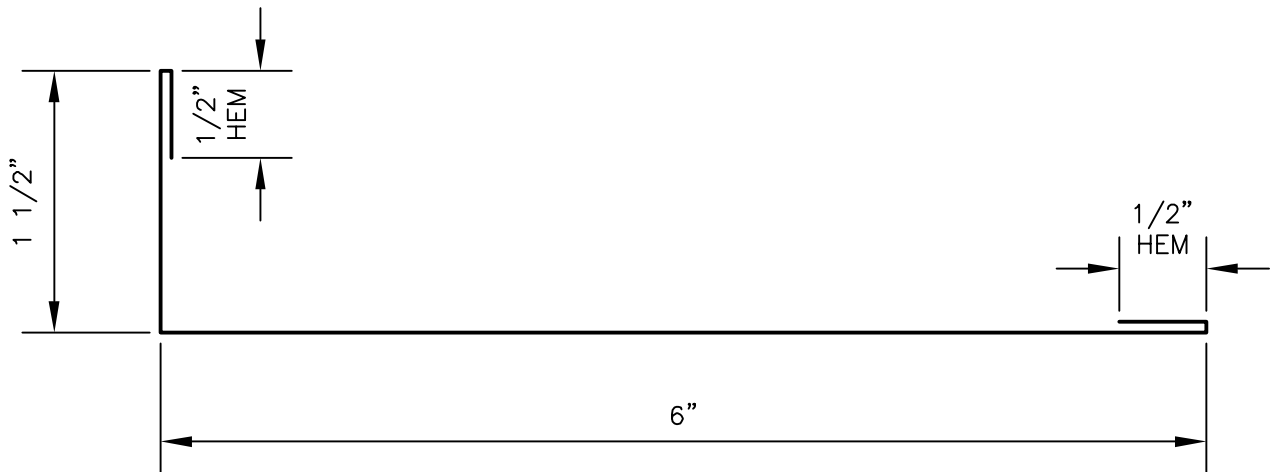
COLOR ↗

ANGLE - 5 1/2"

PANEL PROFILES	GAUGE
MAX-RIB	29
MESA	29
MINI-RIB	26 or 29

3-18-20 rev.
 7-08-13 rev.
 11-02-11 rev.
 3-07-05

GIRTH: 8"
 BENDS: 90°



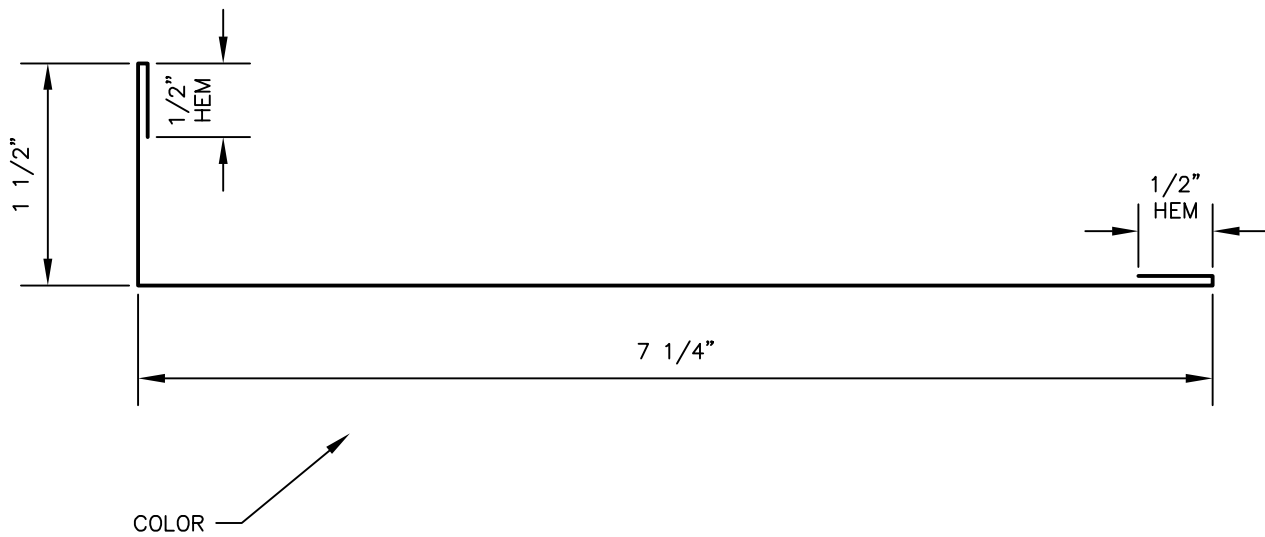
COLOR ↗

ANGLE - 6"

PANEL PROFILES	GAUGE
MAX-RIB	29
MESA	29
MINI-RIB	26 or 29

3-18-20 rev.
 7-08-13 rev.
 11-02-11 rev.
 3-07-05

GIRTH: 8 1/2"
 BENDS: 90°

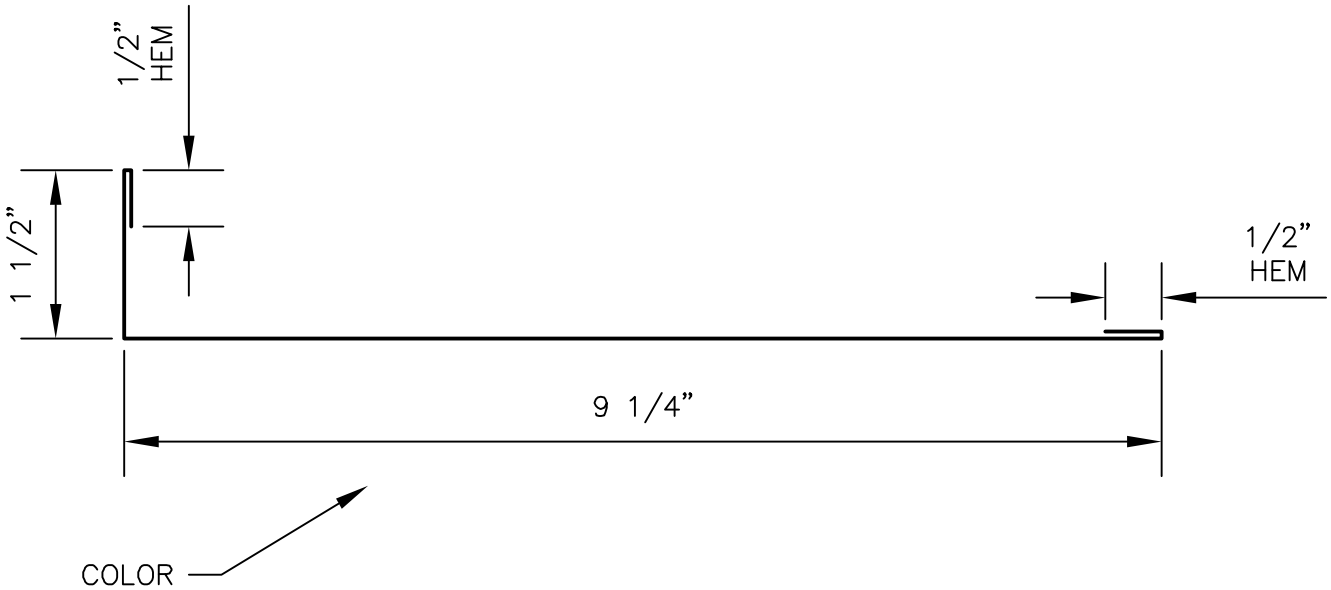


ANGLE - 7 1/4"

PANEL PROFILES	GAUGE
MAX-RIB	29
MESA	29
MINI-RIB	26 or 29

3-18-20 rev.
5-08-13 rev.
11-02-11 rev.
3-07-05

GIRTH: 9 3/4"
BENDS: 90°

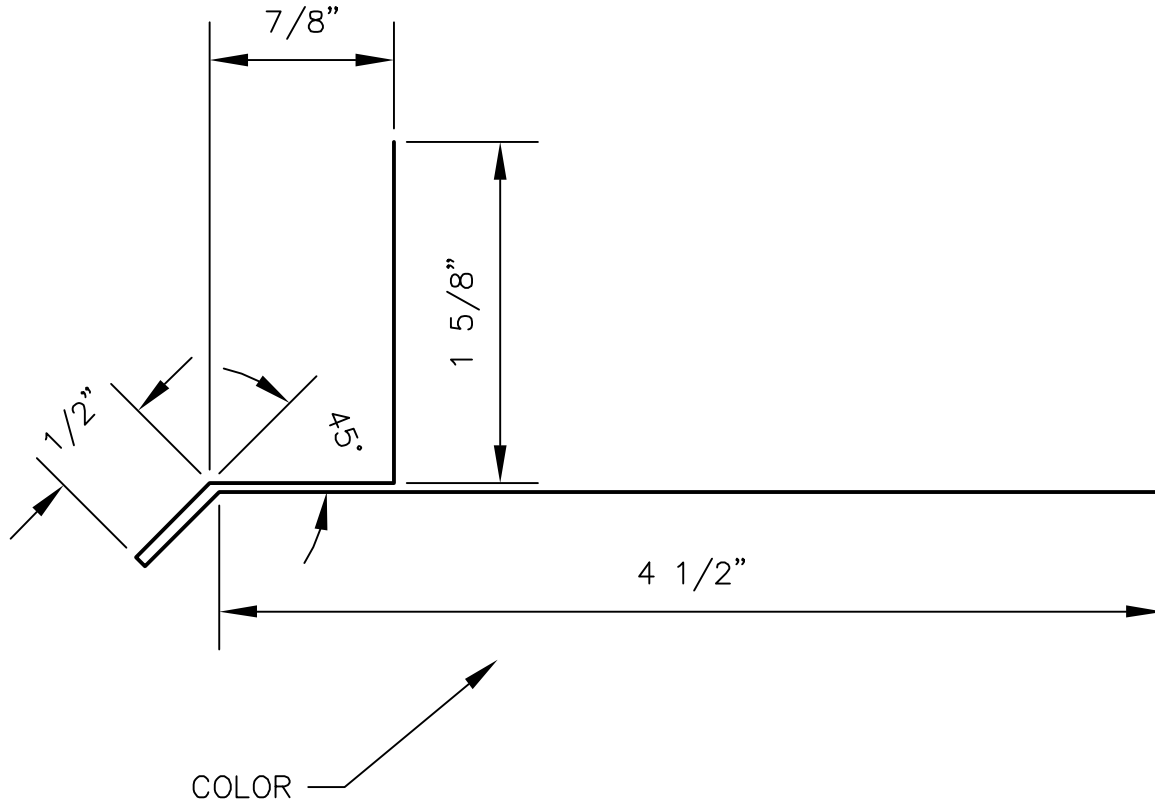


ANGLE - 9 1/4"

PANEL PROFILES	GAUGE
MAX-RIB	29
MESA	29
MINI-RIB	26 or 29

3-18-20 rev.
 7-08-13 rev.
 11-02-11 rev.
 3-07-05

GIRTH: 11 3/4"
 BENDS: 90°

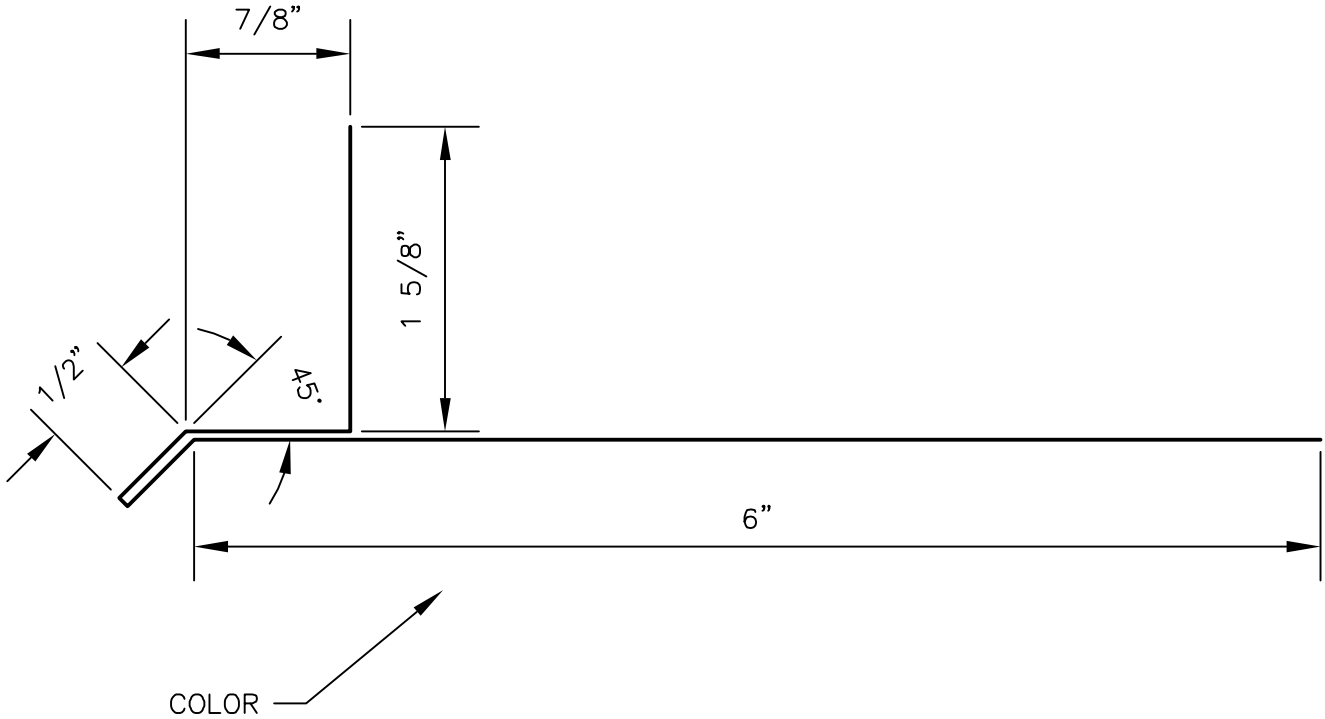


OVERHEAD DOOR DRIP - 4 1/2"

PANEL PROFILES	GAUGE
MAX-RIB	29
MESA	29
MINI-RIB	26 or 29

3-18-20 rev.
 7-08-13 rev.
 11-02-11 rev.
 3-07-05

GIRTH: 8"
 BENDS: 90°

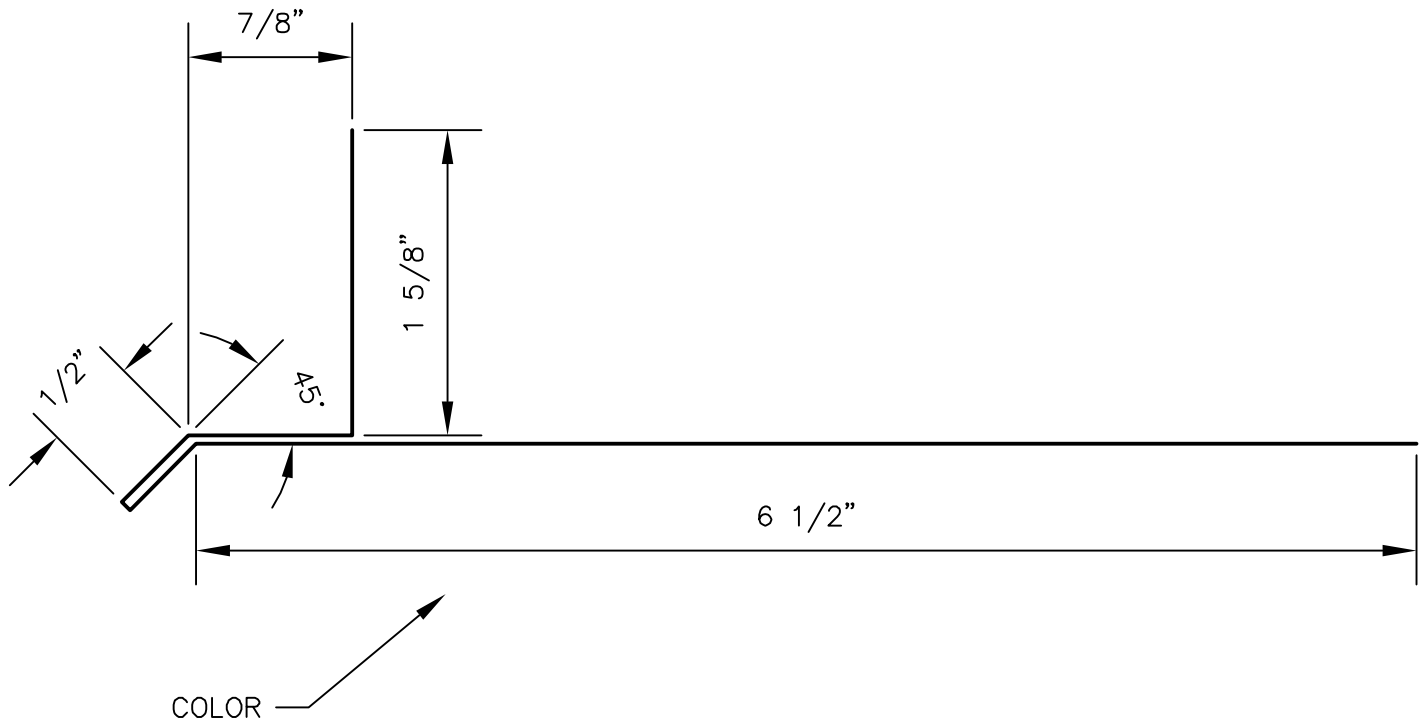


OVERHEAD DOOR DRIP - 6"

PANEL PROFILES	GAUGE
MAX-RIB	29
MESA	29
MINI-RIB	26 or 29

3-18-20 rev.
 7-08-13 rev.
 11-02-11 rev.
 3-07-05

GIRTH: 9 1/2"
 BENDS: 90°

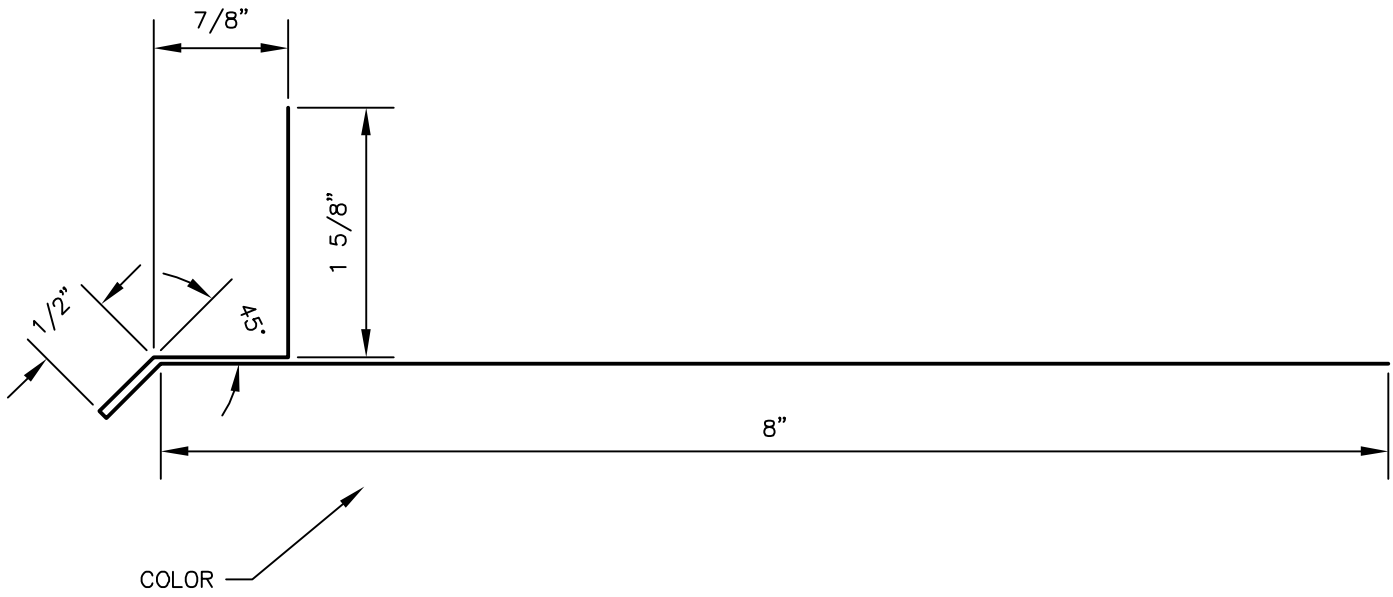


OVERHEAD DOOR DRIP - 6 1/2"

PANEL PROFILES	GAUGE
MAX-RIB	29
MESA	29
MINI-RIB	26 or 29

3-18-20 rev.
7-08-13 rev.
11-02-11 rev.
3-07-05

GIRTH: 10"
BENDS: 90°

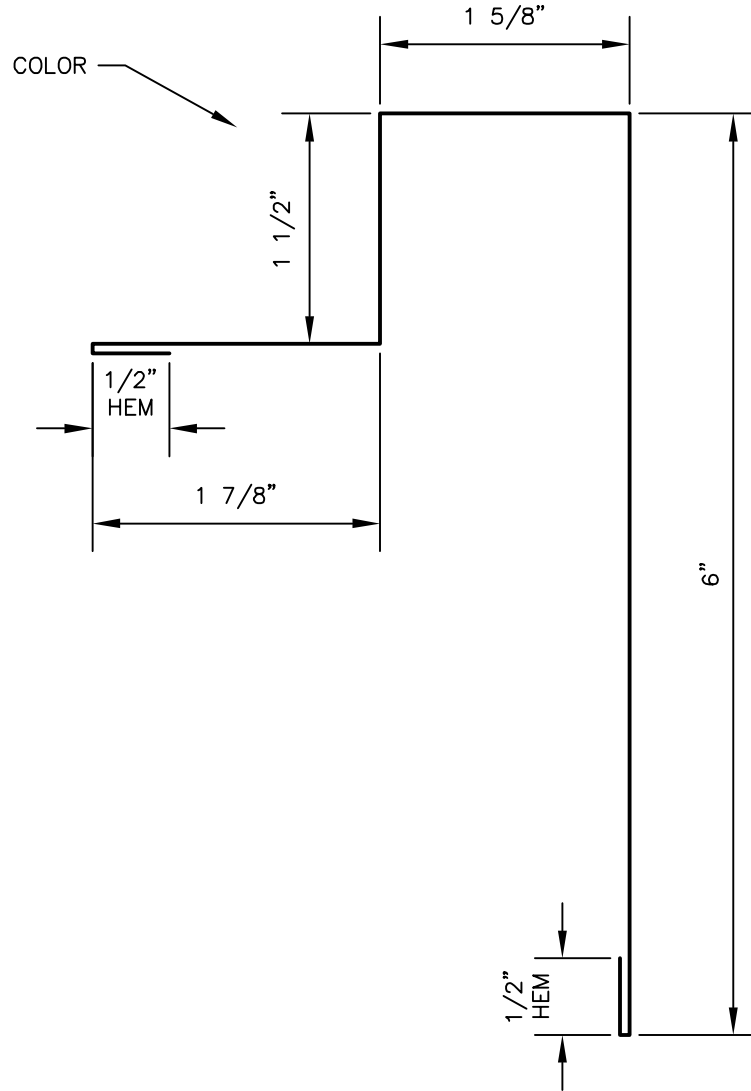


OVERHEAD DOOR DRIP - 8"

PANEL PROFILES	GAUGE
MAX-RIB	29
MESA	29
MINI-RIB	26 or 29

3-18-20 rev.
 7-08-13 rev.
 11-02-11 rev.
 3-07-05

GIRTH: 11 1/2"
 BENDS: 90°

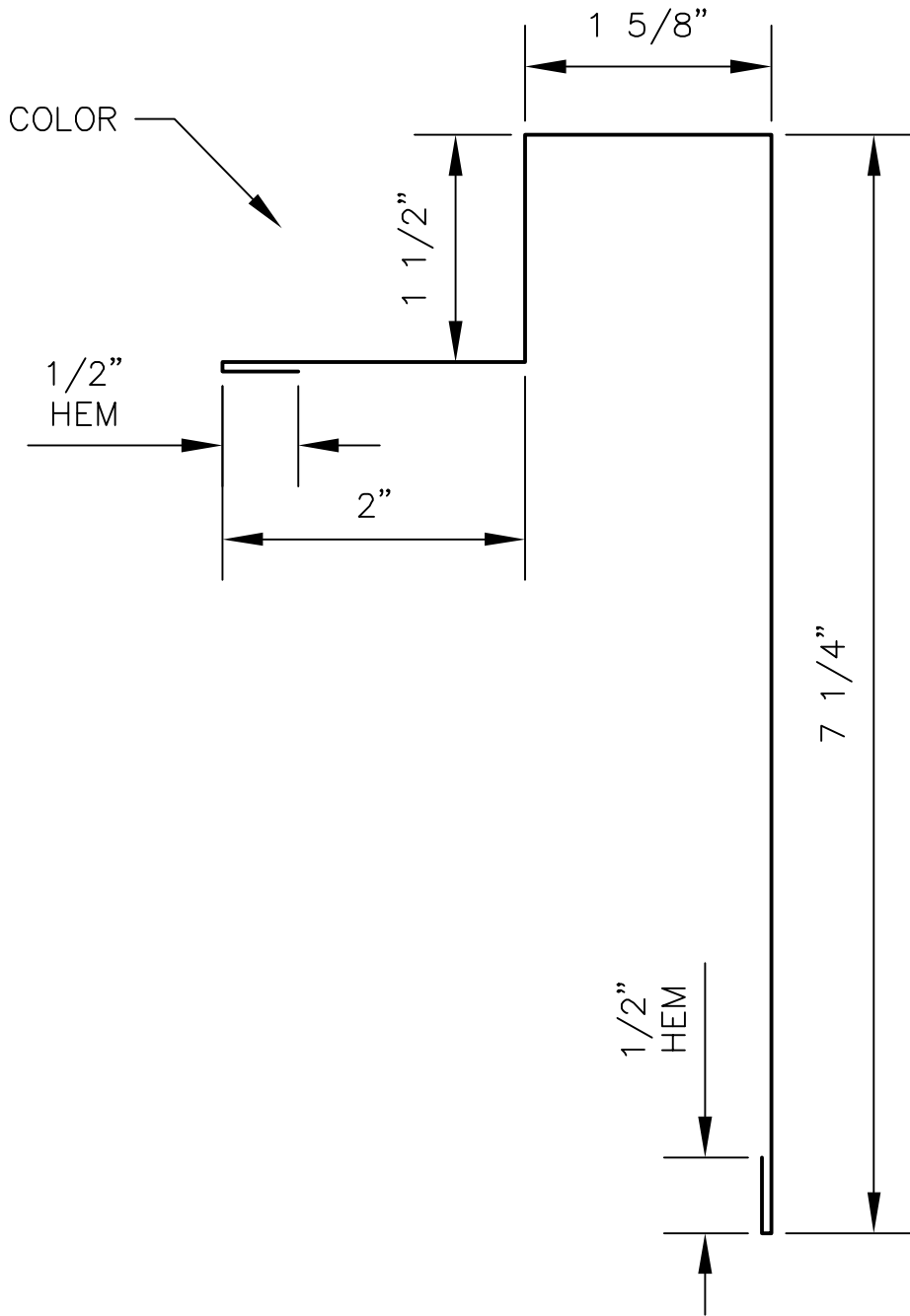


CORNER SLIDING DOOR JAMB

PANEL PROFILES	GAUGE
MAX-RIB	29
MESA	29

7-08-13 rev.
 11-02-11 rev.
 3-07-05

GIRTH: 12"
 BENDS: 90°

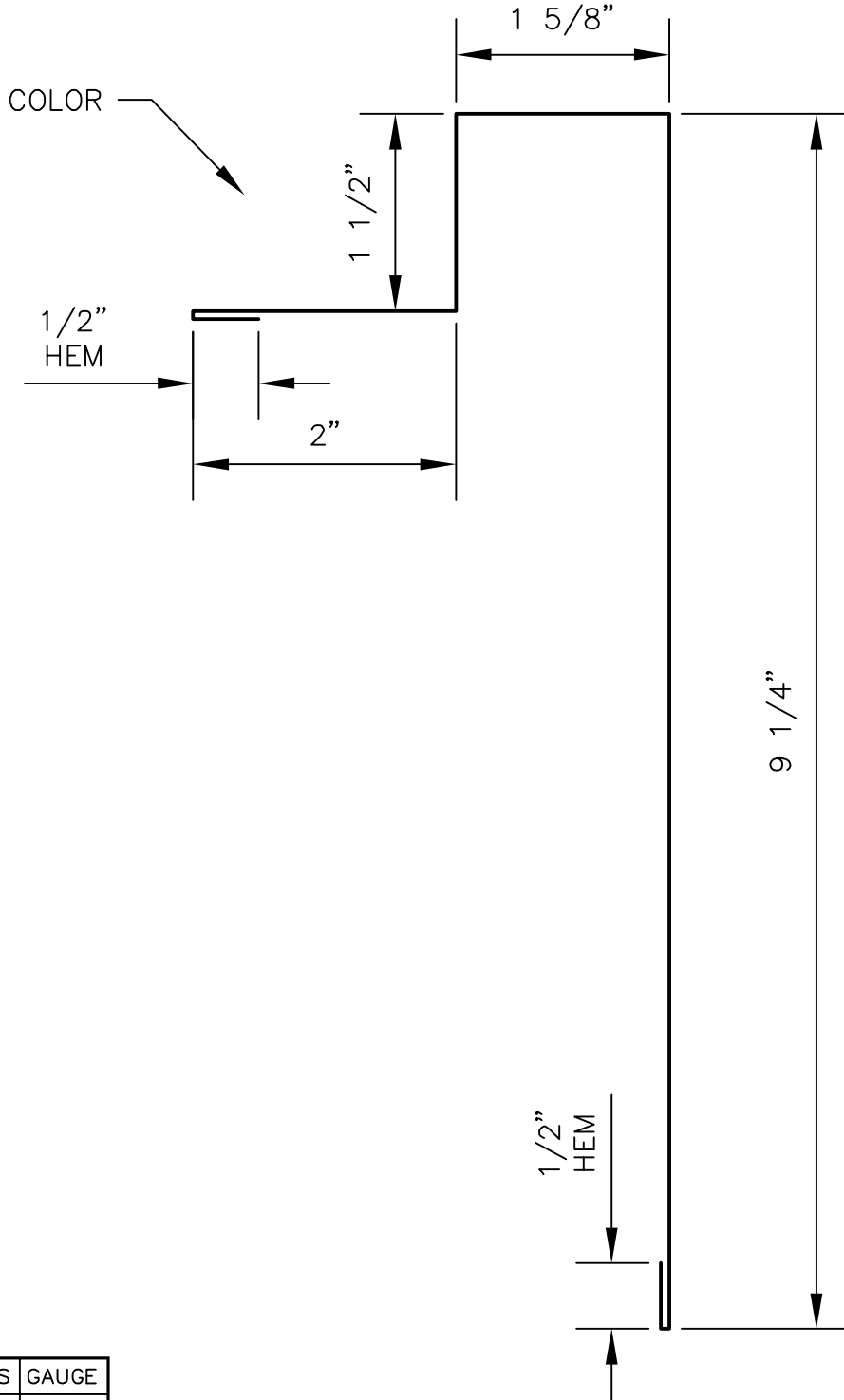


CORNER SLIDING DOOR JAMB - 7 1/4"

PANEL PROFILES	GAUGE
MAX-RIB	29
MESA	29

7-08-13 rev.
 11-02-11 rev.
 3-07-05

GIRTH: 13 3/8"
 BENDS: 90°

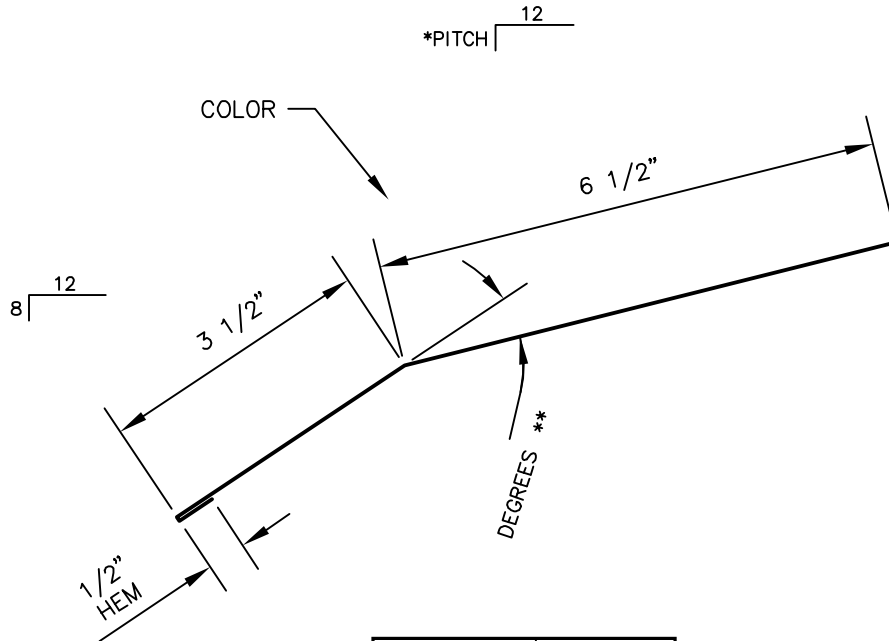


PANEL PROFILES	GAUGE
MAX-RIB	29
MESA	29

CORNER SLIDING DOOR JAMB - 9 1/4"

7-08-13 rev.
11-02-11 rev.
3-07-05

GIRTH: 15 3/8"
BENDS: 90°



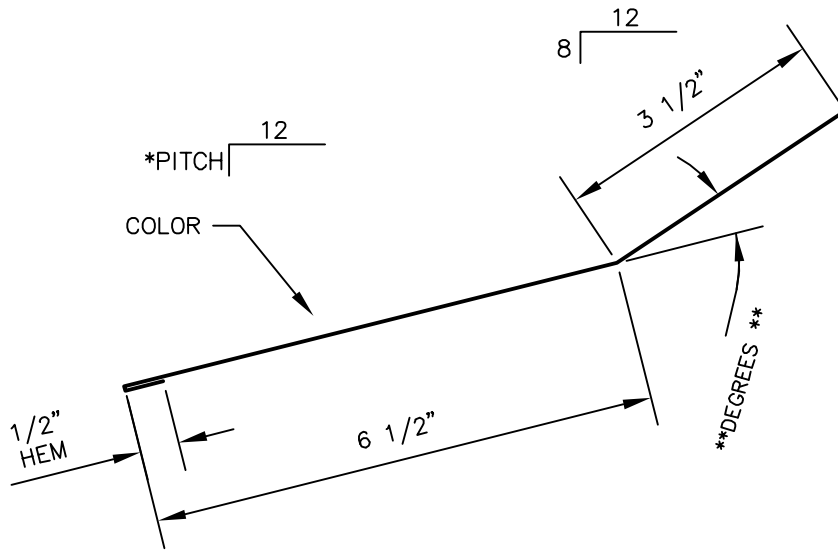
*PITCH	**DEGREES
2:12	20°
3 1/2:12	17°
4:12	15°

UPPER GAMBREL

PANEL PROFILES	GAUGE
MAX-RIB	29
MESA	29

7-08-13 rev.
 7-20-11 rev.
 10-7-10

GIRTH: 10 1/2"
 BENDS: 90° UNLESS SPECIFIED



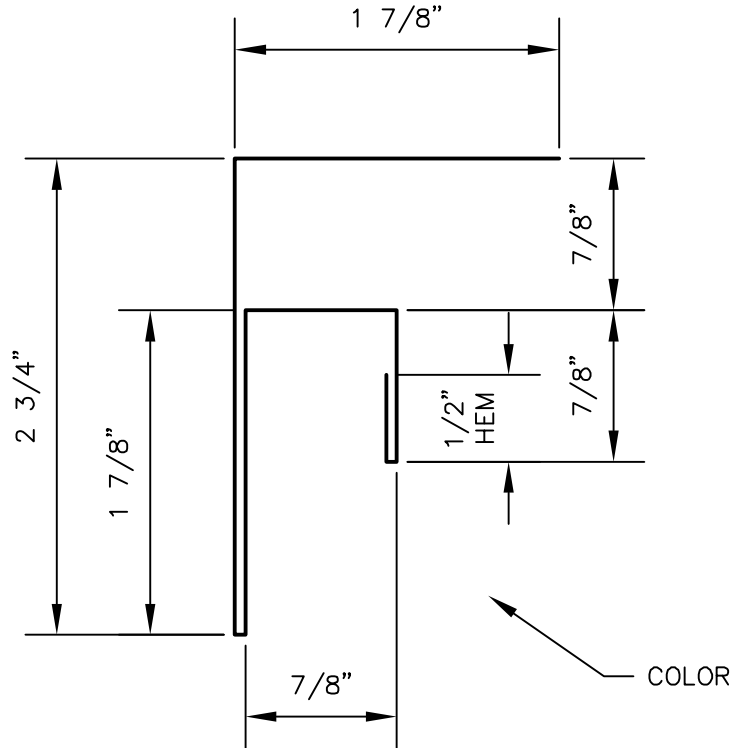
*PITCH	**DEGREES
3:12	20°
3 1/2:12	17°
4:12	15°

LOWER GAMBREL

PANEL PROFILES	GAUGE
MAX-RIB	29
MESA	29

7-08-13 rev.
 7-20-11 rev.
 10-07-10

GIRTH: 10 1/2"
 BENDS: 90° UNLESS SPECIFIED

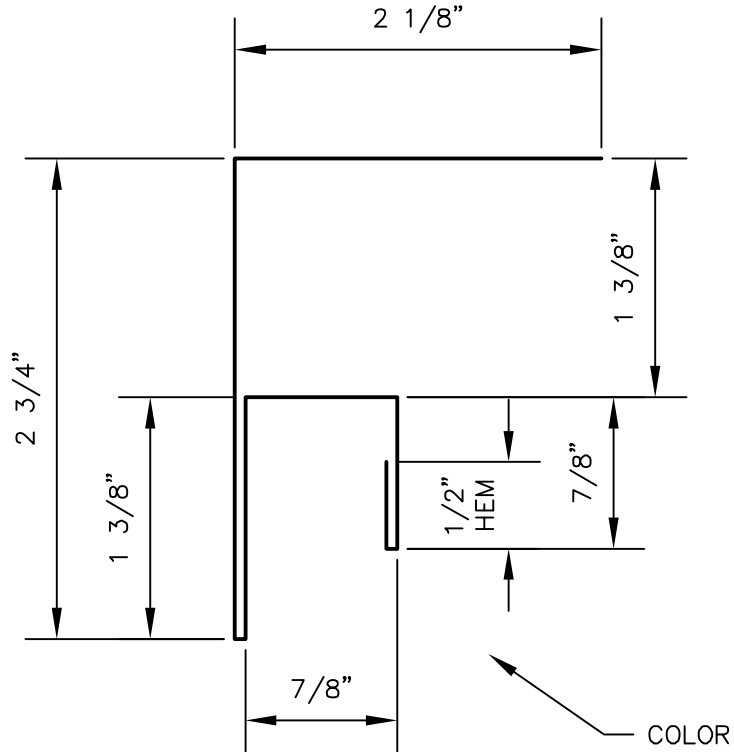


F AND J X 7/8"

PANEL PROFILES	GAUGE
MAX-RIB	29
MESA	29
MINI-RIB	26 or 29

3-18-20 rev.
 7-08-13 rev.
 10-13-11 rev.
 11-20-06 rev.
 3-07-05

GIRTH: 8 3/4"
 BENDS: 90° AND AS SPECIFIED

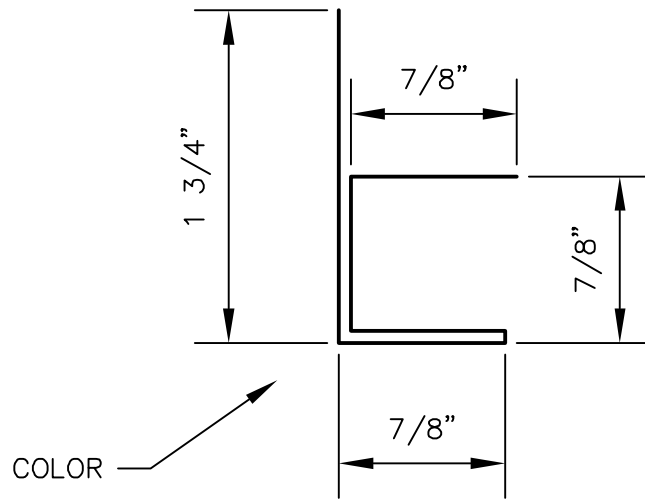


F AND J X $1 \frac{3}{8}$ "

PANEL PROFILES	GAUGE
MAX-RIB	29
MESA	29
MULTI-V	29
MINI-RIB	26 or 29

3-18-20 rev.
 7-08-13 rev.
 10-13-11 rev.
 11-20-06 rev.
 3-07-05

GIRTH: $8 \frac{1}{2}$ "
 BENDS: 90° UNLESS SPECIFIED

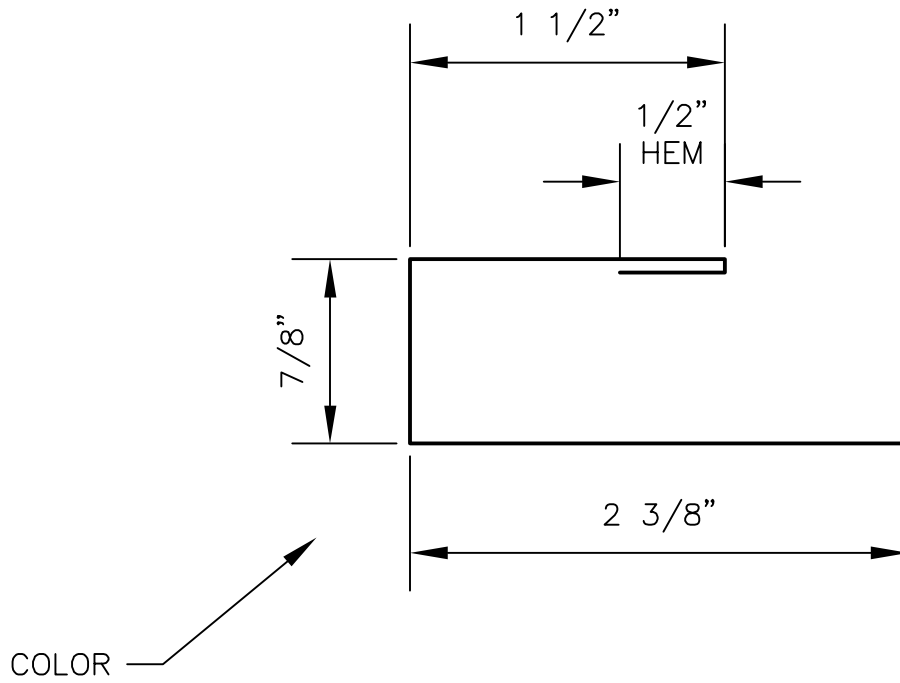


F X 7/8"

PANEL PROFILES	GAUGE
MAX-RIB	29
MESA	29
MINI-RIB	26 or 29

3-18-20 rev.
 7-08-13 rev.
 10-13-11 rev.
 11-20-06 rev.
 3-07-05

GIRTH: 5 1/4
 BENDS: 90° UNLESS SPECIFIED

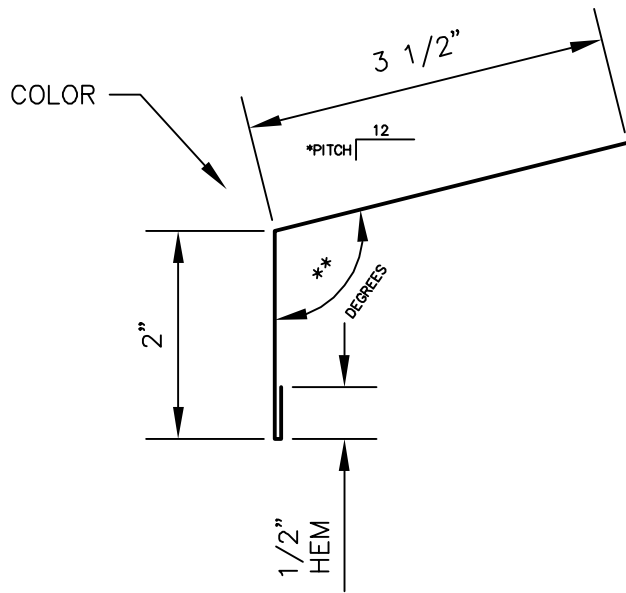


WIDE "J"

PANEL PROFILES	GAUGE
MAX-RIB	29
MESA	29
MINI-RIB	26 or 29

3-18-20 rev.
7-08-13 rev.
11-02-11 rev.
3-07-05

GIRTH: 5 1/4"
BENDS: 90°



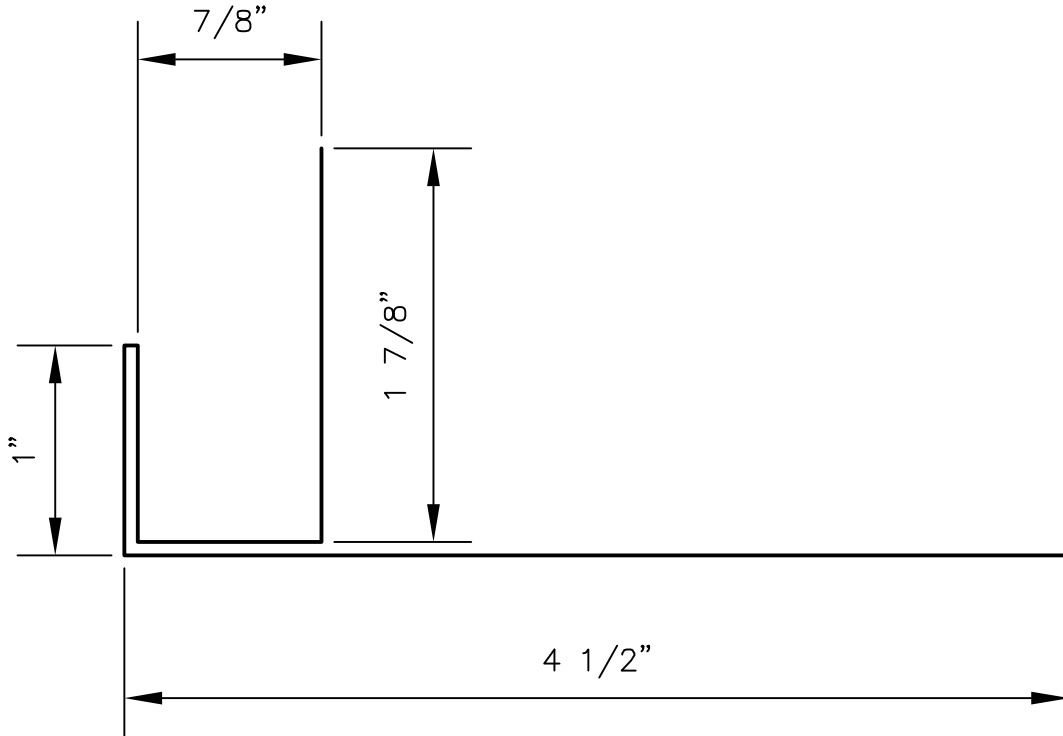
*PITCH	**DEGREES
1:12	95°
2:12	99°
3:12	104°
4:12	108°
5:12	113°
6:12	117°
7:12	120°
8:12	124°
9:12	127°
10:12	130°
11:12	133°
12:12	135°

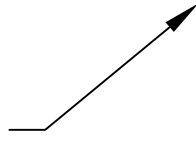
GUTTER APRON

PANEL PROFILES	GAUGE
MAX-RIB	29
MESA	29

2-14-14 rev.
 5-08-13 rev.
 6-20-11

GIRTH: 6"
 BENDS: 90° UNLESS SPECIFIED



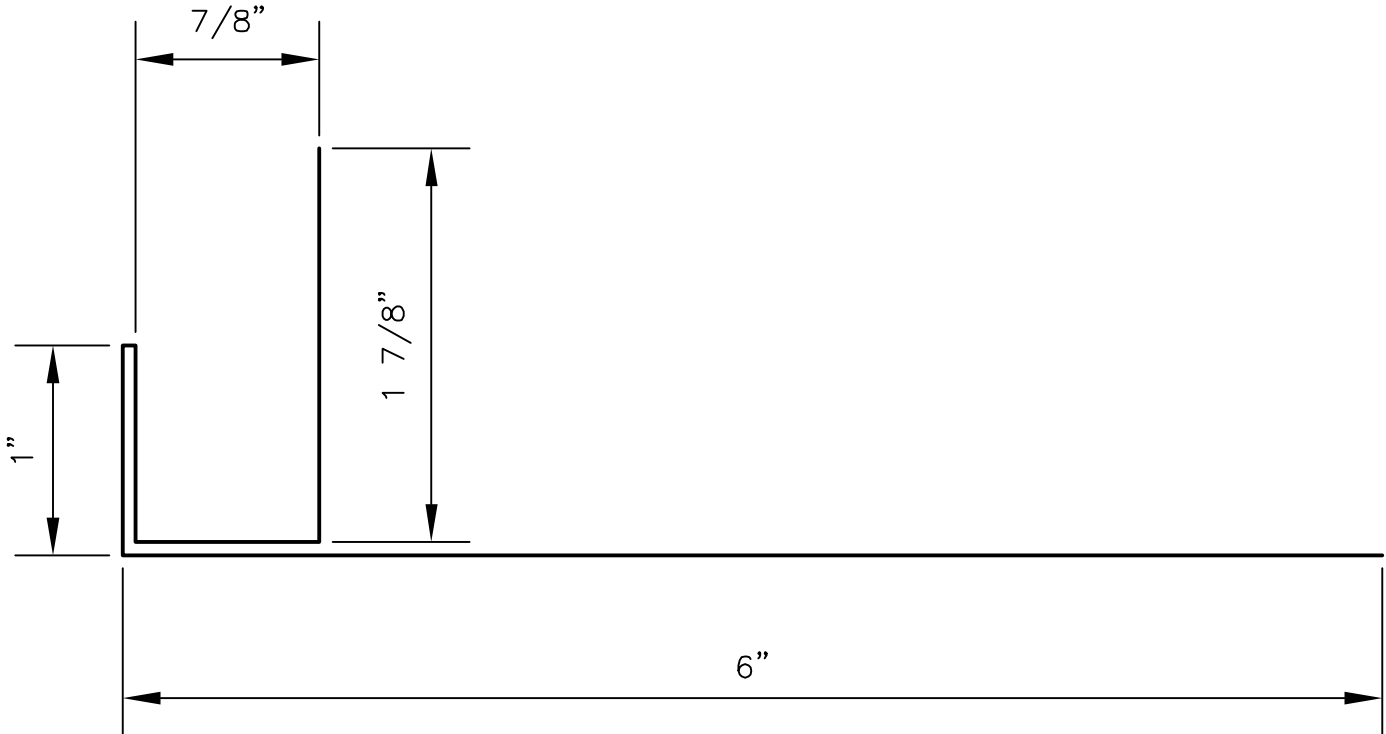
COLOR 

OVERHEAD DOOR TRIM - 4 1/2"

PANEL PROFILES	GAUGE
MAX-RIB	29
MESA	29
MINI-RIB	26 or 29

3-18-20 rev.
 7-08-13 rev.
 11-02-11 rev.
 3-21-05 rev.
 3-07-05

GIRTH: 9 1/4"
 BENDS: 90°



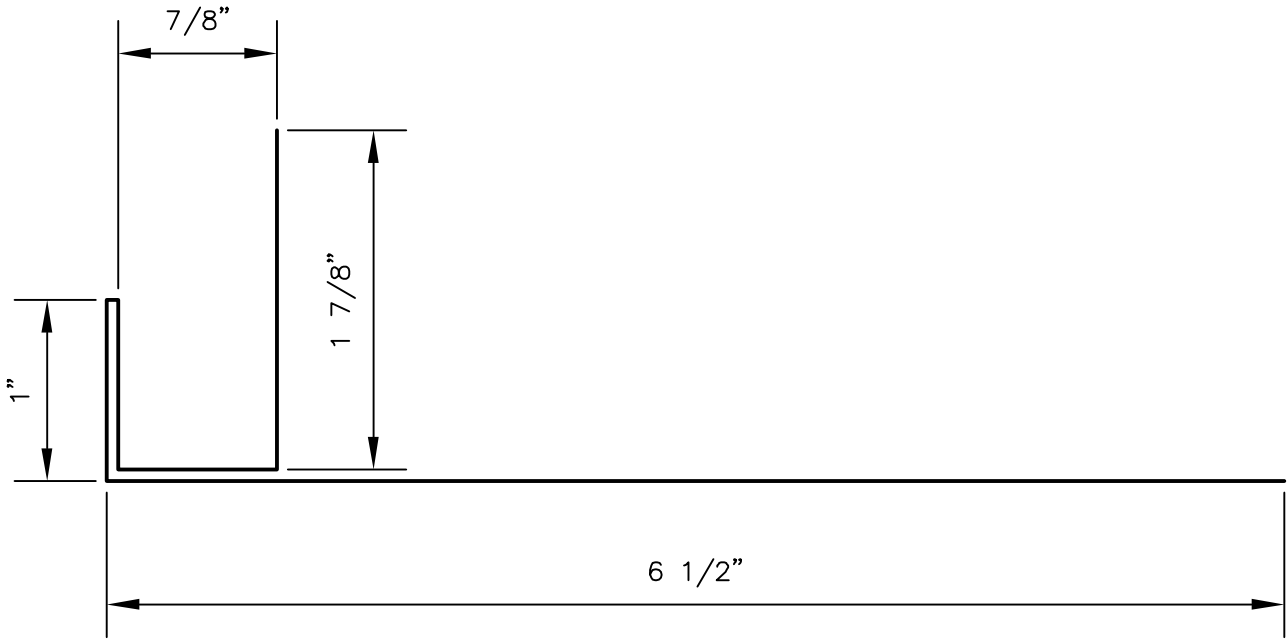
COLOR 

OVERHEAD DOOR TRIM - 6"

PANEL PROFILES	GAUGE
MAX-RIB	29
MESA	29
MINI-RIB	26 or 29

3-18-20 rev.
 7-08-13 rev.
 11-02-11 rev.
 3-21-05 rev.
 3-07-05

GIRTH: 10 3/4"
 BENDS: 90°



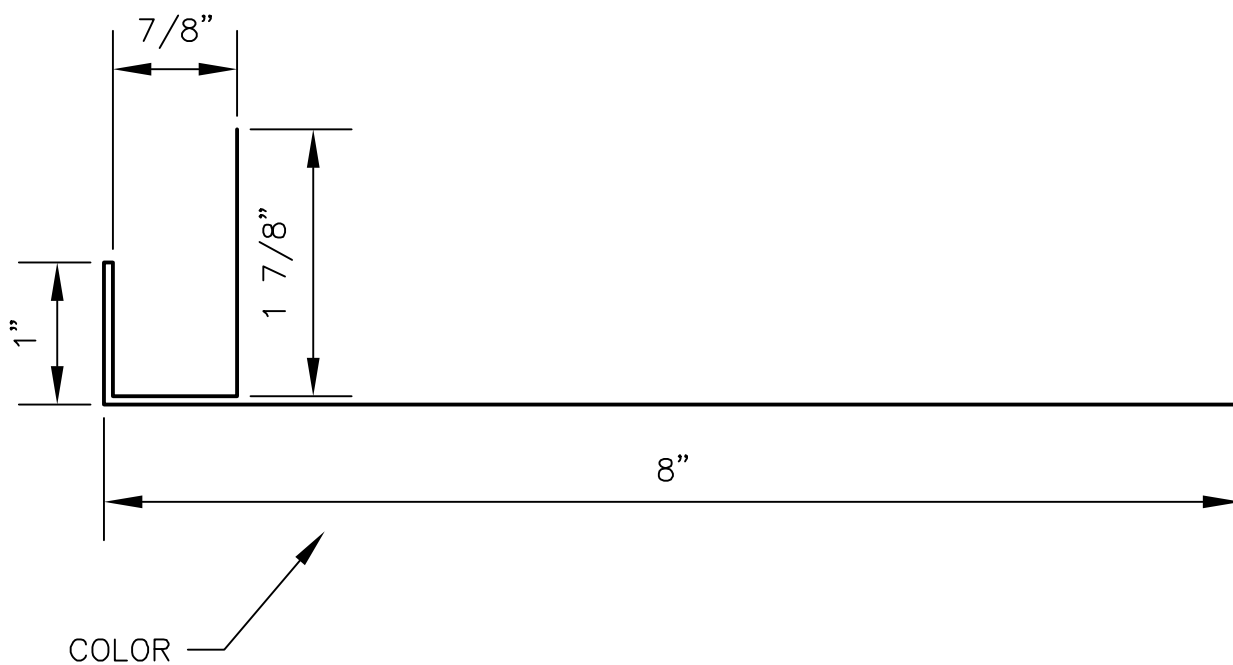
COLOR

OVERHEAD DOOR TRIM - 6 1/2"

PANEL PROFILES	GAUGE
MAX-RIB	29
MESA	29
MINI-RIB	26 or 29

3-18-20 rev.
 7-08-13 rev.
 11-02-11 rev.
 3-21-05 rev.
 3-07-05

GIRTH: 11 1/4"
 BENDS: 90°

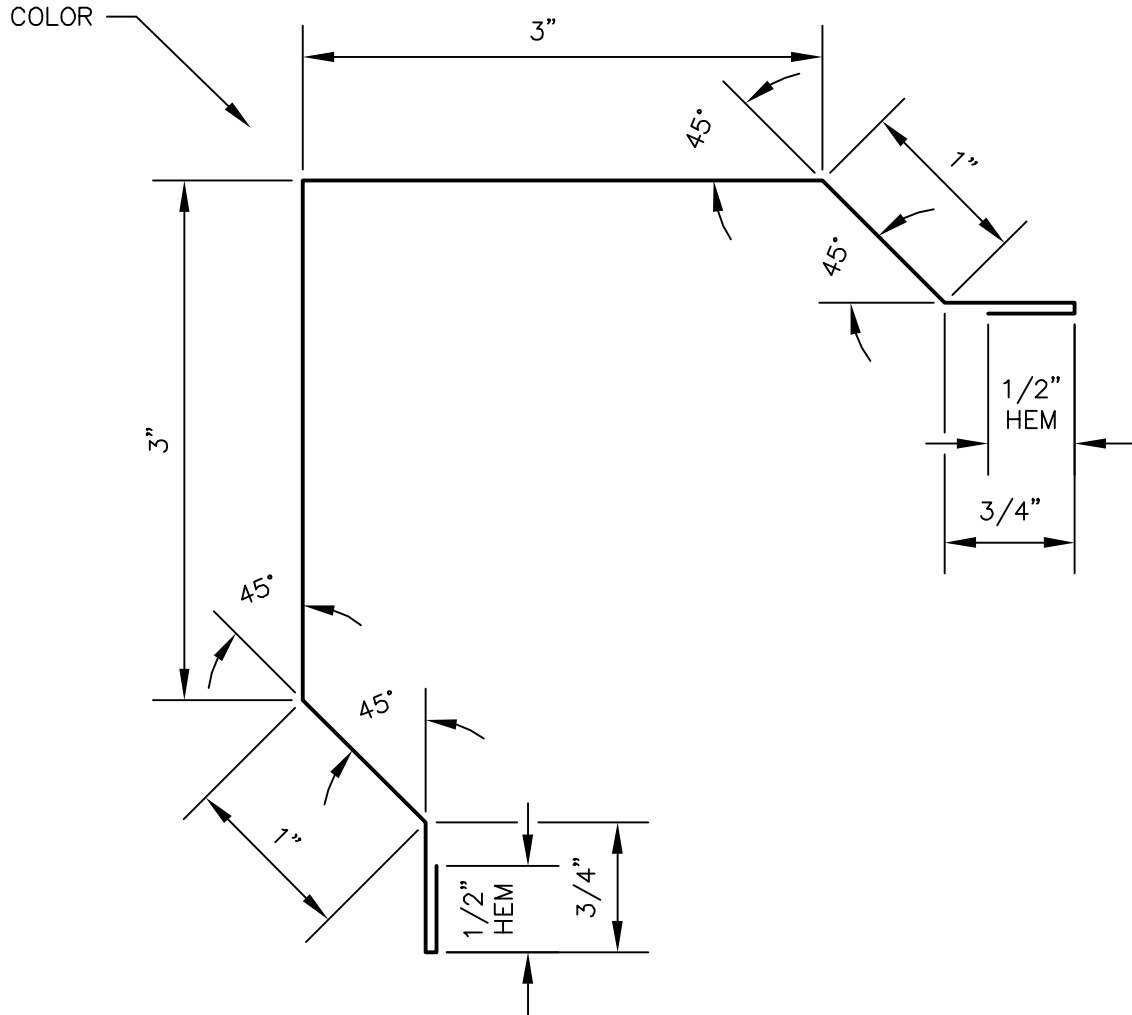


OVERHEAD DOOR TRIM - 8"

PANEL PROFILES	GAUGE
MAX-RIB	29
MESA	29
MINI-RIB	26 or 29

3-18-20 rev.
7-08-13 rev.
11-02-11 rev.
3-21-05 rev.
3-08-05

GIRTH: 12 3/4"
BENDS: 90°

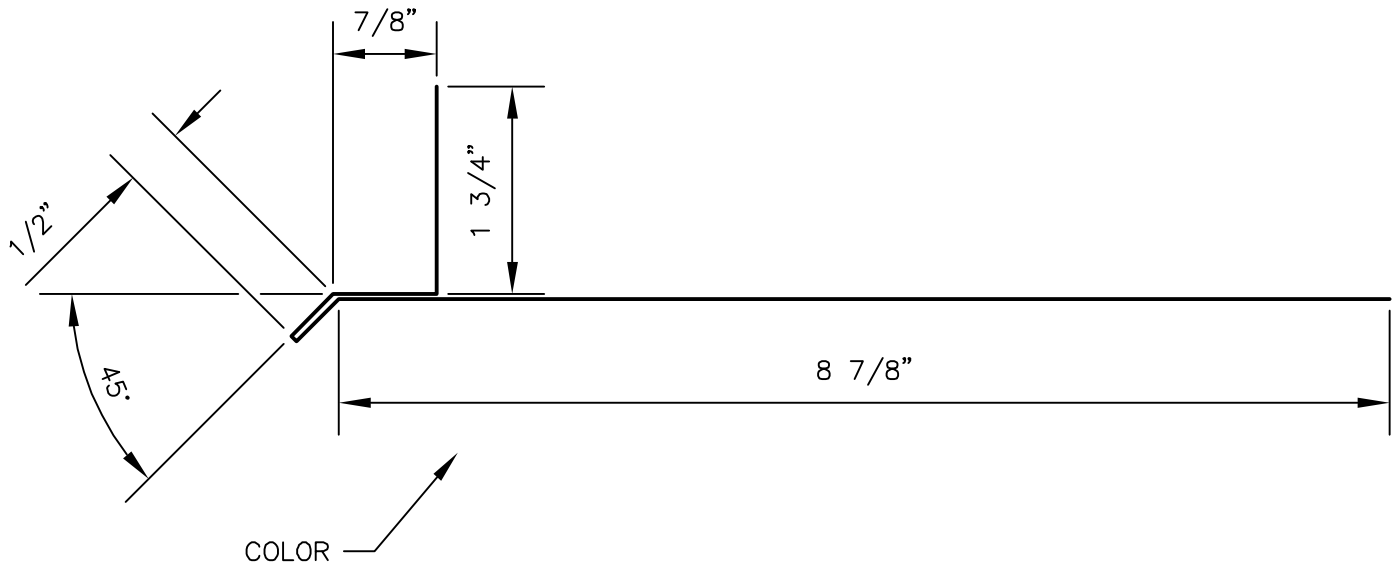


MINI OUTSIDE CORNER TRIM

PANEL PROFILES	GAUGE
MAX-RIB	29
MESA	29

7-08-13 rev.
 10-13-11 rev.
 11-20-06 rev.
 5-23-06 rev.
 3-08-05

GIRTH: 10 1/2"
 BENDS: 90° AND AS SPECIFIED

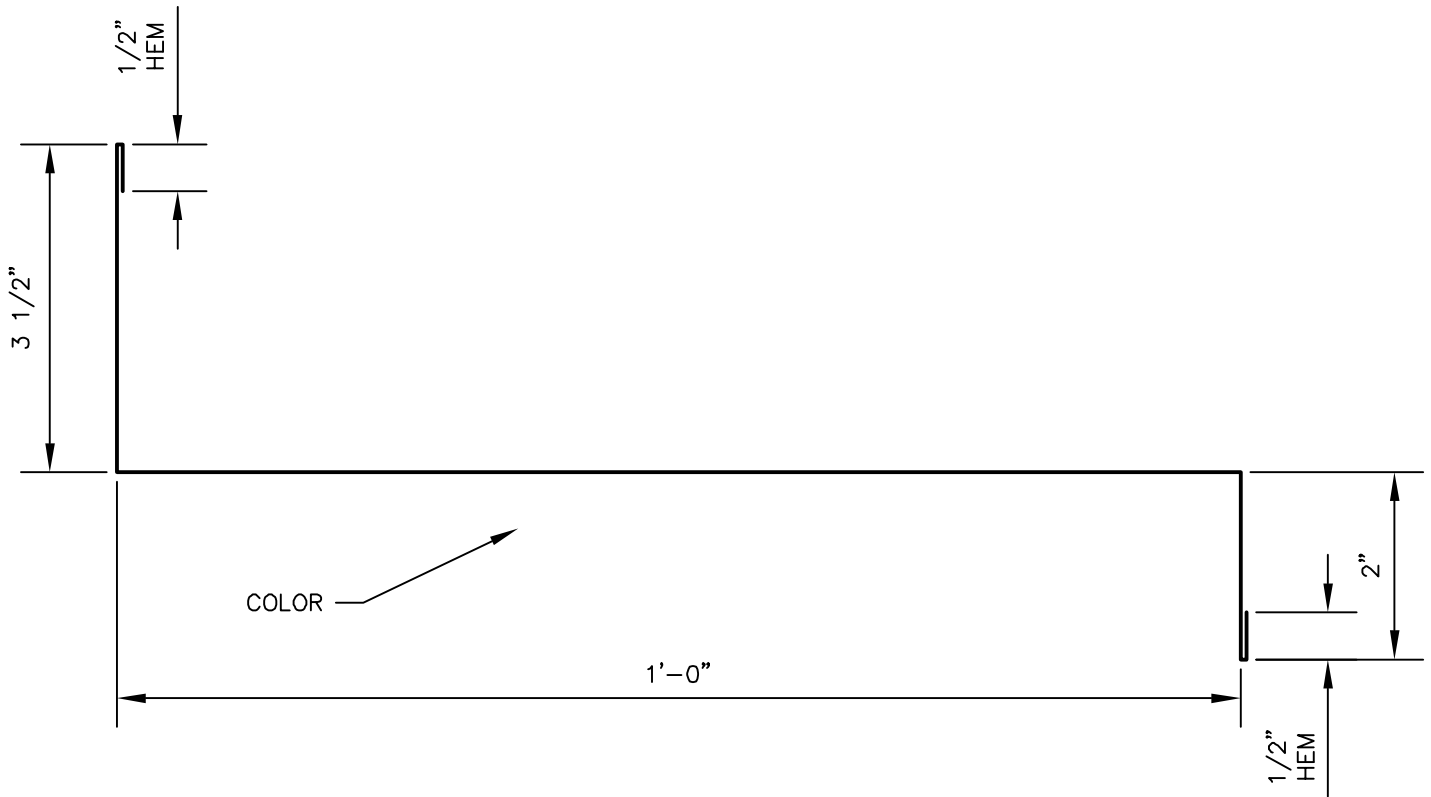


OVERHEAD DOOR DRIP

PANEL PROFILES	GAUGE
MAX-RIB	29
MESA	29
MINI-RIB	26 or 29

3-18-20 rev.
 7-08-13 rev.
 11-02-11 rev.
 3-21-05 rev.
 3-07-05

GIRTH: 12 1/2"
 BENDS: 90°



SOFFIT TRIM - 3 1/2"

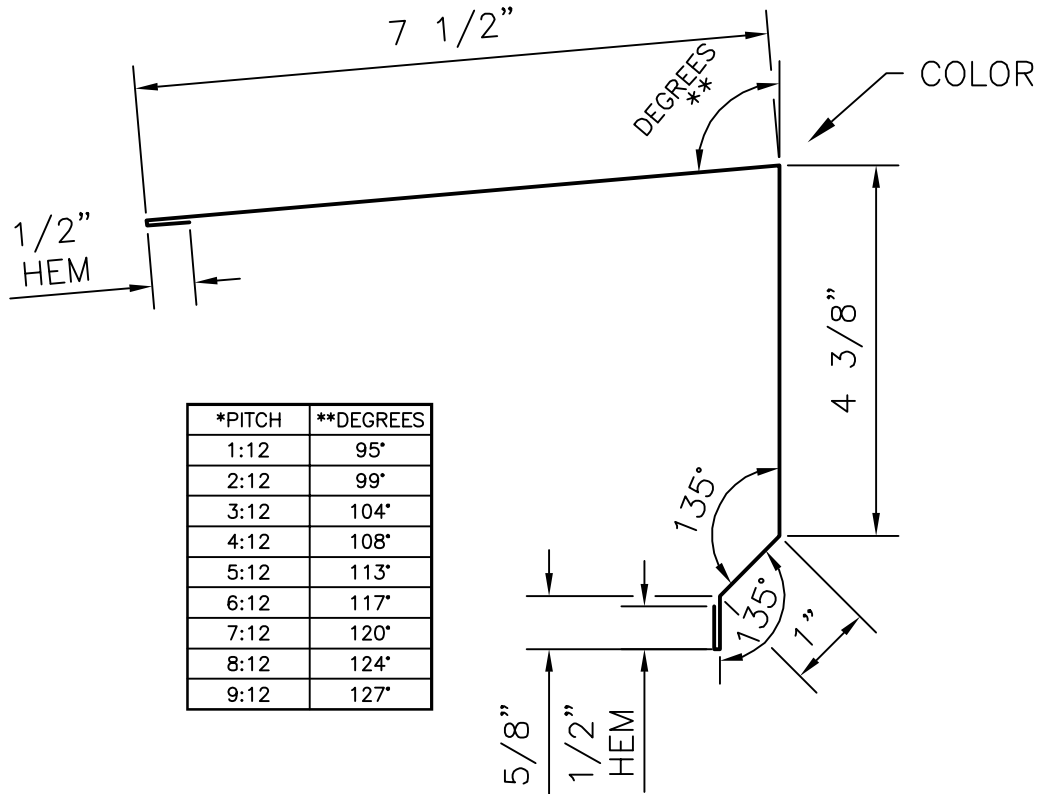
PANEL PROFILES	GAUGE
MAX-RIB	29
MESA	29
MINI-RIB	26 or 29

3-18-20 rev.
 7-08-13 rev.
 10-13-11 rev.
 11-20-06 rev.
 3-09-05

GIRTH: 18 1/2"
 BENDS: 90° AND AS SPECIFIED



*PITCH $\frac{12}{12}$

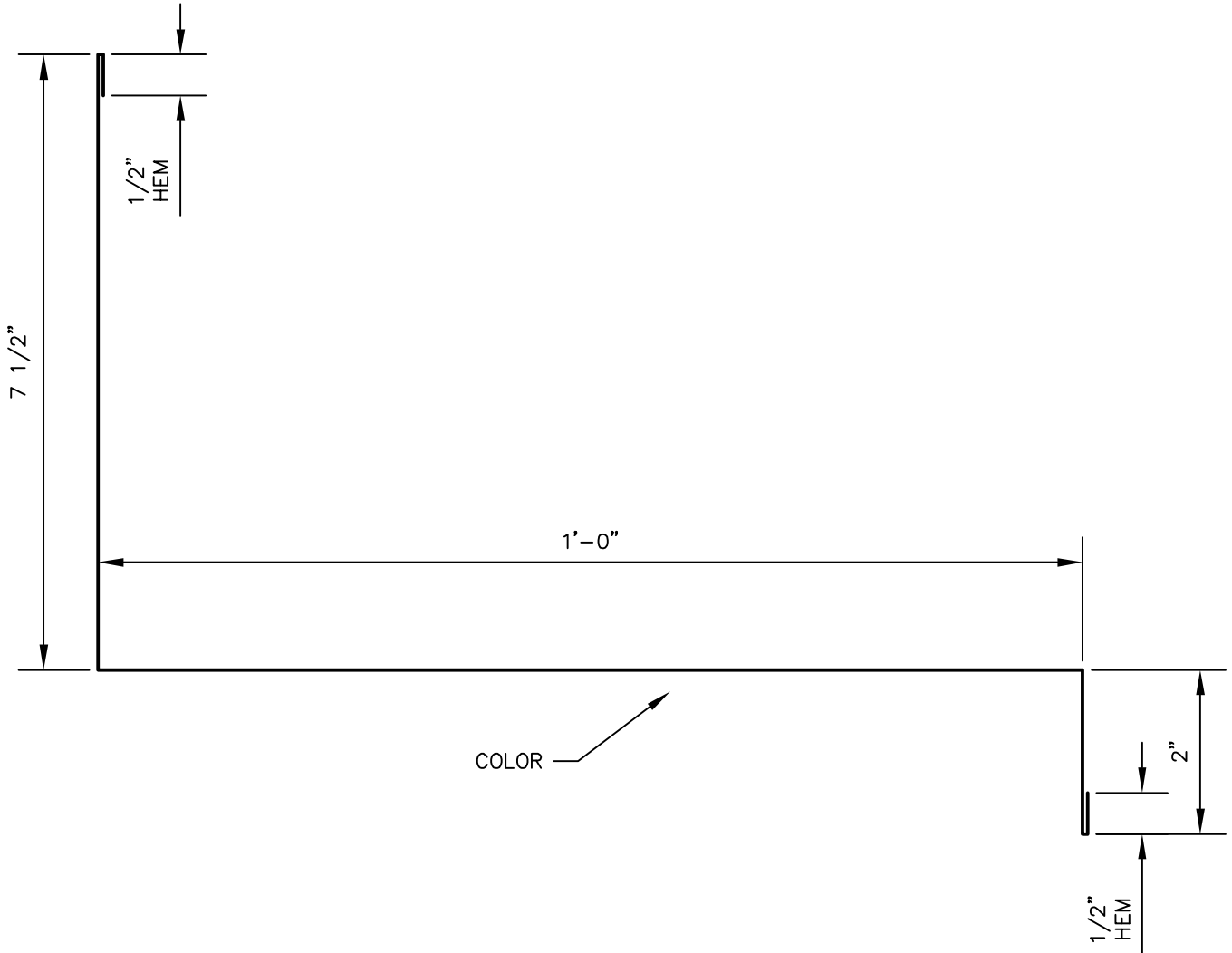


HIGH SIDE EAVE TRIM

PANEL PROFILES	GAUGE
MAX-RIB	29
MESA	29

7-08-13 rev.
4-29-11

GIRTH: 14 1/2"
BENDS: 90° UNLESS SPECIFIED

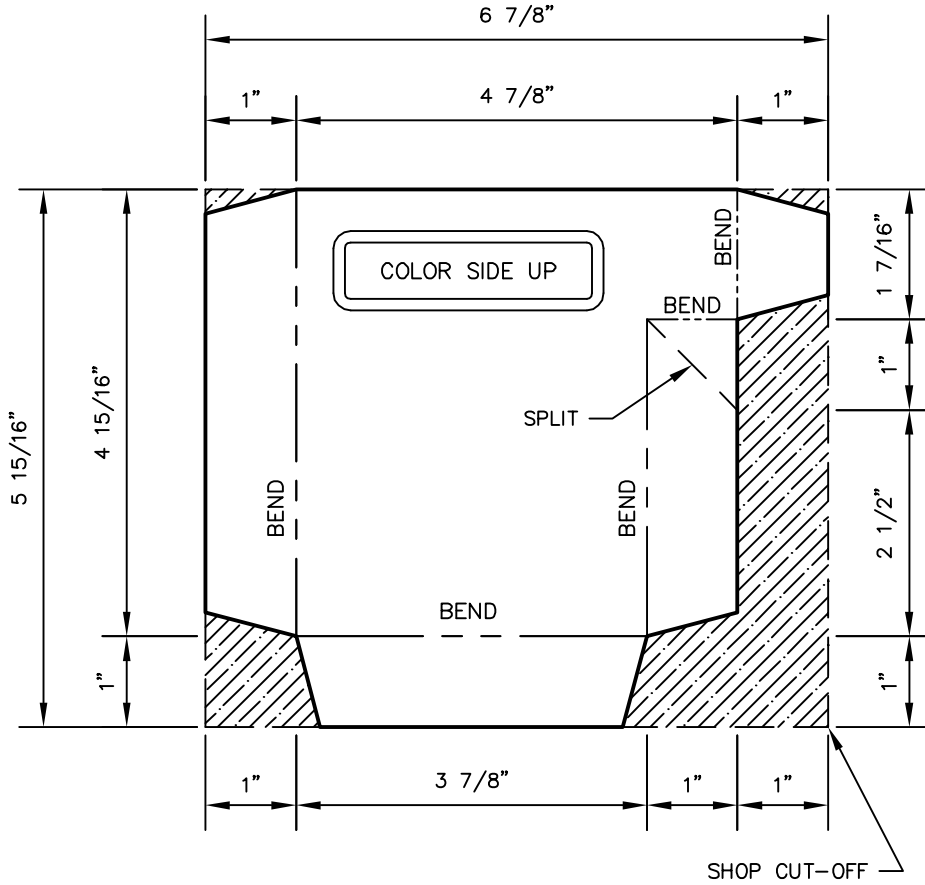
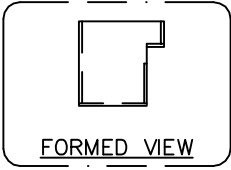


SOFFIT TRIM - 7 1/2"

PANEL PROFILES	GAUGE
MAX-RIB	29
MESA	29
MINI-RIB	26 or 29

- 3-16-20 rev.
- 8-26-13 rev.
- 10-13-11 rev.
- 11-20-06 rev.
- 5-09-05 rev.
- 9-09-96

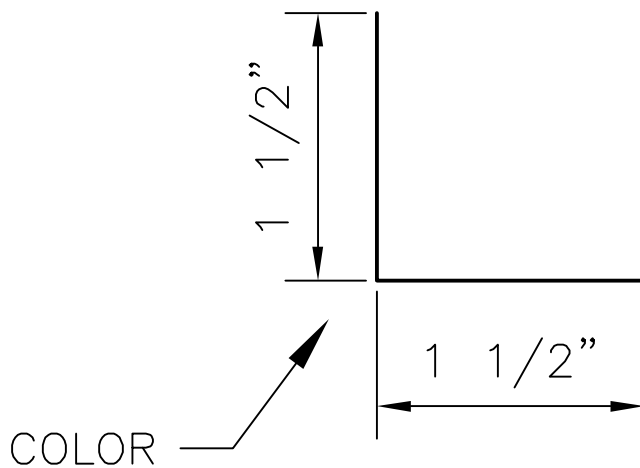
GIRTH: 22 1/2"
BENDS: 90°



GUTTER END CAP

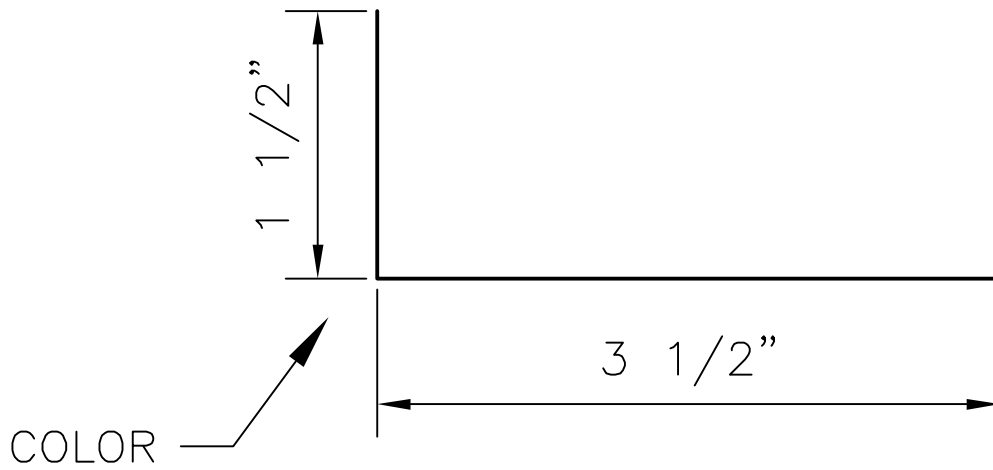
(LEFT HAND SHOWN)
(RIGHT HAND OPP.)

PANEL PROFILES	GAUGE
MAX-RIB	26
MESA	26
MAXIMA 1.5"	24 or 26
MAXIMA 2"	24 or 26
MAXIMA 3"	24 or 26
MAXIMA ADV	24 or 26
MEDALLION I	24 or 26
MEDALLION II	24 or 26
MEDALLION-LOK	24 or 26
MERIDIAN	26



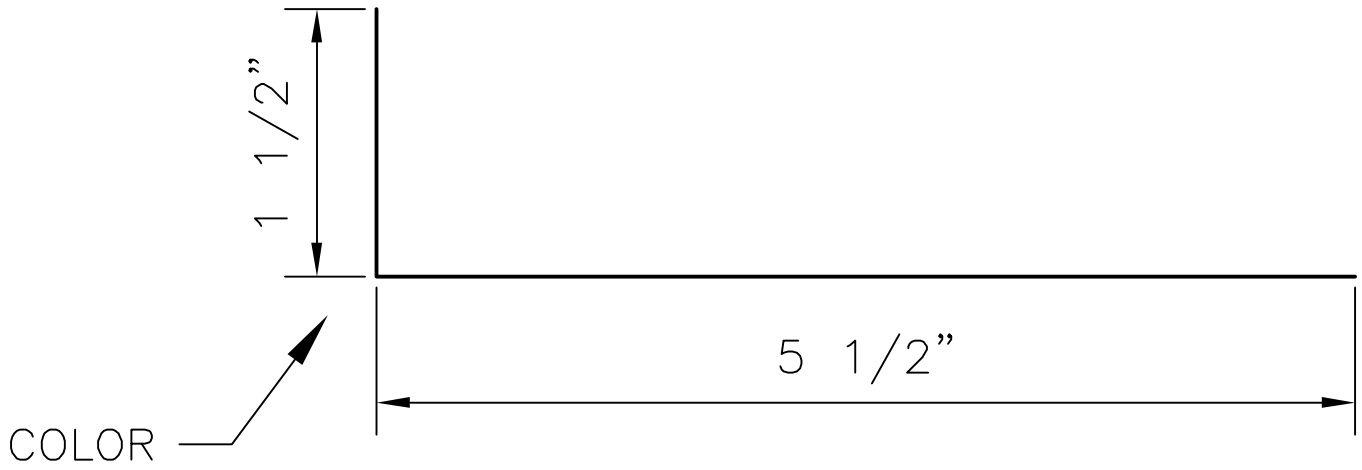
ANGLE TRIM

PANEL PROFILES	GAUGE
MAX-RIB	29
MESA	29
MINI-RIB	26 or 29



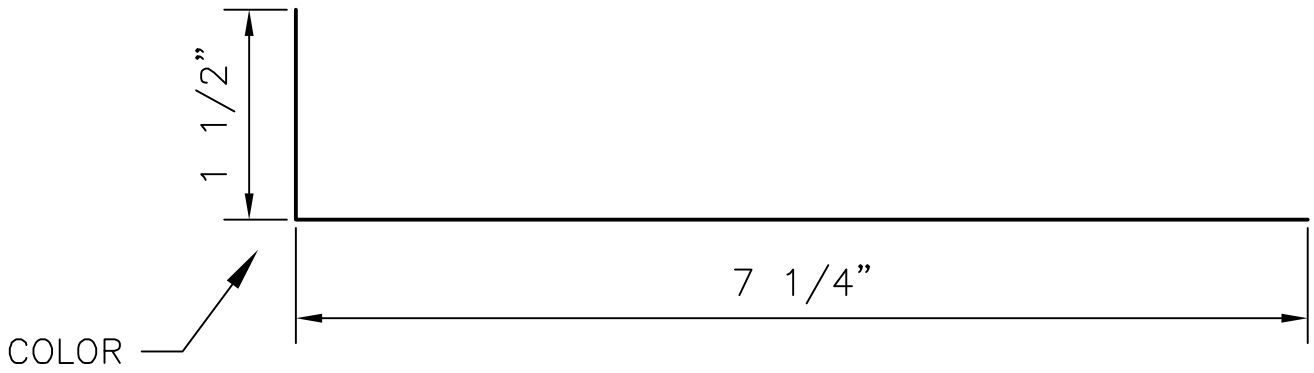
ANGLE TRIM

PANEL PROFILES	GAUGE
MAX-RIB	29
MESA	29
MINI-RIB	26 or 29



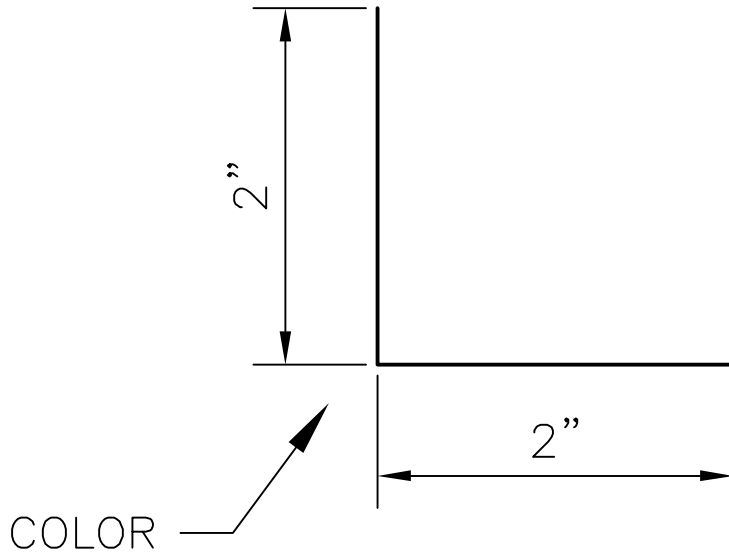
ANGLE TRIM

PANEL PROFILES	GAUGE
MAX-RIB	29
MESA	29
MINI-RIB	26 or 29



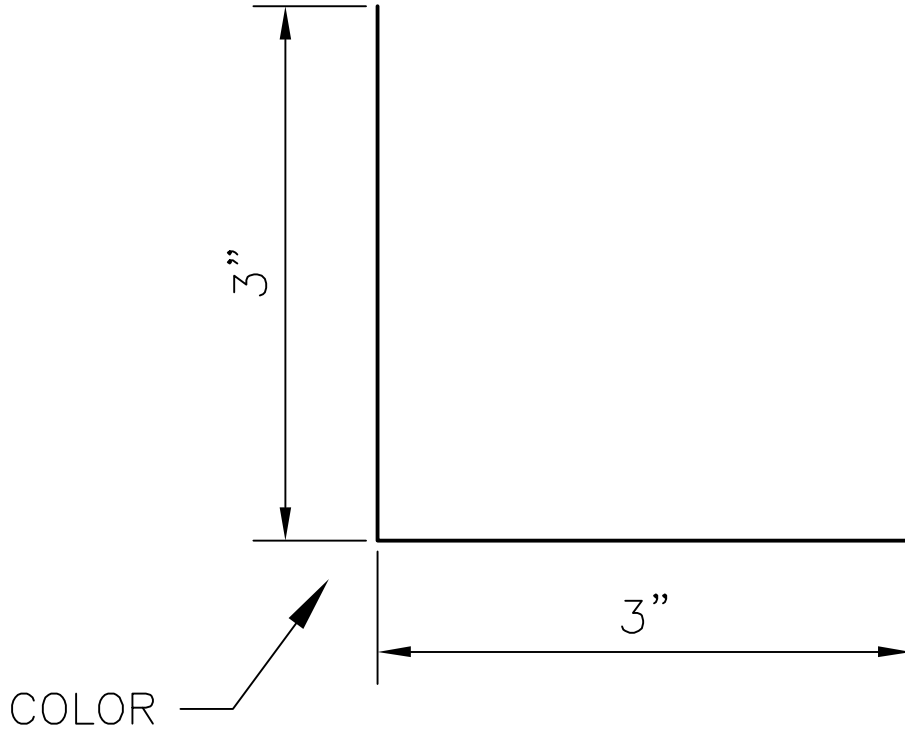
ANGLE TRIM

PANEL PROFILES	GAUGE
MAX-RIB	29
MESA	29
MINI-RIB	26 or 29



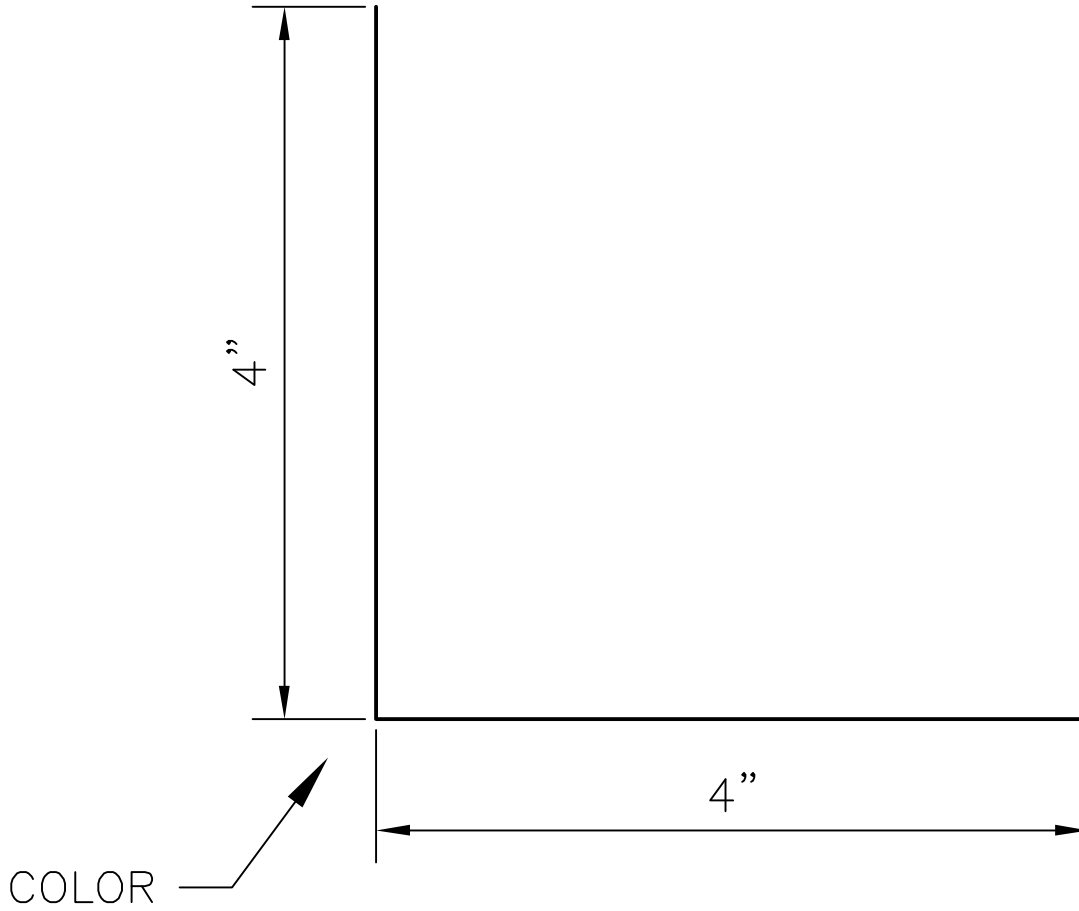
ANGLE TRIM

PANEL PROFILES	GAUGE
MAX-RIB	29
MESA	29
MINI-RIB	26 or 29



ANGLE TRIM

PANEL PROFILES	GAUGE
MAX-RIB	29
MESA	29
MINI-RIB	26 or 29

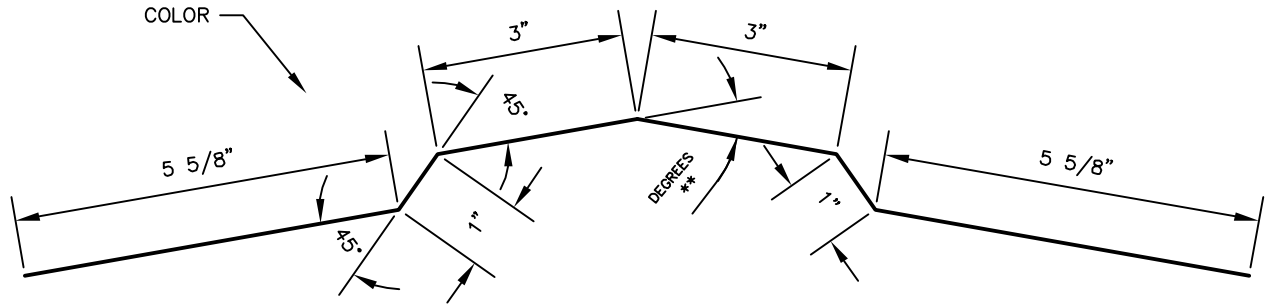


ANGLE TRIM

PANEL PROFILES	GAUGE
MAX-RIB	29
MESA	29
MINI-RIB	26 or 29



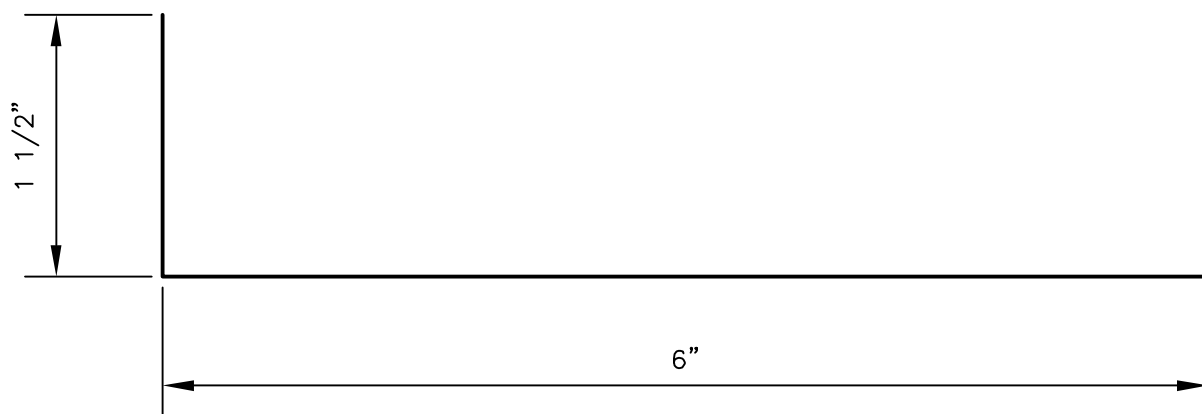
*PITCH $\frac{12}{12}$



*PITCH	**DEGREES
1:12	10°
2:12	19°
3:12	28°
4:12	37°
5:12	45°
6:12	53°
7:12	61°
8:12	68°
9:12	74°
10:12	80°
11:12	85°
12:12	90°

RIDGE CAP

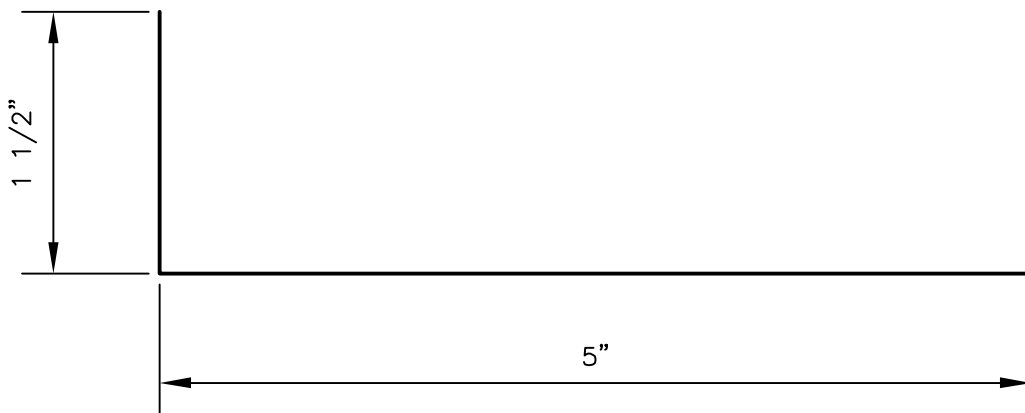
PANEL PROFILES	GAUGE
MAX-RIB	29
MESA	29

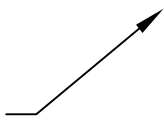


COLOR

ANGLE - 6"

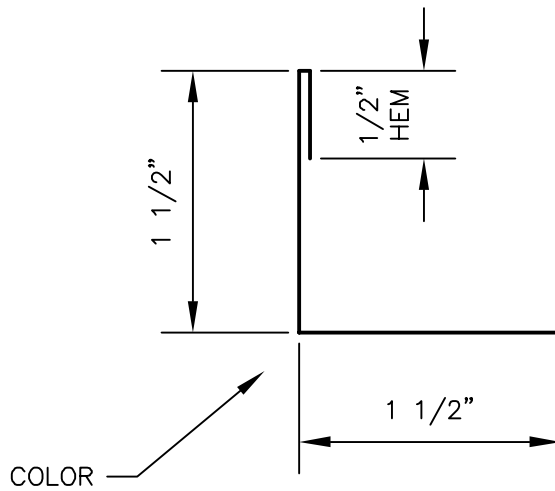
PANEL PROFILES	GAUGE
MAX-RIB	29
MESA	29
MINI-RIB	26 or 29



COLOR 

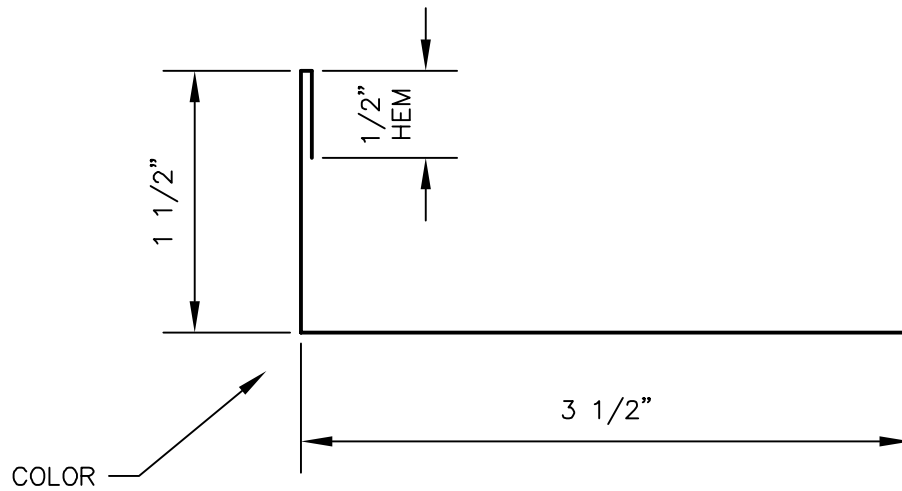
ANGLE - 5"

PANEL PROFILES	GAUGE
MAX-RIB	29
MESA	29
MINI-RIB	26 or 29



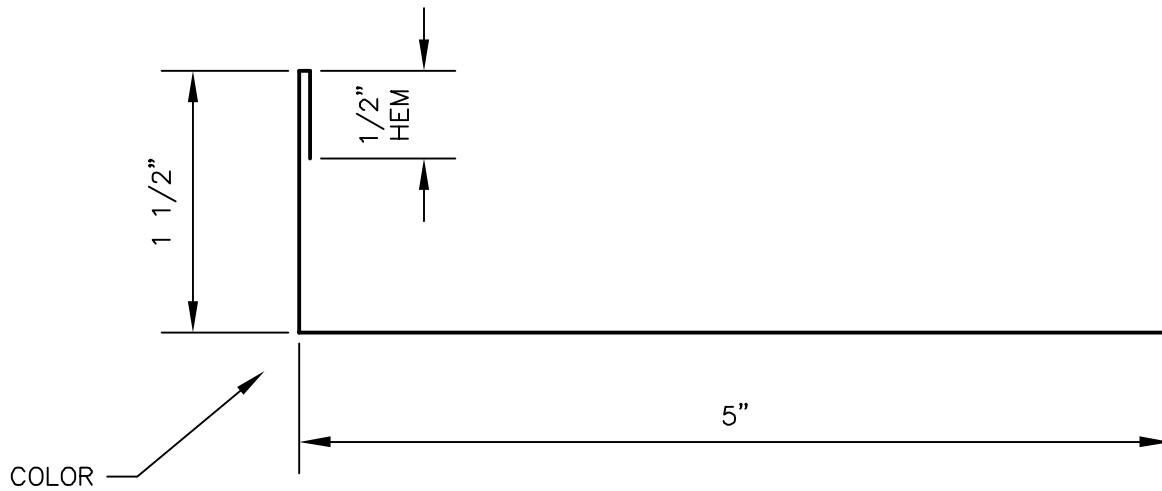
ALT. ANGLE - 1 1/2"

PANEL PROFILES	GAUGE
MAX-RIB	29
MESA	29
MINI-RIB	26 or 29



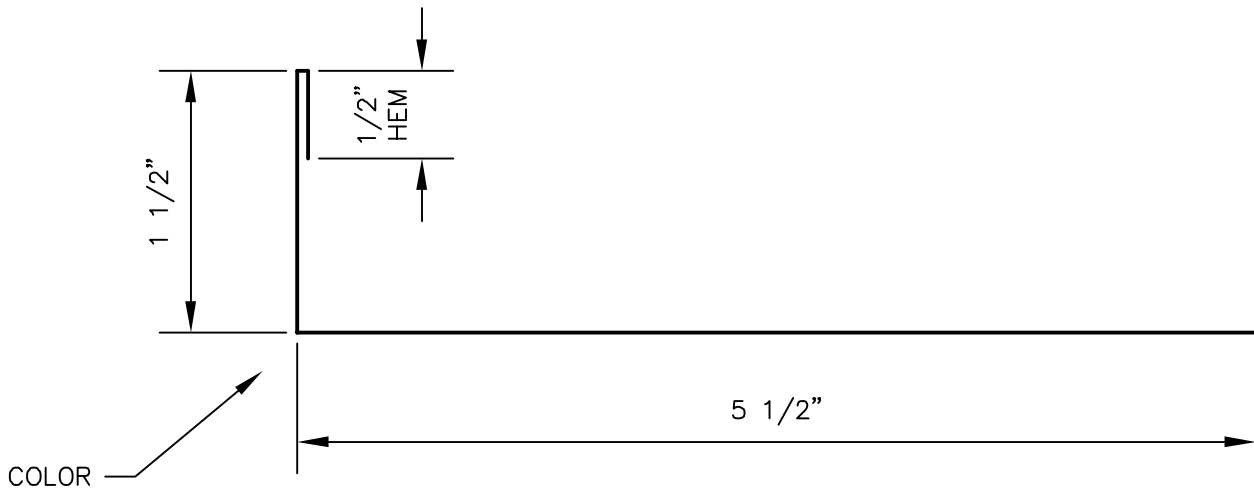
ALT. ANGLE - 3 1/2"

PANEL PROFILES	GAUGE
MAX-RIB	29
MESA	29
MINI-RIB	26 or 29



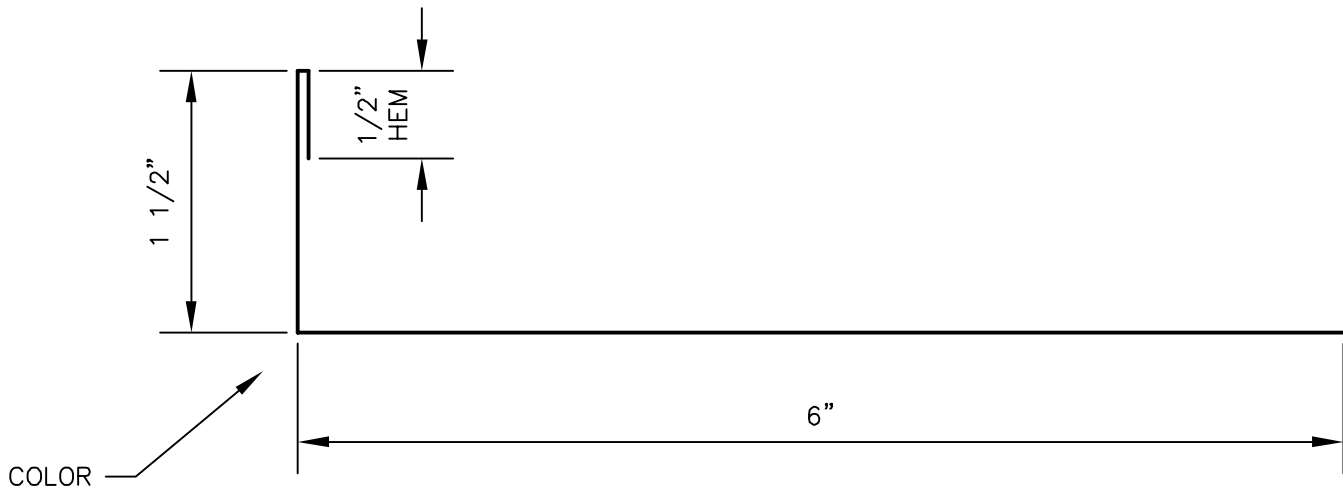
ALT. ANGLE - 5"

PANEL PROFILES	GAUGE
MAX-RIB	29
MESA	29
MINI-RIB	26 or 29



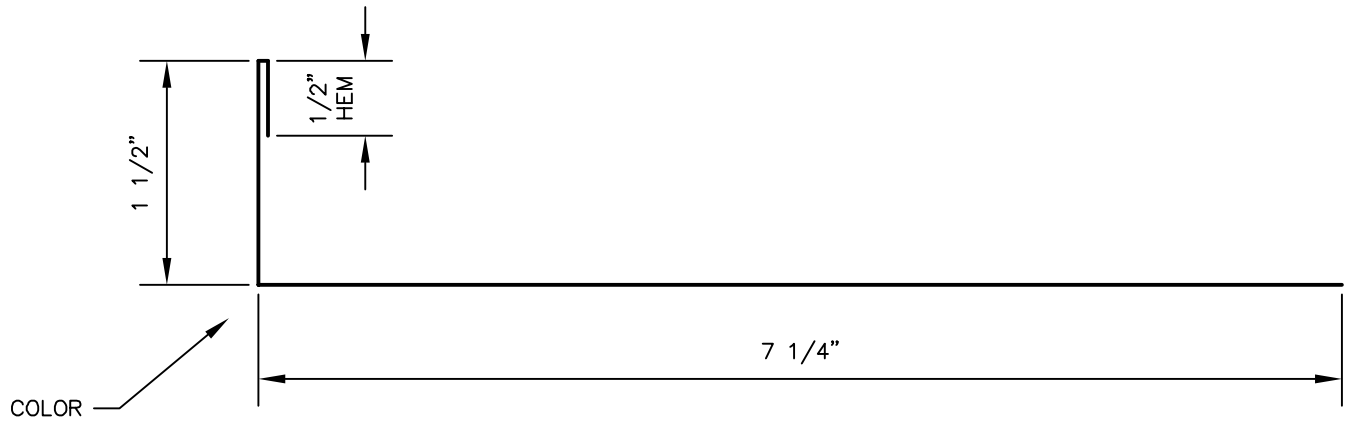
ALT. ANGLE - 5 1/2"

PANEL PROFILES	GAUGE
MAX-RIB	29
MESA	29
MINI-RIB	26 or 29



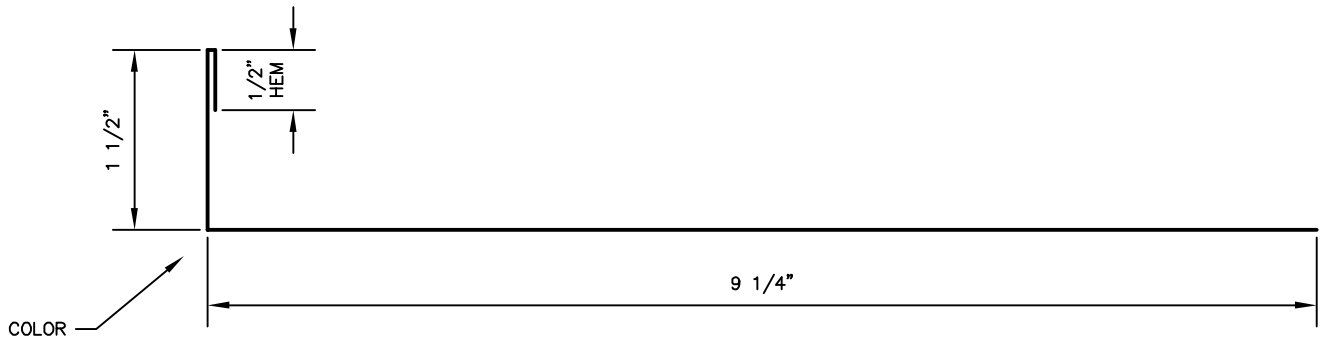
ALT. ANGLE - 6"

PANEL PROFILES	GAUGE
MAX-RIB	29
MESA	29
MINI-RIB	26 or 29



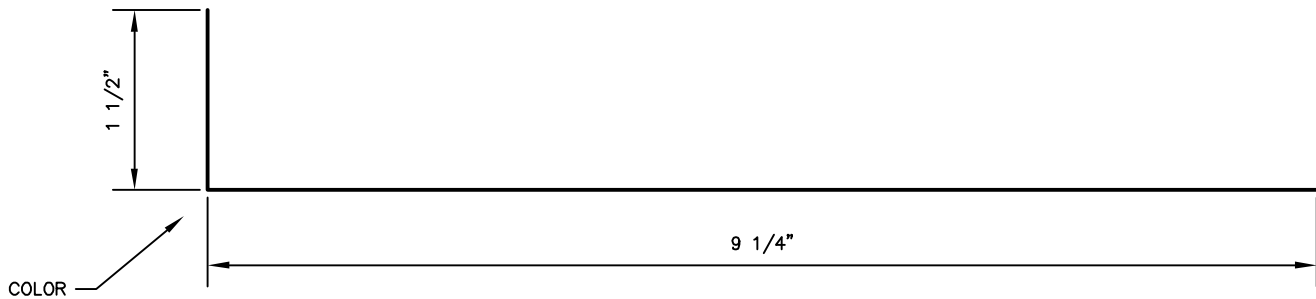
ALT. ANGLE - 7 1/4"

PANEL PROFILES	GAUGE
MAX-RIB	29
MESA	29
MINI-RIB	26 or 29



ALT. ANGLE - 9 1/4"

PANEL PROFILES	GAUGE
MAX-RIB	29
MESA	29
MINI-RIB	26 or 29



ANGLE - 9 1/4"

PANEL PROFILES	GAUGE
MAX-RIB	29
MESA	29
MINI-RIB	26 or 29