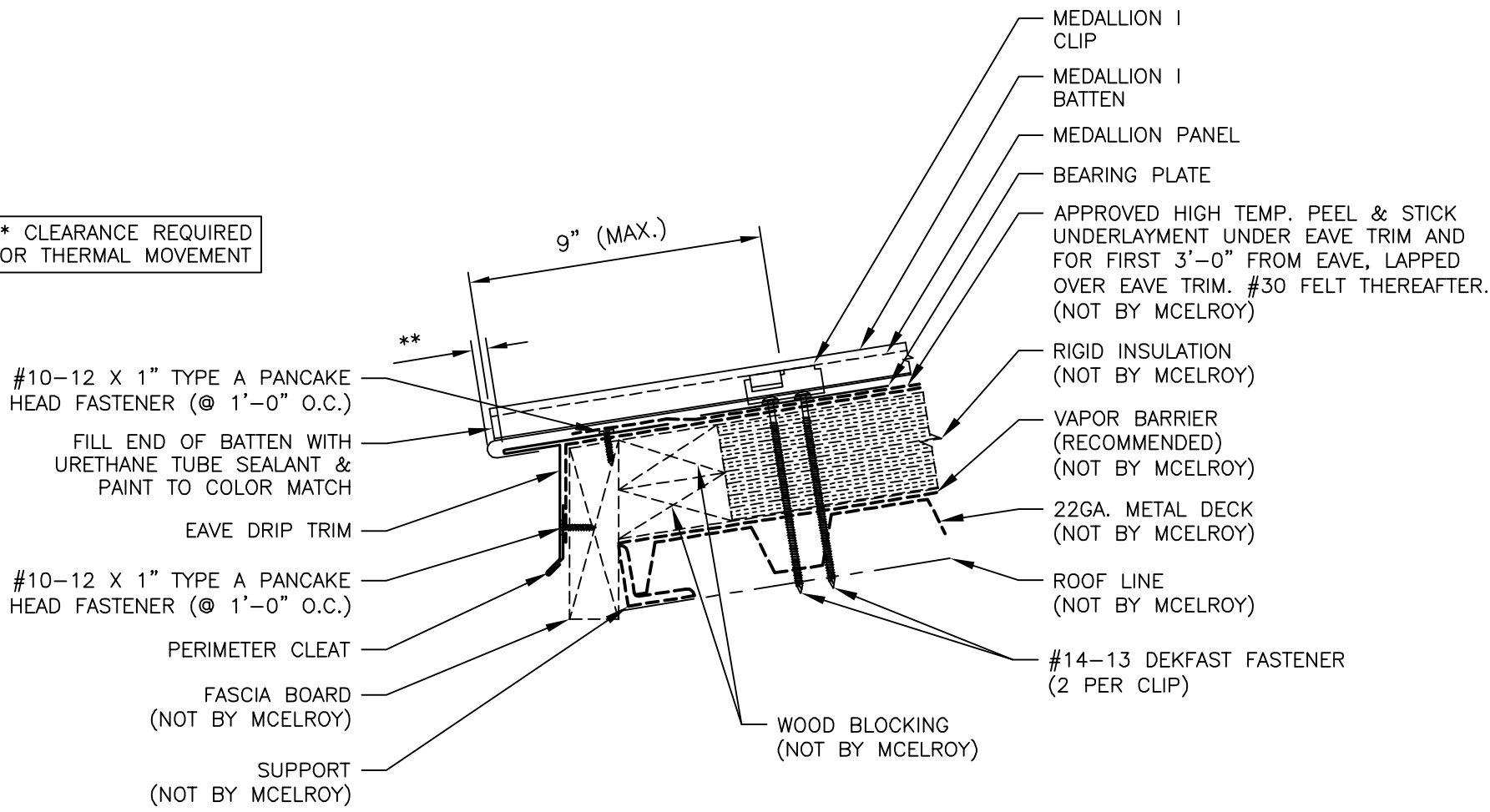


** CLEARANCE REQUIRED FOR THERMAL MOVEMENT



- MEDALLION I CLIP
- MEDALLION I BATTEN
- MEDALLION PANEL
- BEARING PLATE
- APPROVED HIGH TEMP. PEEL & STICK UNDERLAYMENT UNDER EAVE TRIM AND FOR FIRST 3'-0" FROM EAVE, LAPPED OVER EAVE TRIM. #30 FELT THEREAFTER. (NOT BY MCELROY)
- RIGID INSULATION (NOT BY MCELROY)
- VAPOR BARRIER (RECOMMENDED) (NOT BY MCELROY)
- 22GA. METAL DECK (NOT BY MCELROY)
- ROOF LINE (NOT BY MCELROY)
- #14-13 DEKFAST FASTENER (2 PER CLIP)

- #10-12 X 1" TYPE A PANCAKE HEAD FASTENER (@ 1'-0" O.C.)
- FILL END OF BATTEN WITH URETHANE TUBE SEALANT & PAINT TO COLOR MATCH
- EAVE DRIP TRIM
- #10-12 X 1" TYPE A PANCAKE HEAD FASTENER (@ 1'-0" O.C.)
- PERIMETER CLEAT
- FASCIA BOARD (NOT BY MCELROY)
- SUPPORT (NOT BY MCELROY)