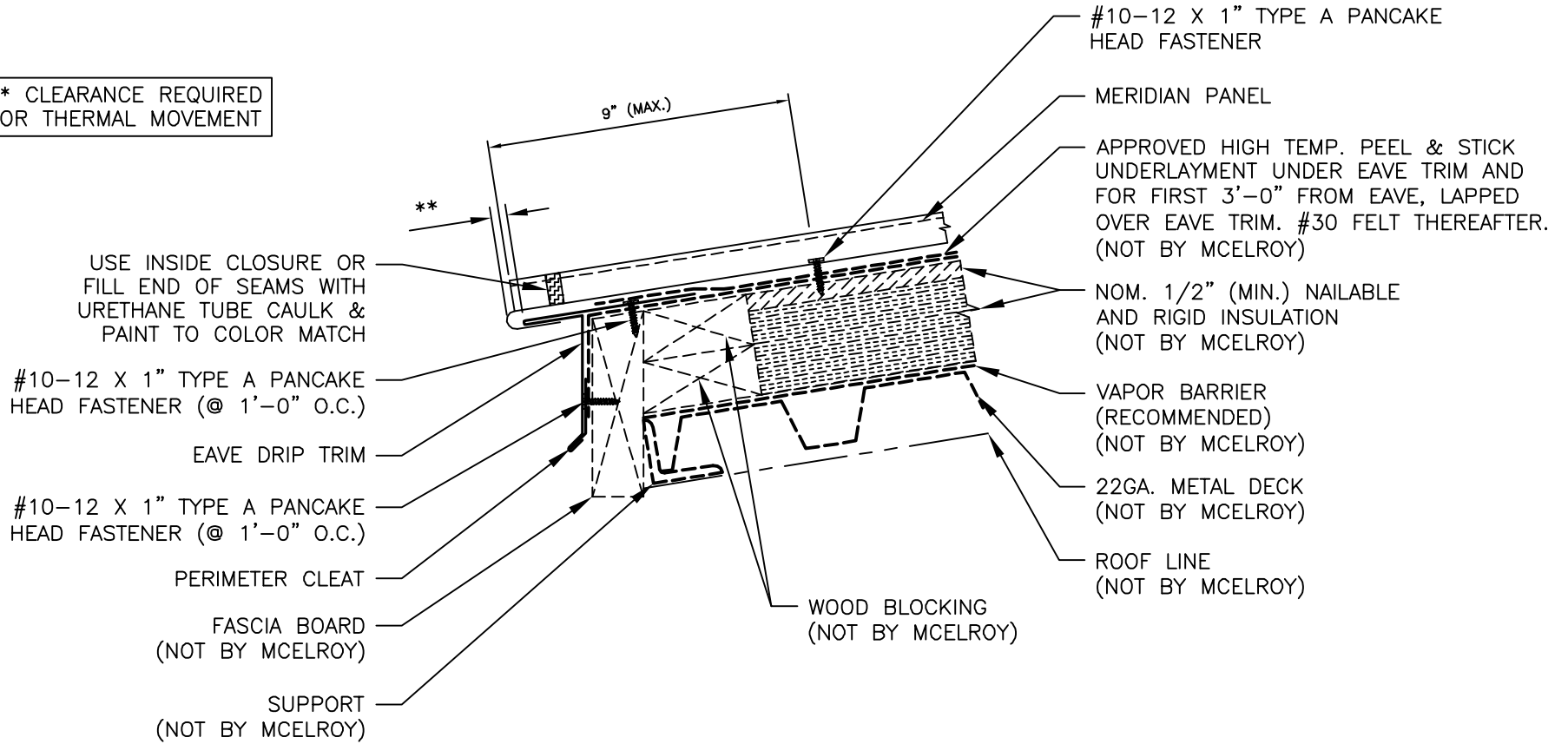


EAVE DRIP TRIM DETAIL

** CLEARANCE REQUIRED FOR THERMAL MOVEMENT



USE INSIDE CLOSURE OR FILL END OF SEAMS WITH URETHANE TUBE CAULK & PAINT TO COLOR MATCH

#10-12 X 1" TYPE A PANCAKE HEAD FASTENER (@ 1'-0" O.C.)

EAVE DRIP TRIM

#10-12 X 1" TYPE A PANCAKE HEAD FASTENER (@ 1'-0" O.C.)

PERIMETER CLEAT

FASCIA BOARD (NOT BY MCELROY)

SUPPORT (NOT BY MCELROY)

#10-12 X 1" TYPE A PANCAKE HEAD FASTENER

MERIDIAN PANEL

APPROVED HIGH TEMP. PEEL & STICK UNDERLAYMENT UNDER EAVE TRIM AND FOR FIRST 3'-0" FROM EAVE, LAPPED OVER EAVE TRIM. #30 FELT THEREAFTER. (NOT BY MCELROY)

NOM. 1/2" (MIN.) NAILABLE AND RIGID INSULATION (NOT BY MCELROY)

VAPOR BARRIER (RECOMMENDED) (NOT BY MCELROY)

22GA. METAL DECK (NOT BY MCELROY)

ROOF LINE (NOT BY MCELROY)

WOOD BLOCKING (NOT BY MCELROY)