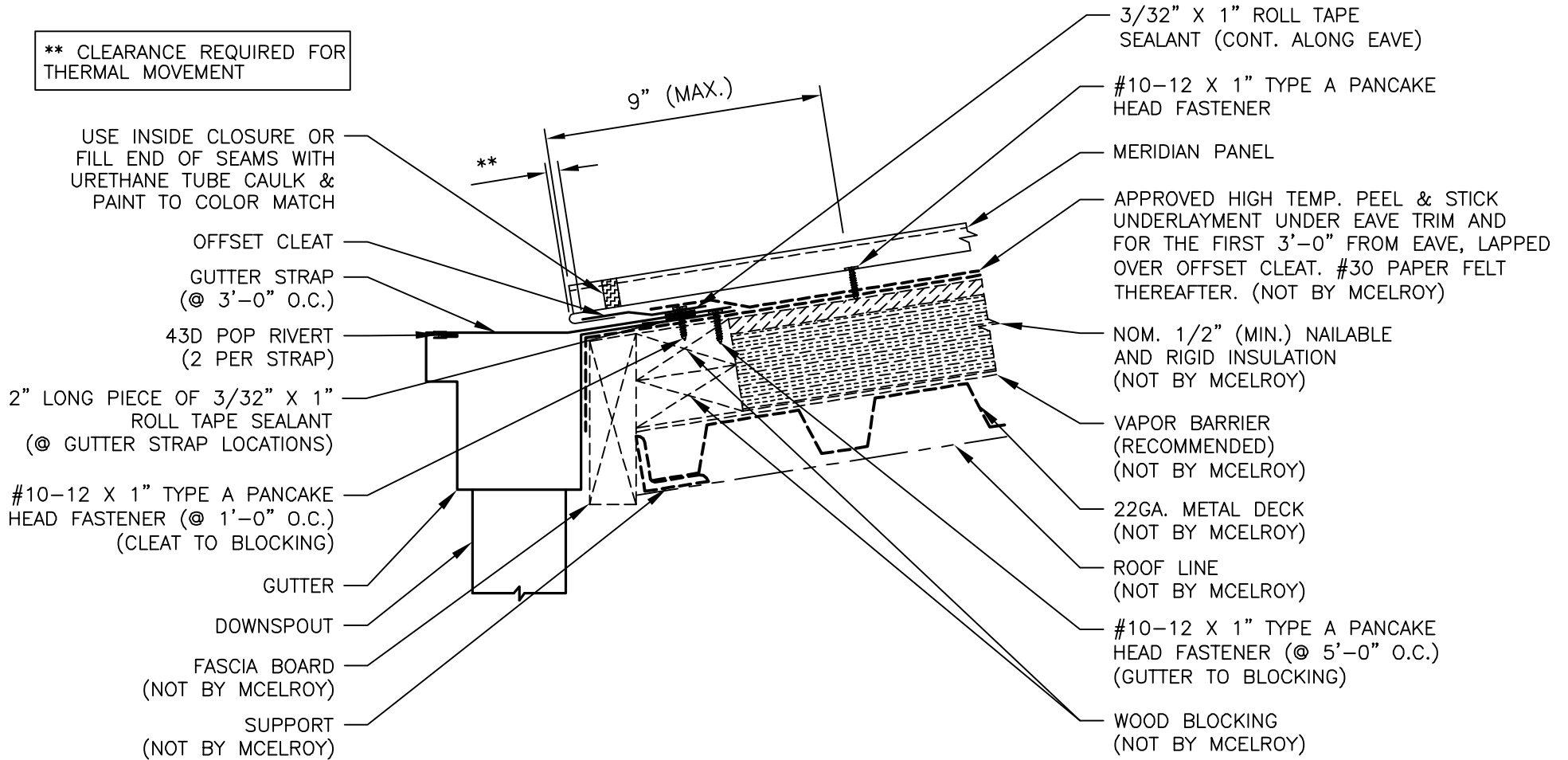


EAVE w/ GUTTER DETAIL

** CLEARANCE REQUIRED FOR THERMAL MOVEMENT

USE INSIDE CLOSURE OR FILL END OF SEAMS WITH URETHANE TUBE CAULK & PAINT TO COLOR MATCH



*NOTE: SLIDING SNOW AND ICE COULD CAUSE DAMAGE TO GUTTER SYSTEM.