

1/4-14 X 7/8" LAPTEK
FASTENERS (@0'-6" O.C.)

3/32" X 1" ROLL TAPE
SEALANT (CONT. ALONG
LENGTH OF HIGH EAVE)

STANDARD OFFSET
CLEAT (MT-38)

43D POP RIVET
(@ TRIM LAPS)

BACK-UP PLATE

TRAP-TEE SEAM CAP

TRAP-TEE PANEL

16" TALL SUPER CLIP

1/4-14 X 1 1/4" HWH TEK2
FASTENERS (2 PER CLIP)

STRUCTURAL ROOF
MEMBER

1/4-14 X 1 1/4" TEK2 ZAC
FASTENERS (1 PER CLOSURE)

OUTSIDE CLOSURE W/
3/16" X 7/8" DOUBLE BEAD
TAPE SEALANT (BOTTOM AND
SIDES OF CLOSURE)

1/4-14 X 1 1/4" TEK2 ZAC
FASTENERS (8 PER CLOSURE)

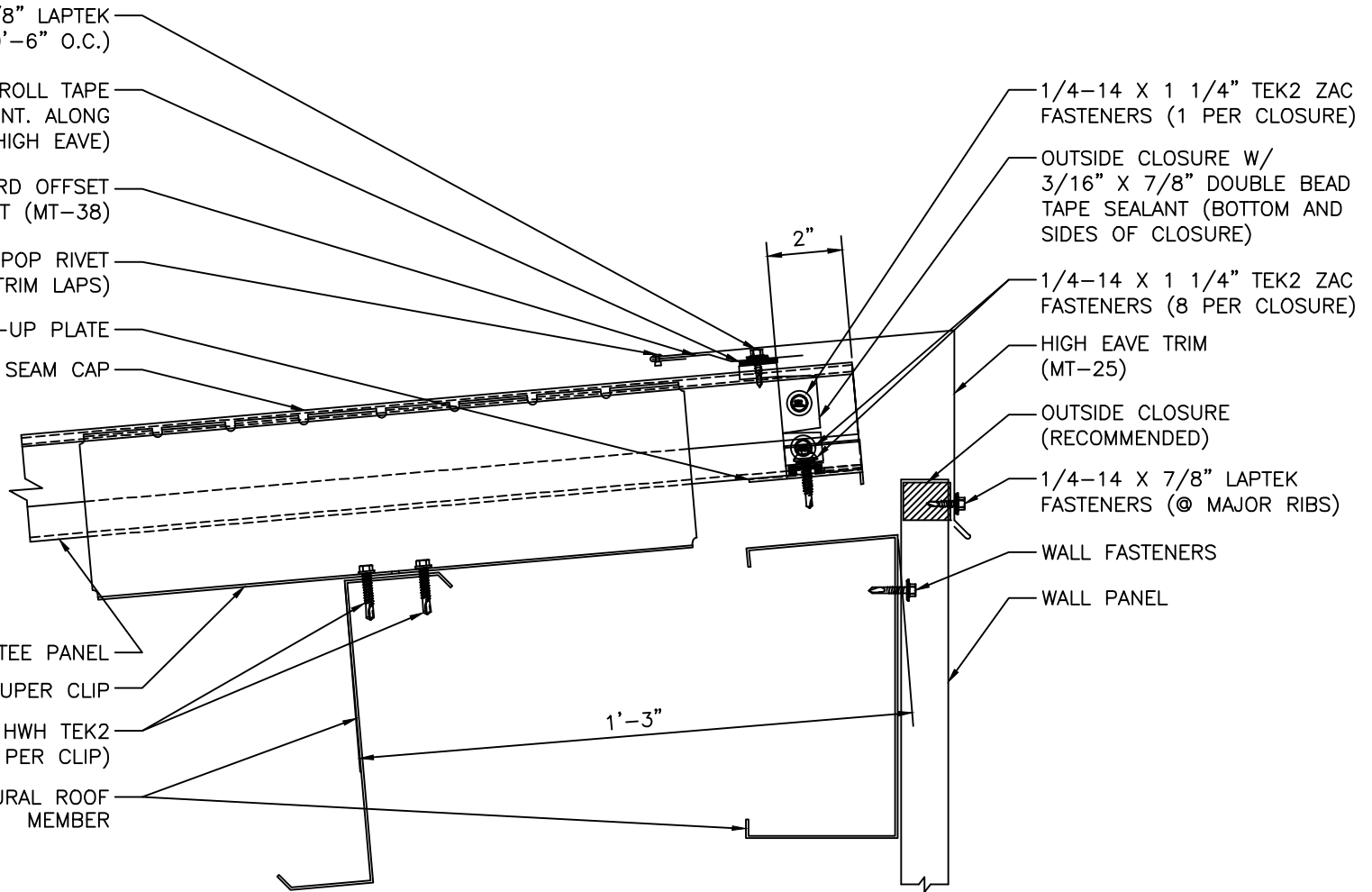
HIGH EAVE TRIM
(MT-25)

OUTSIDE CLOSURE
(RECOMMENDED)

1/4-14 X 7/8" LAPTEK
FASTENERS (@ MAJOR RIBS)

WALL FASTENERS

WALL PANEL



HIGH EAVE DETAIL

ISSUE/REVISION DATE:

11/3/2022

ROOF PANEL: TRAP-TEE

SUBSTRATE: PURLIN

SCALE: N.T.S.