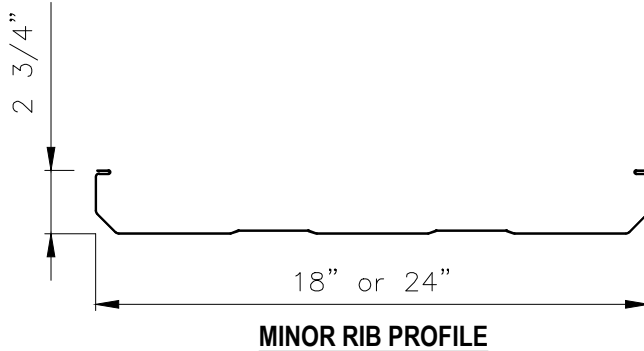


Trap-Tee Panel

Product Data



Applications

Mechanically Seamed roof panel used on slopes down to 1/4:12.

Substrates

Solid Wood Decking, Metal Deck, Rigid Insulation/Metal Deck or Open Framing. Best suited for simple sloped roofs without dormers, hips, valleys or other special conditions.

Material

Standard – 24 GA. ASTM A792 (50 ksi steel) AZ55 – Bare, AZ50 – Painted
Optional – 22 GA. ASTM A792 (50 ksi steel) AZ55 – Bare, AZ50 – Painted
– 20 GA. ASTM A792 (50 ksi steel) AZ55 – Bare, AZ50 – Painted

Manufacturing

Site formed – 18" and 24" Panel.

Factory formed – 18" Panel Only (Houston Plant Only) – Max. Length 40'-0"

Finishes

Acrylic Coated Galvalume®

Fluoropolymer (Kynar 500® PVDF resin-based)

Pan Conditions

Minor Ribs

Oil canning is inherent in all metal panels and is not cause for panel rejection.

Testing *

Uplift: ASTM E1592

Static Waterhead: ASTM 2140

Air & Water Infiltration: ASTM 1680, ASTM 1646

Florida Product Approval: FL 30738.1 & FL 30738.3

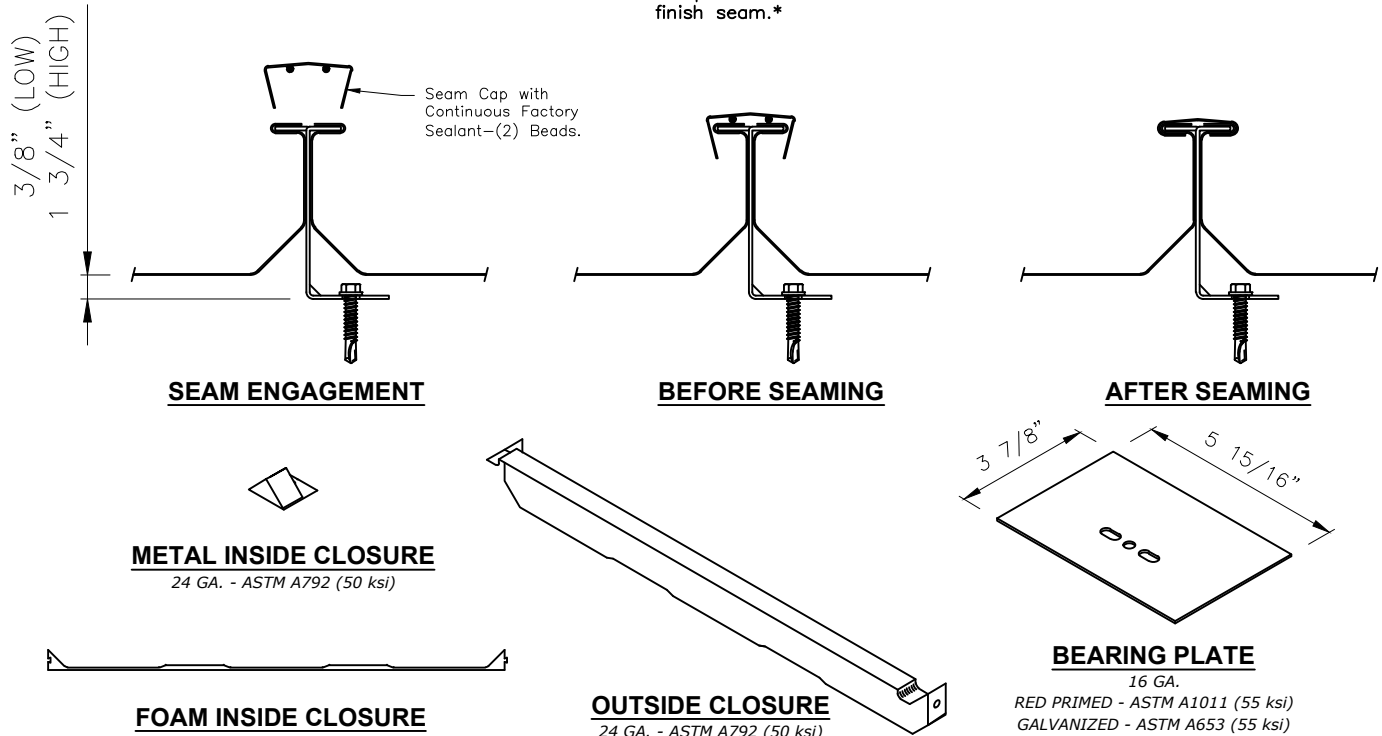
FM Approval

Testing and Approvals are product specific. Please inquire for details

NOTE:

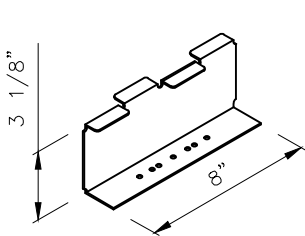
All data represented on this sheet may not be applicable to all widths and gauges. Please contact McElroy Metal for more information.

Requires a Mechanical Seamer and Hand Seamer to finish seam.



Trap-Tee Panel (Continued)

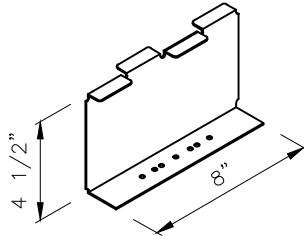
Product Data



STANDARD CLIP

3/8" Offset
16 GA.

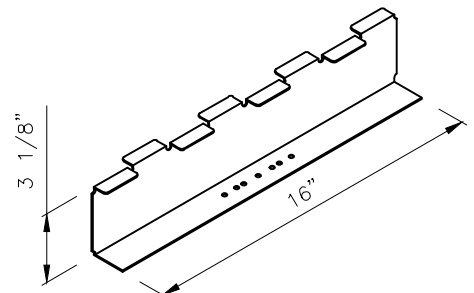
Standard: Galvanized G90 - ASTM A653 (50 ksi)



TALL CLIP

1 3/4" Offset
16 GA.

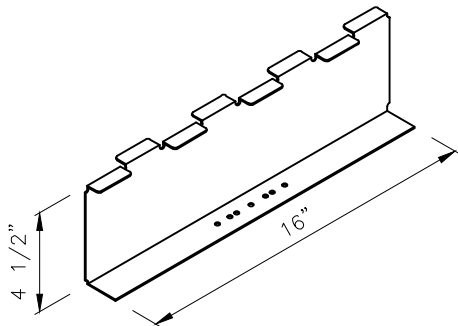
Standard: Galvanized G90 - ASTM A653 (50 ksi)



SUPER CLIP

3/8" Offset
16 GA.

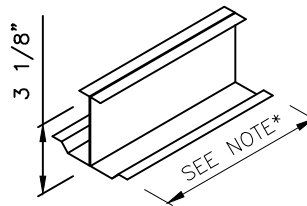
Standard: Galvanized G90 - ASTM A653 (50 ksi)



SUPER TALL CLIP

1 3/4" Offset
16 GA.

Standard: Galvanized G90 - ASTM A653 (50 ksi)



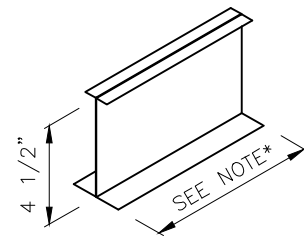
LOW MULTI-SPAN CLIP

3/8" Offset
2-Piece

Standard: 24 GA. - ASTM A792 (50 ksi)

Optional: 22 GA. - ASTM A792 (50 ksi)

*Sold in lengths up to 30'-0"



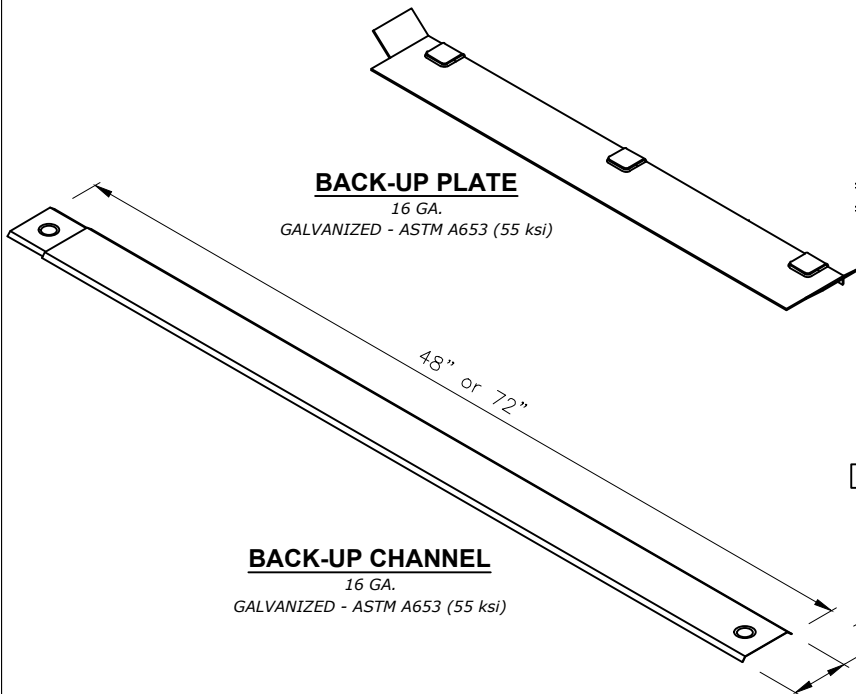
HIGH MULTI-SPAN CLIP

1 3/4" Offset
2-Piece

Standard: 24 GA. - ASTM A792 (50 ksi)

Optional: 22 GA. - ASTM A792 (50 ksi)

*Sold in lengths up to 30'-0"

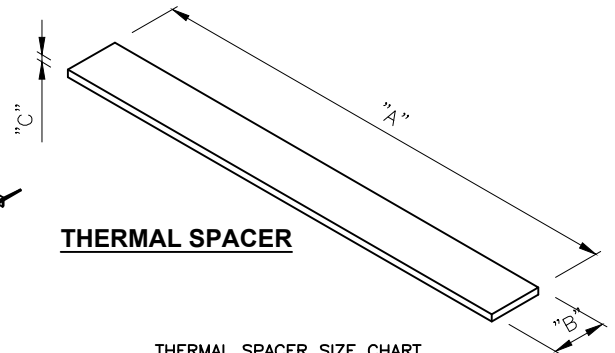


BACK-UP PLATE

16 GA.
GALVANIZED - ASTM A653 (55 ksi)

BACK-UP CHANNEL

16 GA.
GALVANIZED - ASTM A653 (55 ksi)



THERMAL SPACER

THERMAL SPACER SIZE CHART			
PANEL	"A"	"B"	"C"
24"	22 7/8"	3"	3/8", 5/8", 1" or 1 3/8"

*NOTE: FOR 18" PANELS, FIELD CUT 22 7/8" SPACERS DOWN TO 16 7/8" LONG.