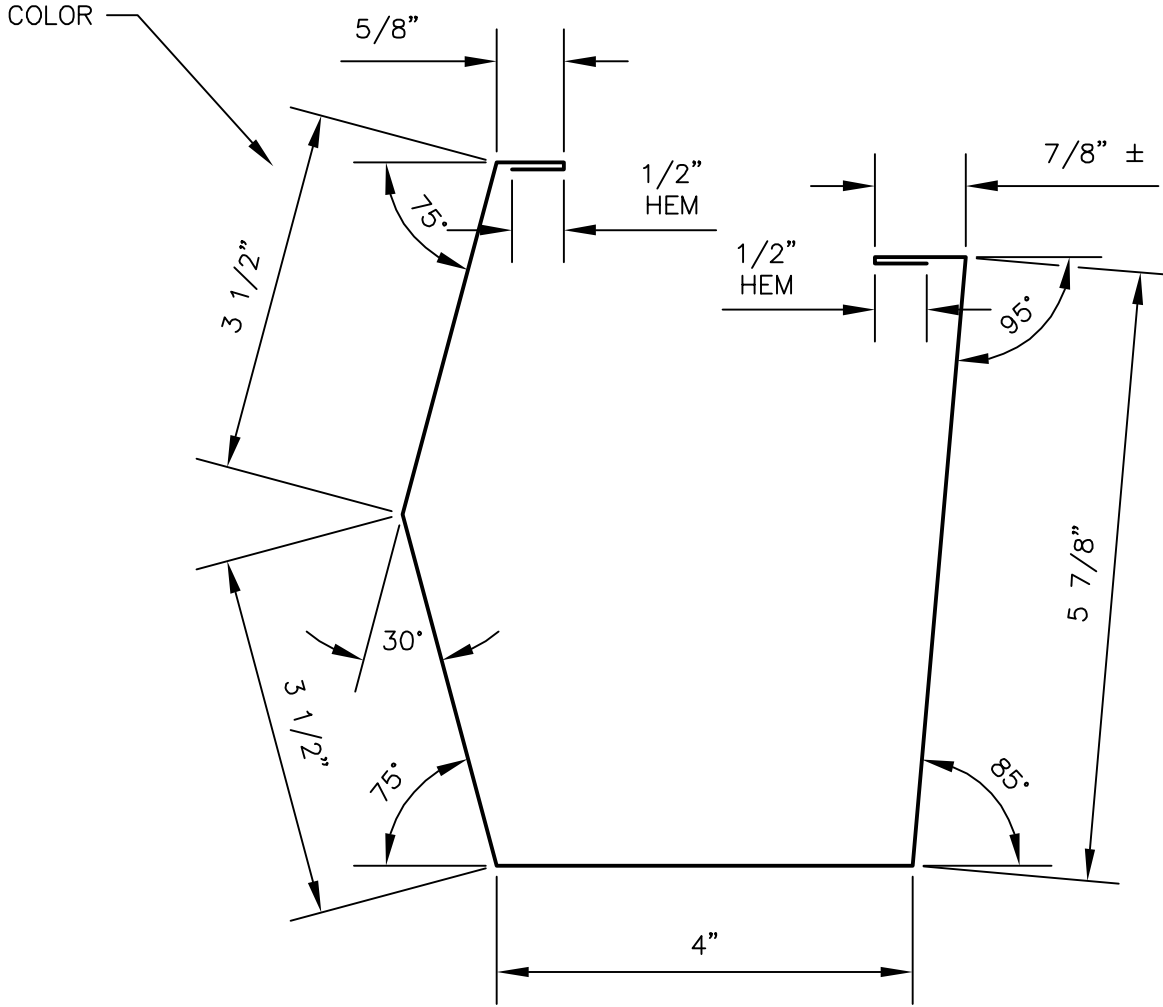


# U-PANEL TRIM INDEX

<u>DWG #:</u>	<u>DESCRIPTION:</u>	<u>IMAGE #:</u>
UTW-0101	Standard Gutter	87
UTW-0102	Rake Trim	41
UTW-0103	Zee Flashing	249
UTW-0104	Outside Angle Trim	268
UTW-0105	Inside Angle Trim	269
UTW-0106	Masonry Wainscoat Trim	270
UTW-0107	Rake Tie-In Trim	61
UTW-0108	High-Side Tie-In Trim	13
UTW-0109	High Side Eave Trim	5
UTW-0110	Gutter Strap	114
UTW-0111	Sculptured Gutter	99
UTW-0112	Ridge Cap	73
UTW-0113	Eave Trim	22
UTW-0114	Head Trim	250
UTW-0115	Jamb Trim	251
UTW-0116	Inside Corner Trim	254
UTW-0117	Outside Corner Trim	255
UTW-0118	Base Trim	252
UTW-0119	Simple Base Trim	253
UTW-0120	Standard Gutter End Cap - Finished	101A
UTW-0121	Standard Gutter End Cap - Pattern	101B
		} 101
UTW-0122	Sculptured Gutter End Cap - Finished	103A
UTW-0123	Sculptured Gutter End Cap - Pattern	103B
		} 103
UTW-0124	Outside Corner Box - Finished	172A
UTW-0125	Outside Corner Box - Pattern (Endwall)	172B
UTW-0126	Outside Corner Box - Pattern (Sidewall)	172C
		} 172
UTW-0127	Sculptured Eave Trim	34
UTW-0128	Rake Closure - Finished	170A
UTW-0129	Rake Closure - Pattern	170B
		} 170
UTW-0130	High-Side Corner Box - Finished	175A
UTW-0131	High-Side Corner Box - Pattern (Endwall)	175B
UTW-0132	High-Side Corner Box - Pattern (Sidewall)	175C
		} 175
UTW-0133	Fixed Peak Box (1:12) - Pattern	223B
UTW-0134	Fixed Peak Box (1:12) - Finished	223A
		} 223
UTW-0135	Fixed Peak Box (2:12) - Pattern	225B
UTW-0136	Fixed Peak Box (2:12) - Finished	225A
		} 225

<u>DWG #:</u>	<u>DESCRIPTION:</u>	<u>IMAGE #:</u>
UTW-0137	Fixed Peak Box (3:12) - Pattern	227B
UTW-0138	Fixed Peak Box (3:12) - Finished	227A
UTW-0139	Fixed Peak Box (4:12) - Pattern	229B
UTW-0140	Fixed Peak Box (4:12) - Finished	229A
UTW-0141	Fixed Peak Box (5:12) - Pattern	231B
UTW-0142	Fixed Peak Box (5:12) - Finished	231A
UTW-0143	Fixed Peak Box (6:12) - Pattern	233B
UTW-0144	Fixed Peak Box (6:12) - Finished	233A
UTW-0145	Gutter End Cap	121
UTW-0146	Gutter	118
UTW-0147	Gutter Corner Box (Finished)	178A
UTW-0148	Gutter Corner Box (Patterns)	178B
		178C
		178D

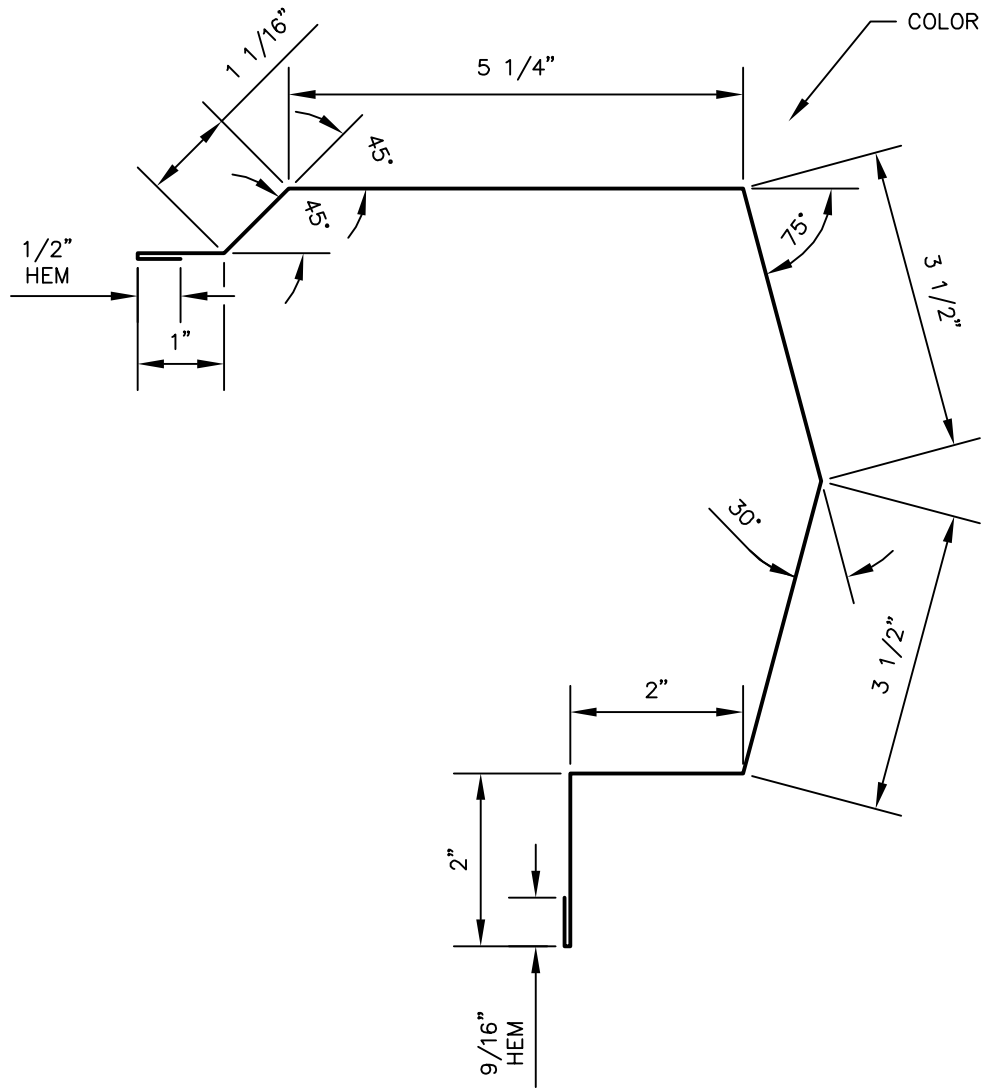


STANDARD GUTTER

PANEL PROFILES	GAUGE
U-PANEL	26

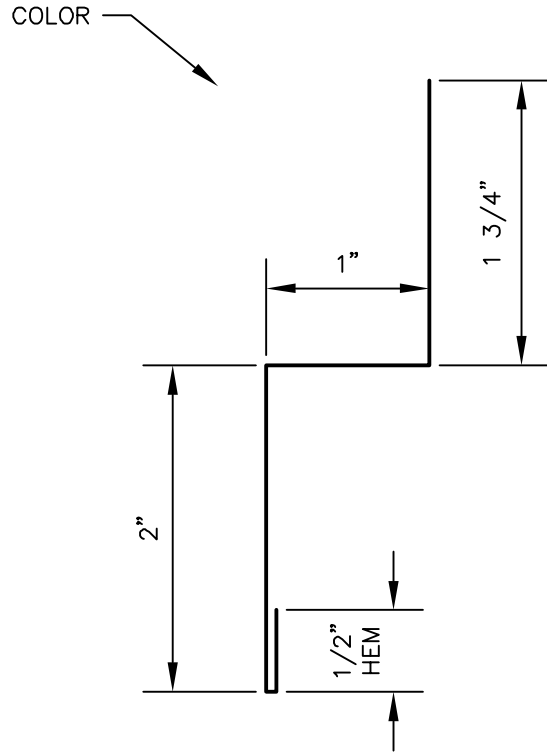
7-09-13 rev.  
 9-27-11 rev.  
 4-14-03 rev.  
 9-9-02

GIRTH: 19 3/8"  
 BENDS: 90° UNLESS SPECIFIED



RAKE TRIM

PANEL PROFILES	GAUGE
U-PANEL	26

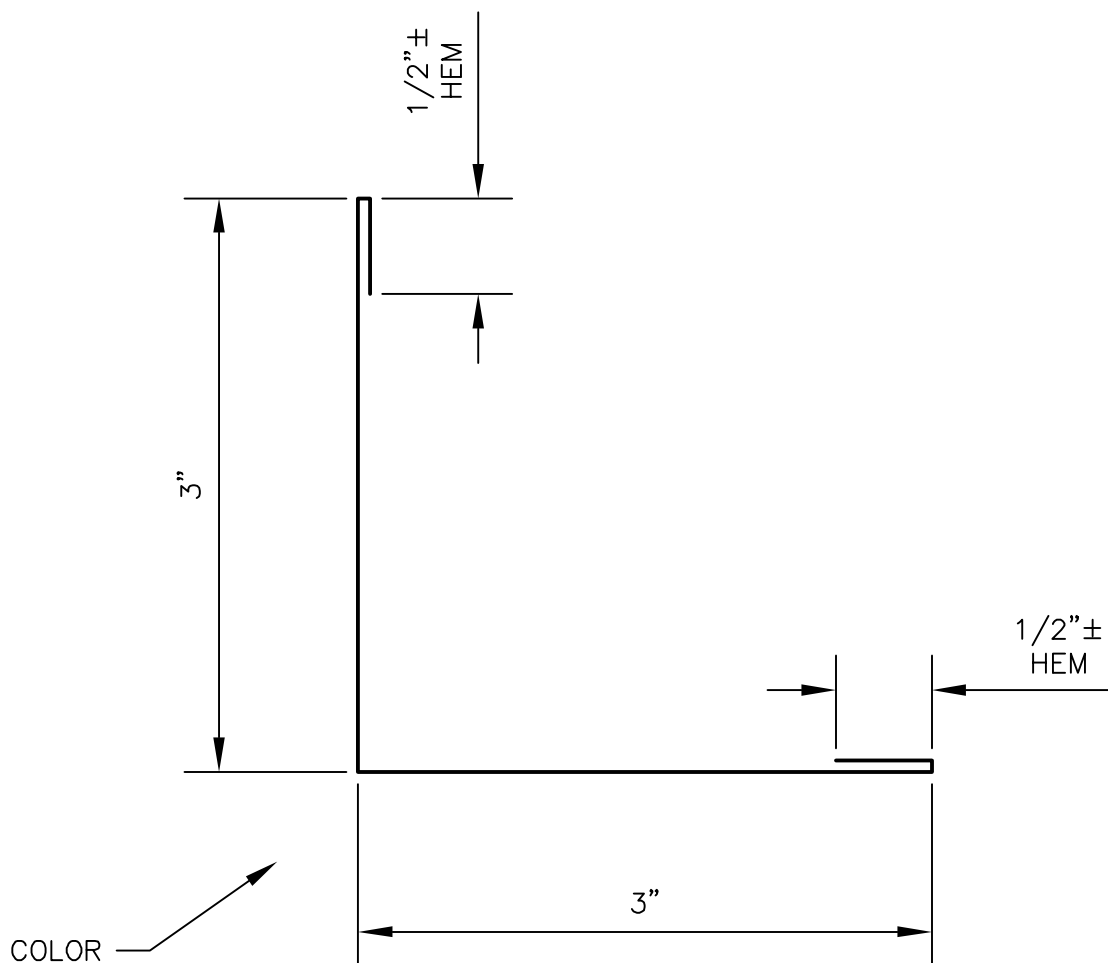


ZEE FLASHING

PANEL PROFILES	GAUGE
U-PANEL	26

7-09-13 rev.  
11-02-11 rev.  
4-16-03 rev.  
9-09-02

GIRTH: 5 1/4"  
BENDS: 90°

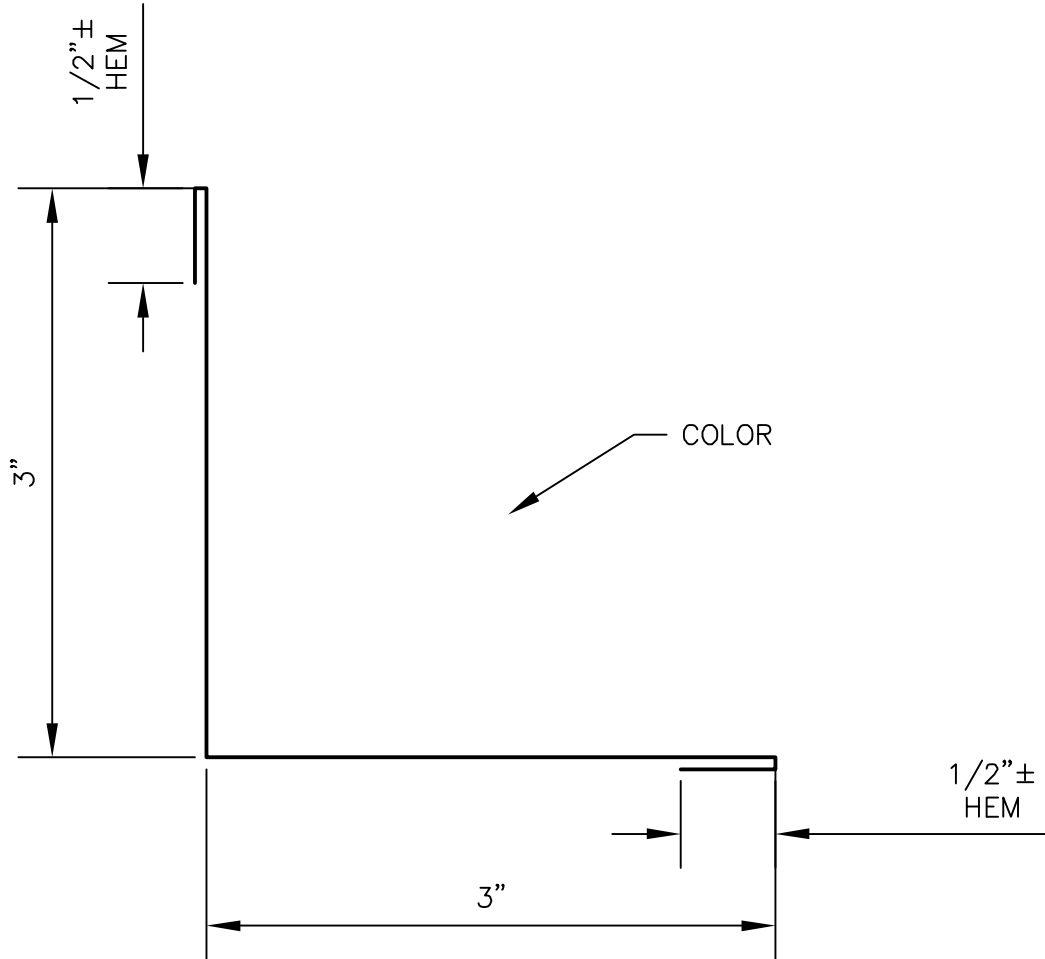


OUTSIDE ANGLE TRIM

PANEL PROFILES	GAUGE
U-PANEL	26
MULTI-RIB	26
R-PANEL	26
MULTI-COR	26
M-COR	26

7-09-13 rev.  
 10-13-11 rev.  
 9-09-02

GIRTH: 7"  
 BENDS: 90° AND AS SPECIFIED

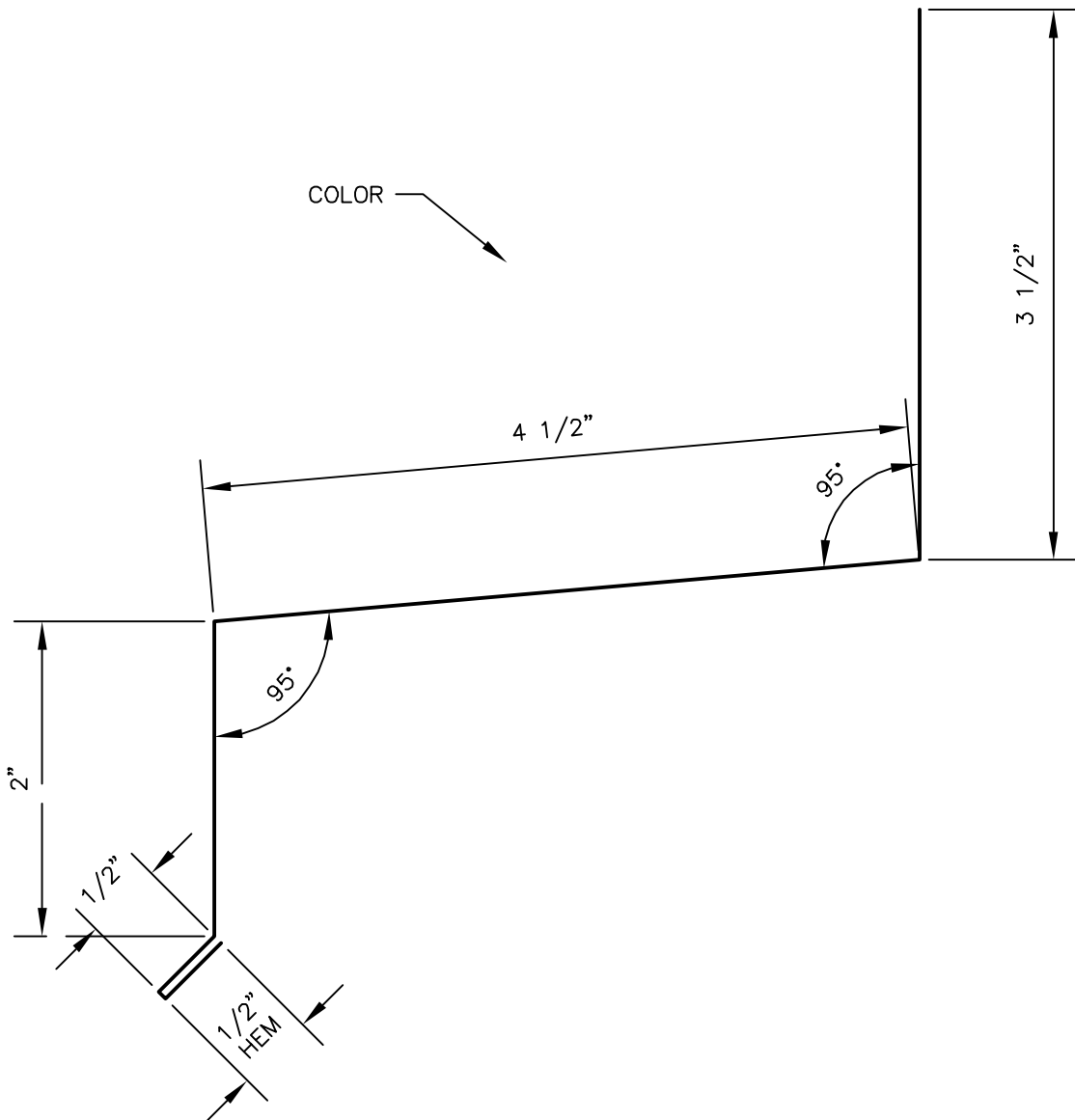


INSIDE ANGLE TRIM

PANEL PROFILES	GAUGE
U-PANEL	26
MULTI-RIB	26
R-PANEL	26

7-09-13 rev.  
10-13-11 rev.  
9-09-02

GIRTH: 7"  
BENDS: 90° AND AS SPECIFIED



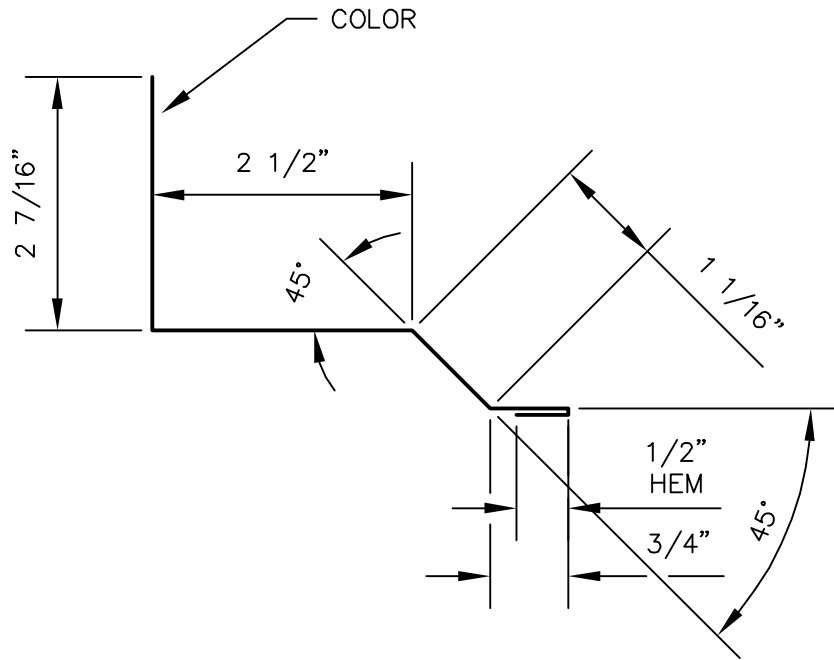
## MASONRY WAINSCOAT TRIM

PANEL PROFILES	GAUGE
U-PANEL	26
MULTI-RIB	26
R-PANEL	26
MULTI-V	26
MEGA-RIB	26
M-COR	26
MULTI-COR	26

8-26-13 rev.  
11-02-11 rev.  
9-09-02

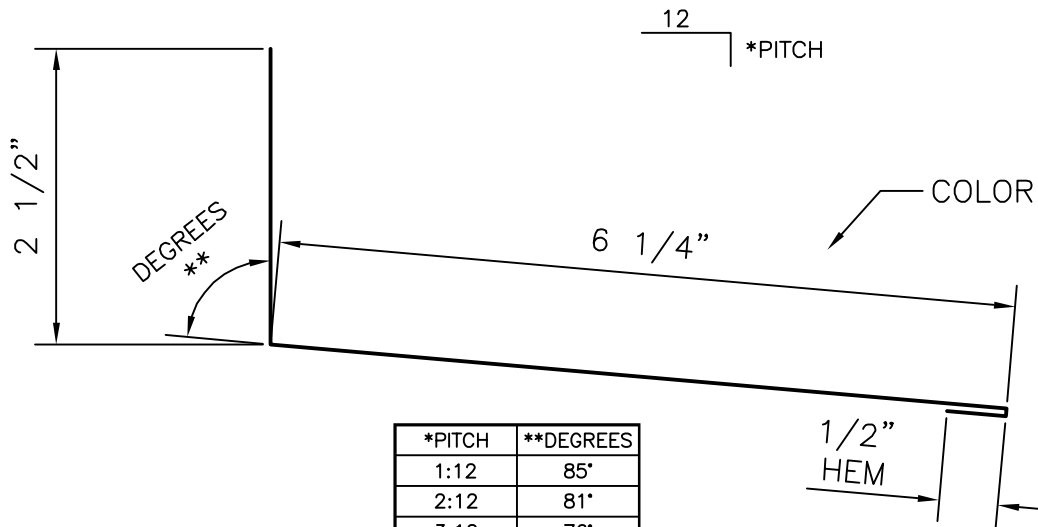
GIRTH: 11"  
BENDS: 90° AND AS SPECIFIED





RAKE TIE-IN TRIM

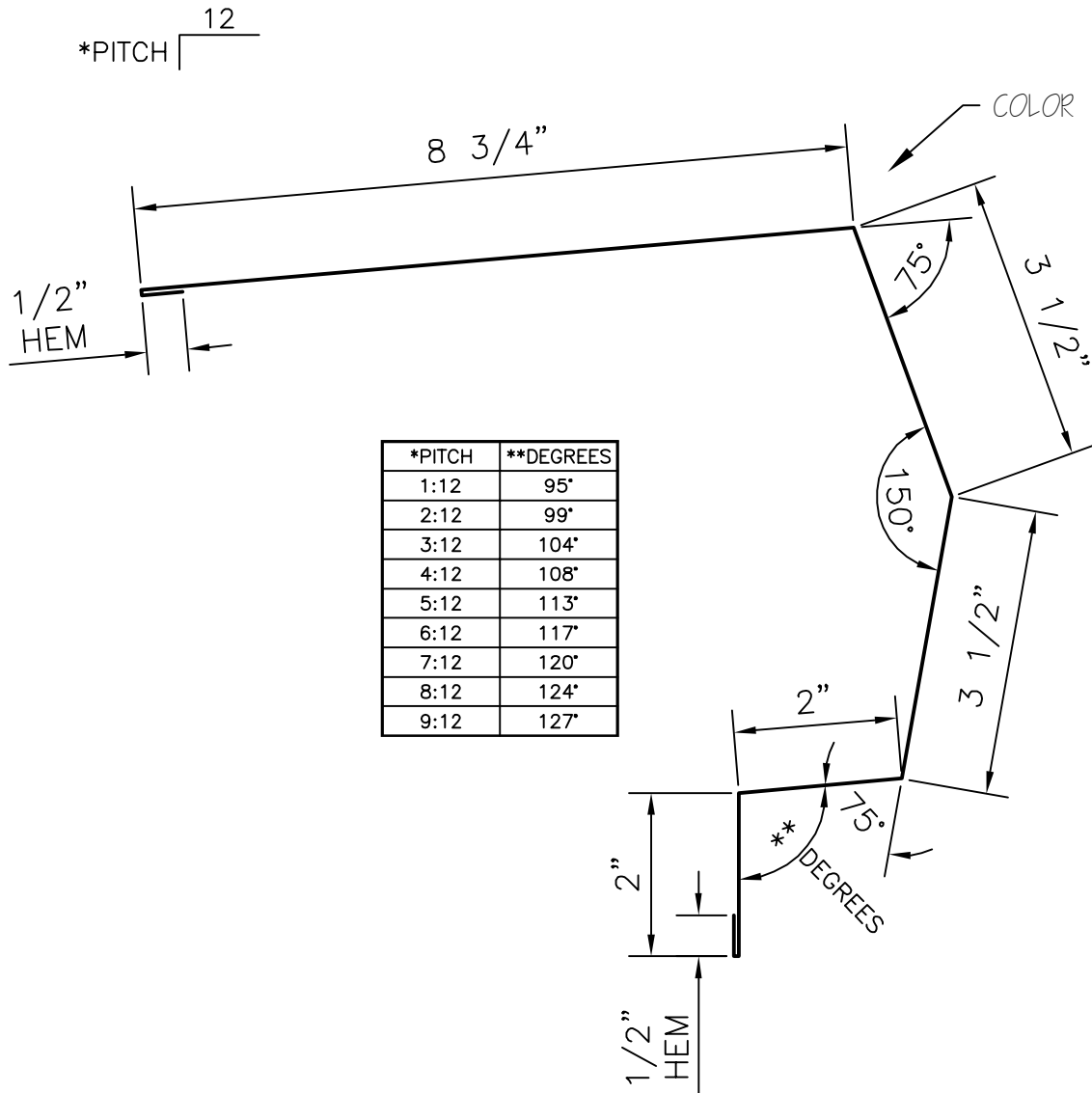
PANEL PROFILES	GAUGE
U-PANEL	26



*PITCH	**DEGREES
1:12	85°
2:12	81°
3:12	76°
4:12	72°
5:12	67°
6:12	63°
7:12	60°
8:12	56°
9:12	53°
10:12	50°
11:12	47°
12:12	45°

## HIGH-SIDE TIE-IN TRIM

PANEL PROFILES	GAUGE
U-PANEL	26
MULTI-RIB	26
R-PANEL	26
MULTI-COR	26
M-COR	26

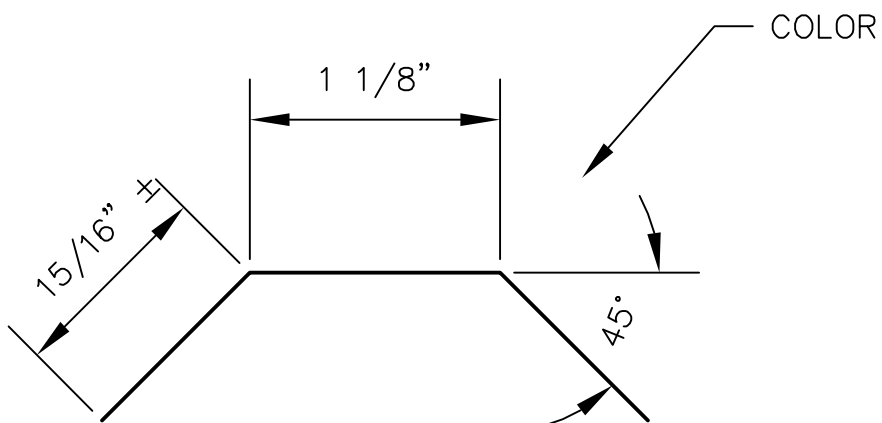


## HIGH SIDE EAVE TRIM

PANEL PROFILES	GAUGE
U-PANEL	26
MULTI-RIB	26
R-PANEL	26

7-09-13 rev.  
4-29-11

GIRTH: 20 3/4"  
BENDS: AS SPECIFIED

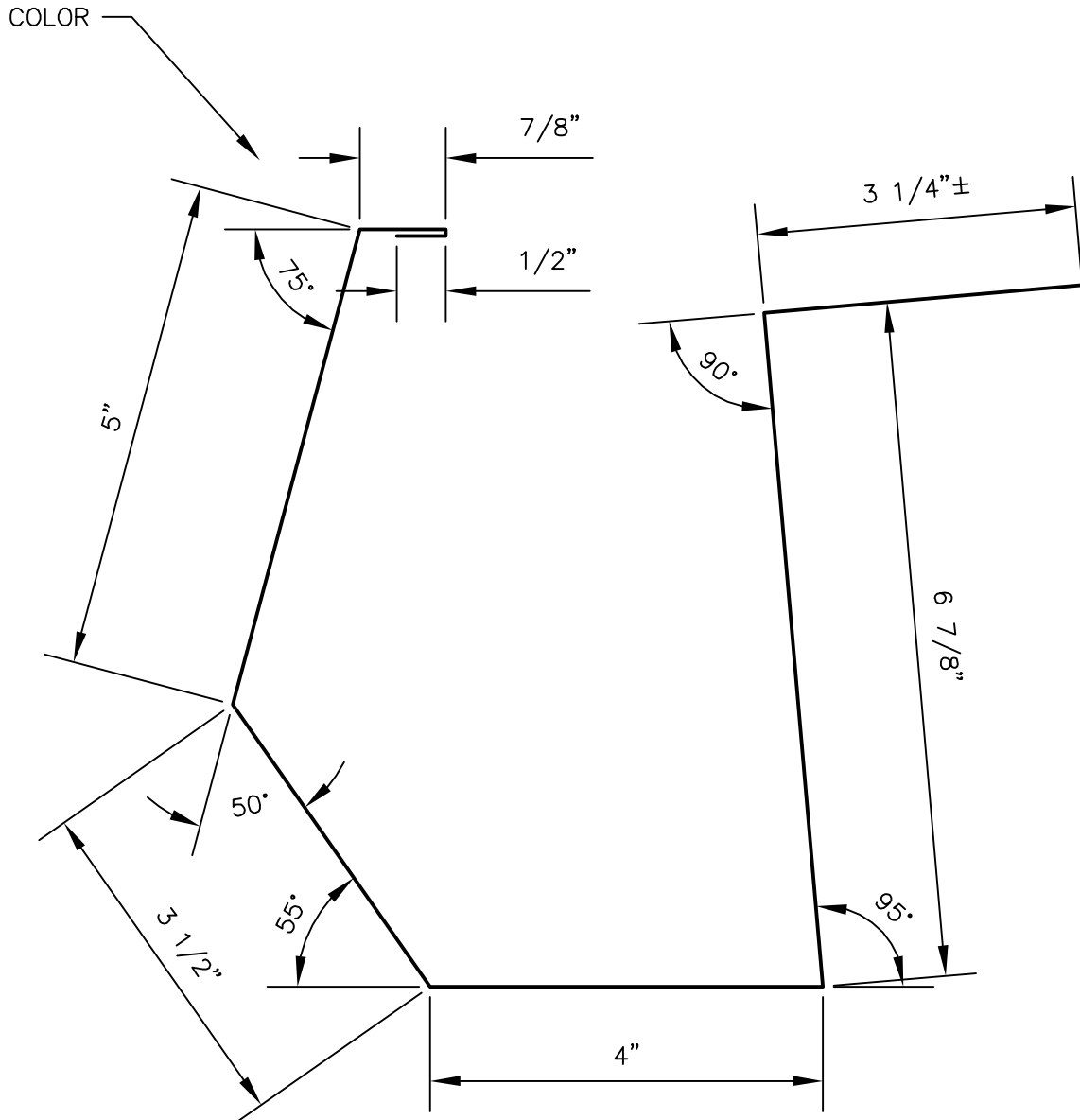


GUTTER STRAP

PANEL PROFILES	GAUGE
U-PANEL	26

7-09-13 rev.  
9-27-11 rev.  
9-09-02

GIRTH: 3"  
BENDS: AS SPECIFIED

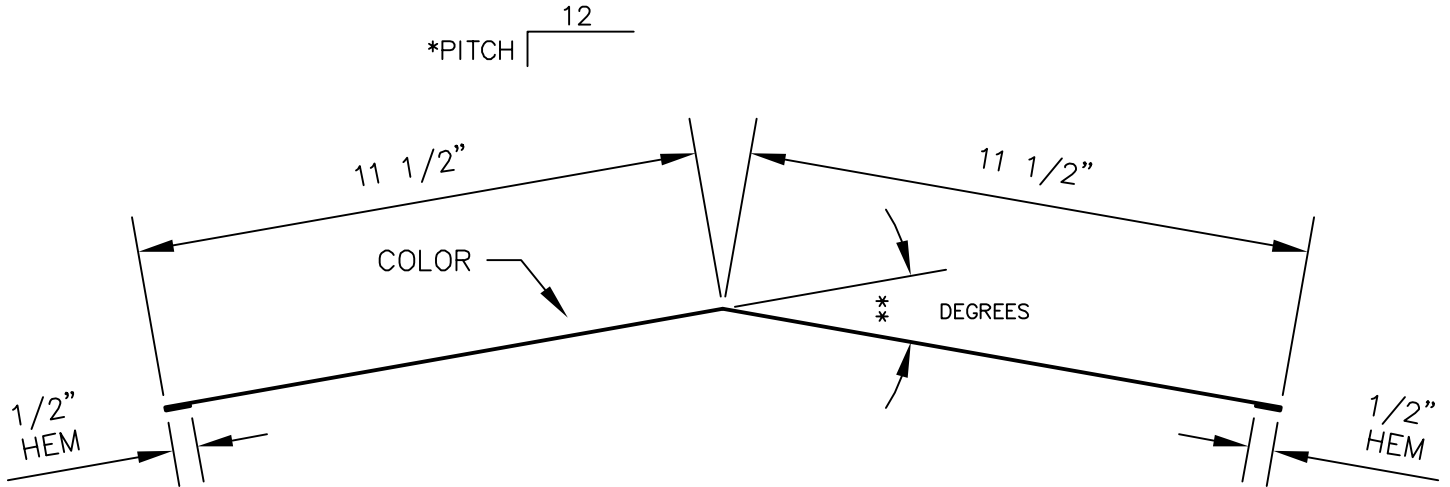


SCULPTURED GUTTER

PANEL PROFILES	GAUGE
U-PANEL	26

7-09-13 rev.  
 9-27-11 rev.  
 9-9-02

GIRTH: 24"  
 BENDS: 90° UNLESS SPECIFIED



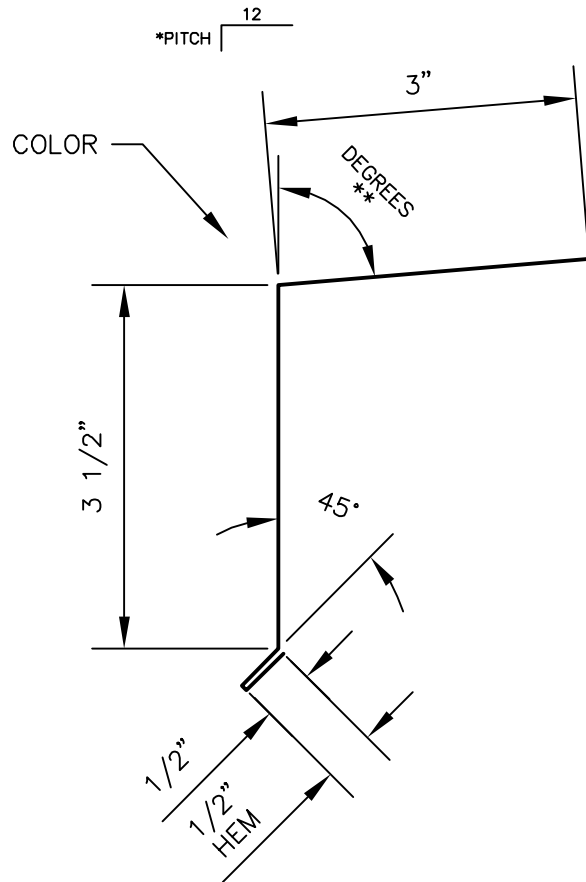
*PITCH	**DEGREES
1: 12	10°
2: 12	19°
3: 12	28°
4: 12	37°
5: 12	45°
6: 12	53°

## RIDGE CAP

PANEL PROFILES	GAUGE
U-PANEL	26
MIRAGE	26
MIRAGE II	26
MULTI-RIB	26
R-PANEL	26
MEGA-RIB	26
MULTI-COR	26
M-COR	26
MASTERLOK-90	24
MASTERLOK-FS	24
MAXIMA 1.5"	24
MAXIMA 2"	24
MAXIMA 3"	24
MAXIMA ADV	24

7-09-13 rev.  
 7-19-11 rev.  
 9-09-02

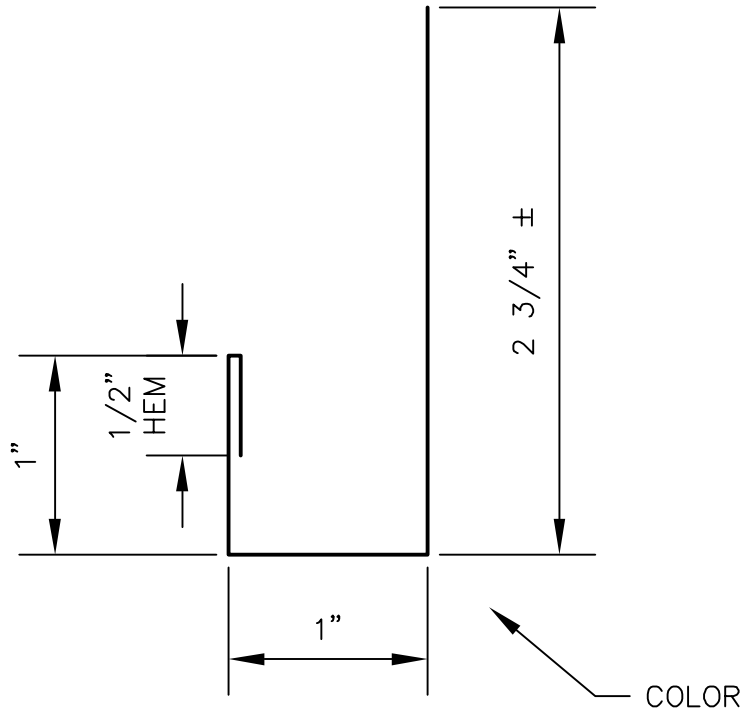
GIRTH: 24"  
 BENDS: 90° UNLESS SPECIFIED



*PITCH	**DEGREES
0:12	90°
1:12	85°
2:12	81°
3:12	76°
4:12	72°
5:12	67°
6:12	63°
7:12	60°
8:12	56°
9:12	53°
10:12	50°
11:12	47°
12:12	45°

## EAVE TRIM

PANEL PROFILES	GAUGE
U-PANEL	26
MULTI-RIB	26
R-PANEL	26
MULTI-COR	26
M-COR	26
MAX-RIB	26
MESA	26



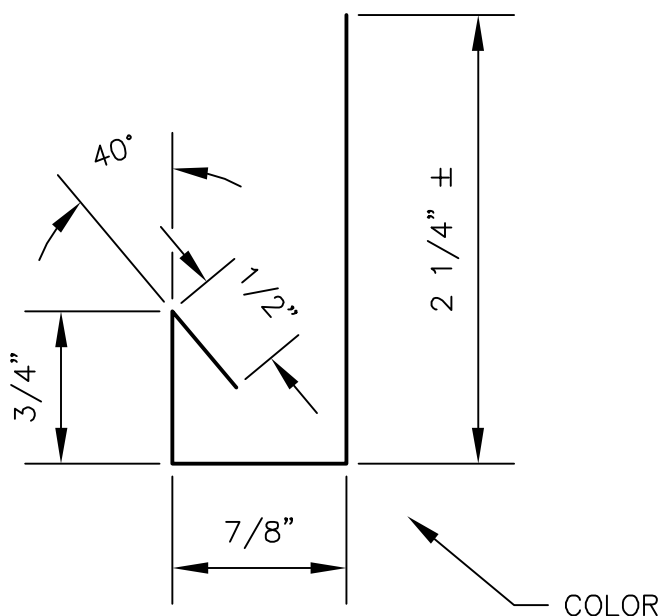
## HEAD TRIM

PANEL PROFILES	GAUGE
U-PANEL	26
MULTI-COR	26
M-COR	26
MAX-RIB	26
MESA	26

7-09-13 rev.  
 11-02-11 rev.  
 4-16-03 rev.  
 9-09-02

GIRTH: 5 1/4"  
 BENDS: 90° AND AS SPECIFIED



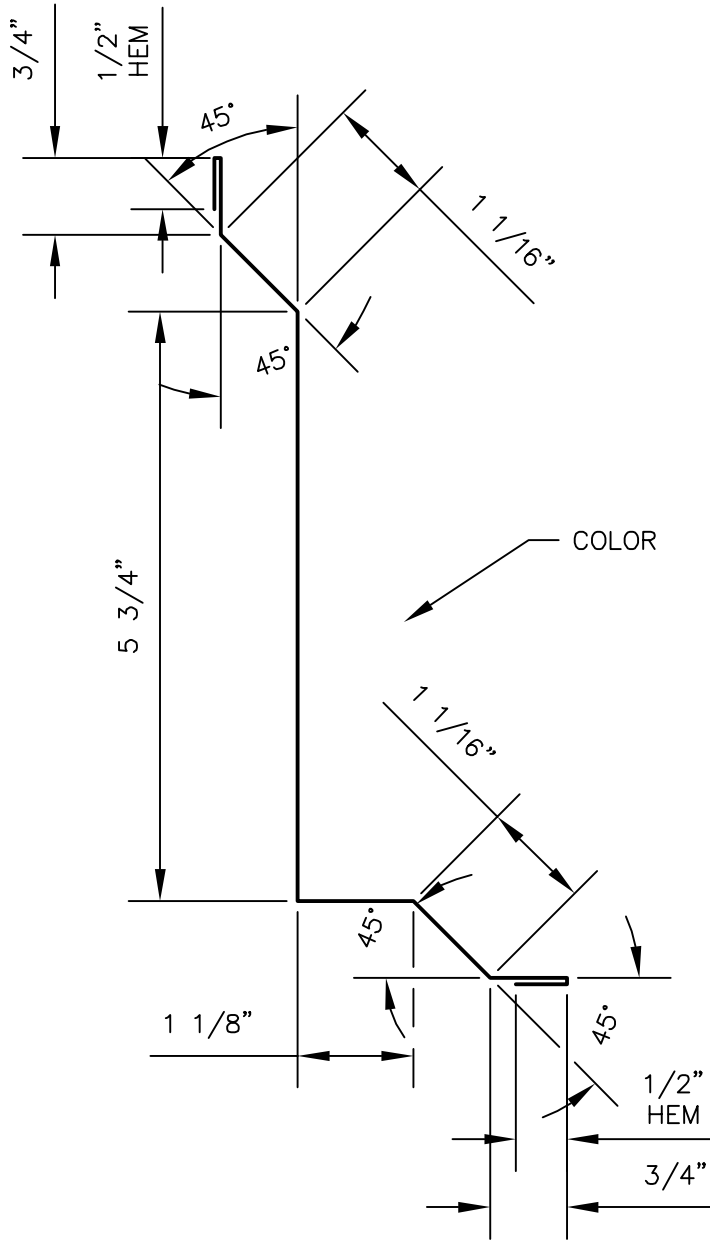


JAMB TRIM

PANEL PROFILES	GAUGE
U-PANEL	26
MULTI-COR	26
M-COR	26
MAX-RIB	26
MESA	26

7-09-13 rev.  
11-02-11 rev.  
4-14-03 rev.  
9-09-02

GIRTH:  $4\ 3/8"$   
BENDS:  $90^\circ$  AND AS SPECIFIED

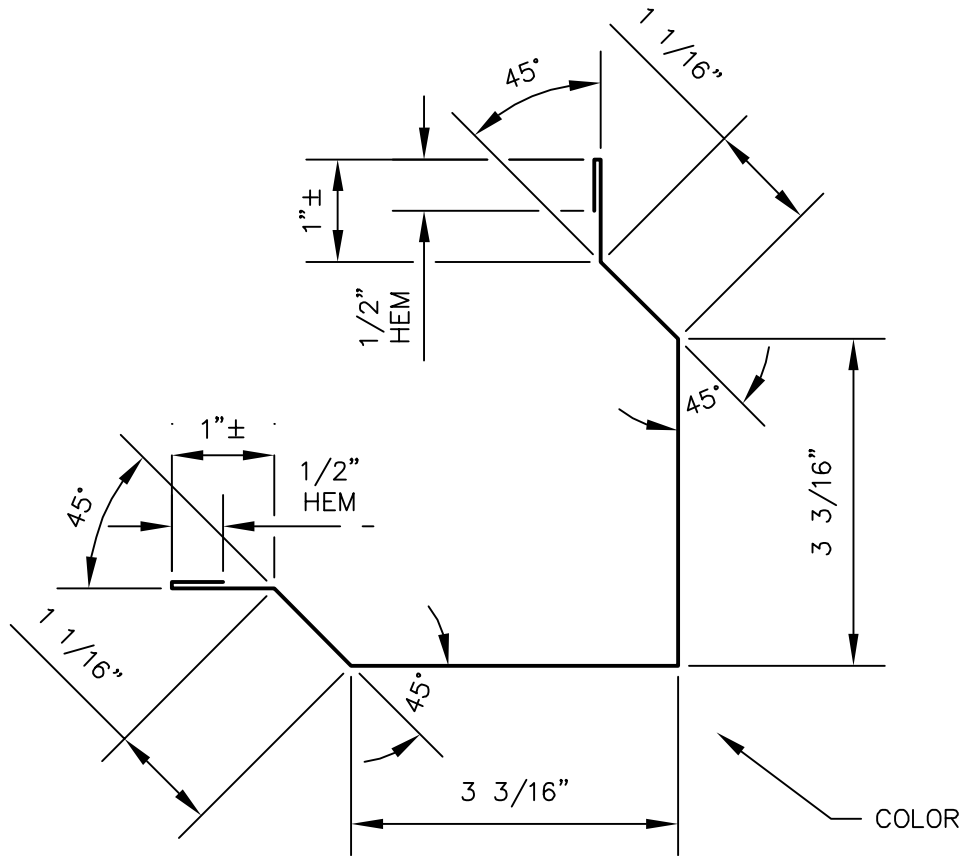


INSIDE CORNER TRIM

PANEL PROFILES	GAUGE
U-PANEL	26

7-09-13 rev.  
 10-13-11 rev.  
 4-16-03 rev.  
 9-09-02

GIRTH: 11 1/2"  
 BENDS: 90° AND AS SPECIFIED

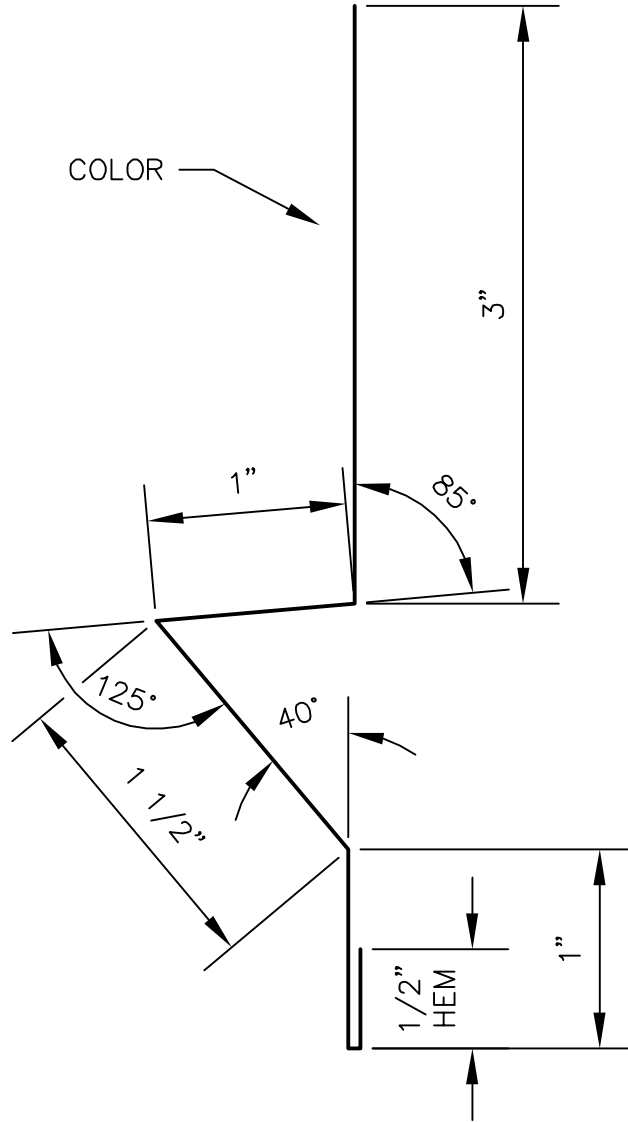


OUTSIDE CORNER TRIM

PANEL PROFILES	GAUGE
U-PANEL	26

7-09-13 rev.  
 10-13-11 rev.  
 5-27-03 rev,  
 4-16-03 rev.  
 9-09-02

GIRTH:  $11 \frac{1}{2}$ "  
 BENDS:  $90^\circ$  AND AS SPECIFIED



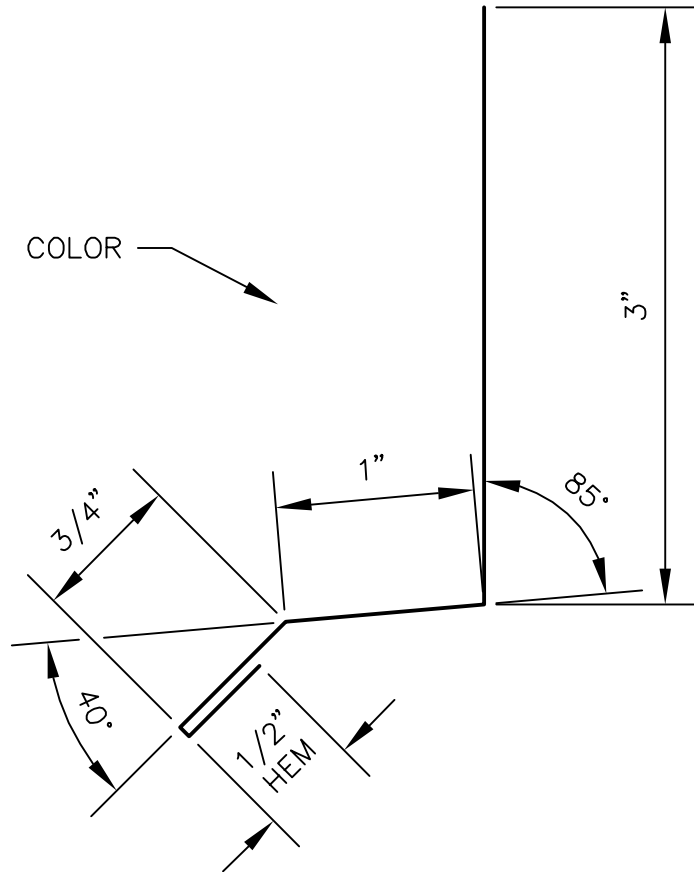
COLOR →

PANEL PROFILES	GAUGE
U-PANEL	26
MULTI-COR	26
M-COR	26

BASE TRIM

7-09-13 rev.  
 11-02-11 rev.  
 5-09-06 rev.  
 4-15-03 rev.  
 9-09-02

GIRTH: 7"  
 BENDS: 90° AND AS SPECIFIED



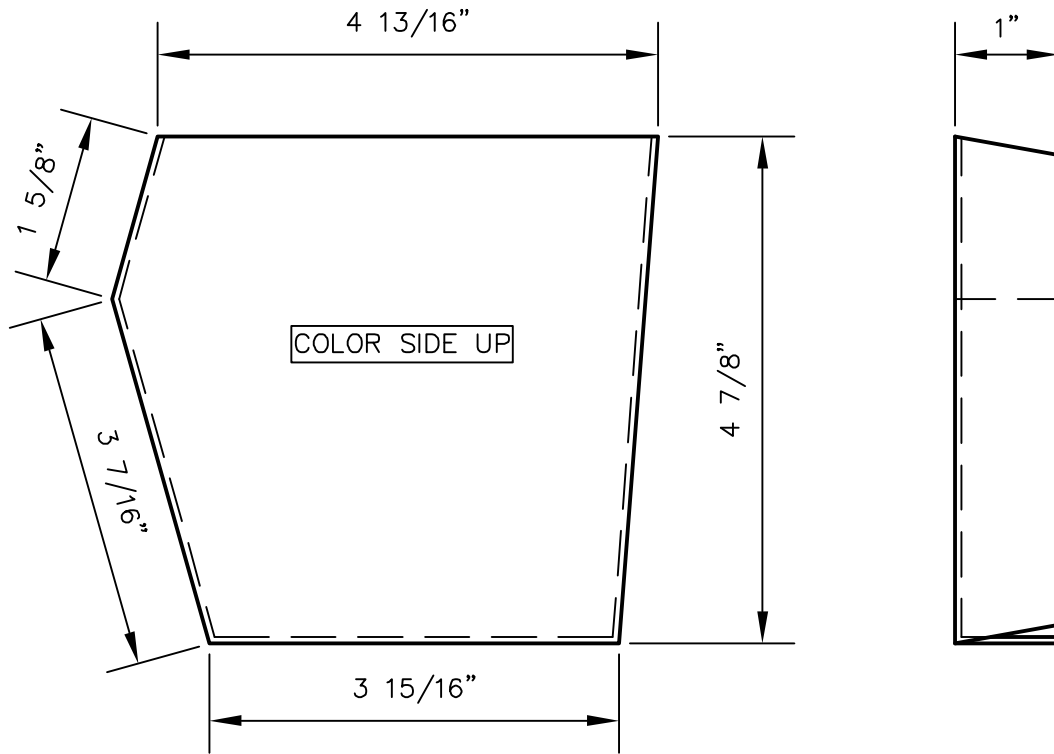
## SIMPLE BASE TRIM

PANEL PROFILES	GAUGE
U-PANEL	26
MULTI-COR	26
M-COR	26

7-09-13 rev.  
11-02-11 rev.  
5-09-06 rev.  
4-15-03 rev.  
9-09-02

GIRTH: 5 1/4"  
BENDS: 90° AND AS SPECIFIED

101A



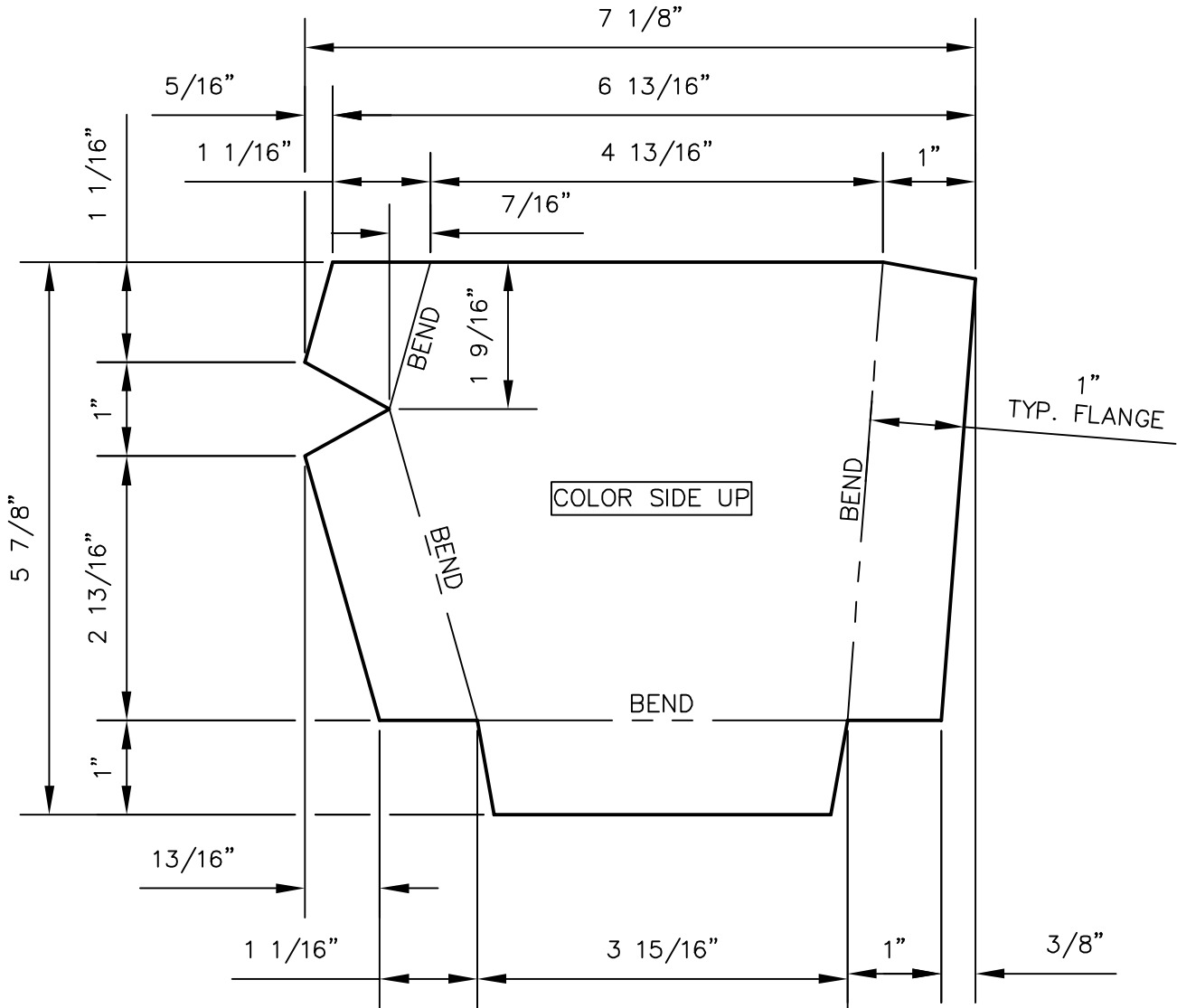
## STANDARD GUTTER END CAP - FINISHED

(R.H. SHOWN - L.H. HAND OPP.)

PANEL PROFILES	GAUGE
U-PANEL	26

7-09-13 rev.  
9-27-11 rev.  
9-9-02

GIRTH: SEE PATTERN UTW-0121  
BENDS: SEE PATTERN UTW-0121



## STANDARD GUTTER END CAP - PATTERN

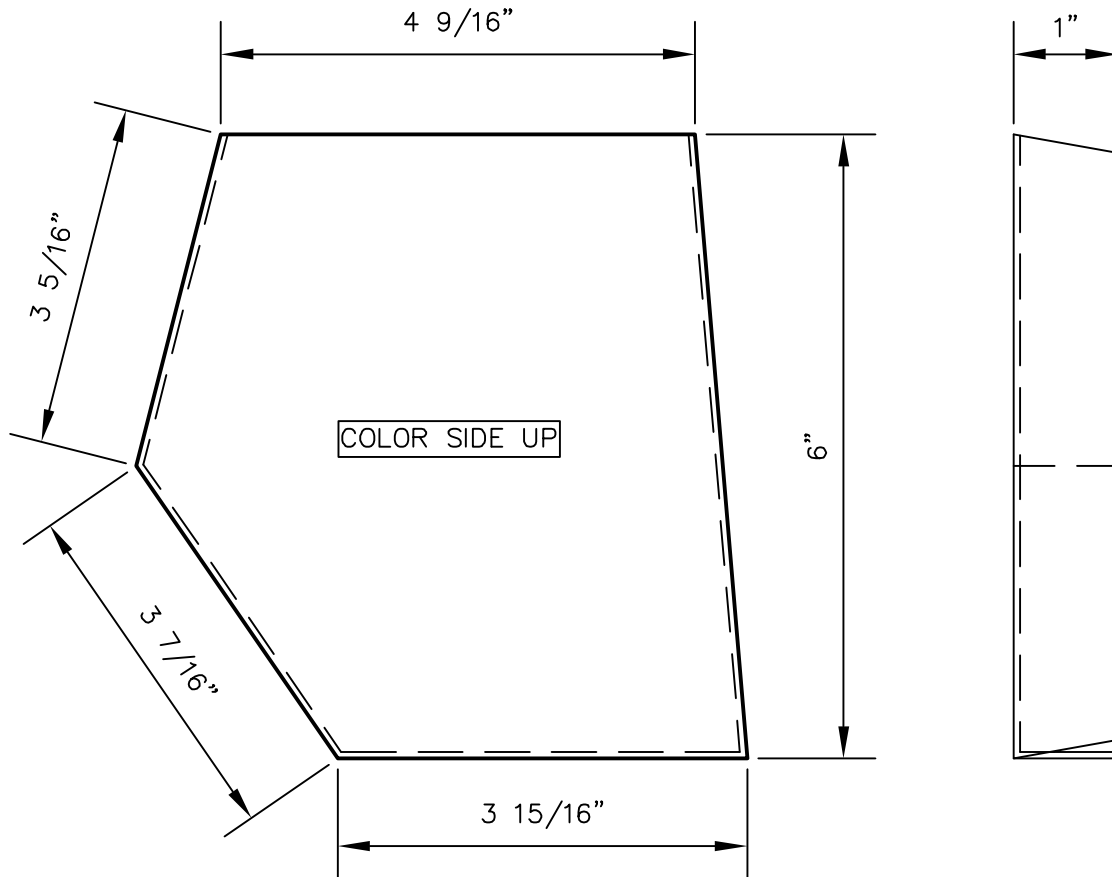
(R.H. SHOWN - L.H. HAND OPP.)

PANEL PROFILES	GAUGE
U-PANEL	26

7-09-13 rev.  
 9-27-11 rev.  
 9-9-02

GIRTH:  $5 \frac{7}{8}$ " X  $7 \frac{1}{8}$ "  
 BENDS: DOWN 90°

103A



## SCULPTURED GUTTER END CAP - FINISHED

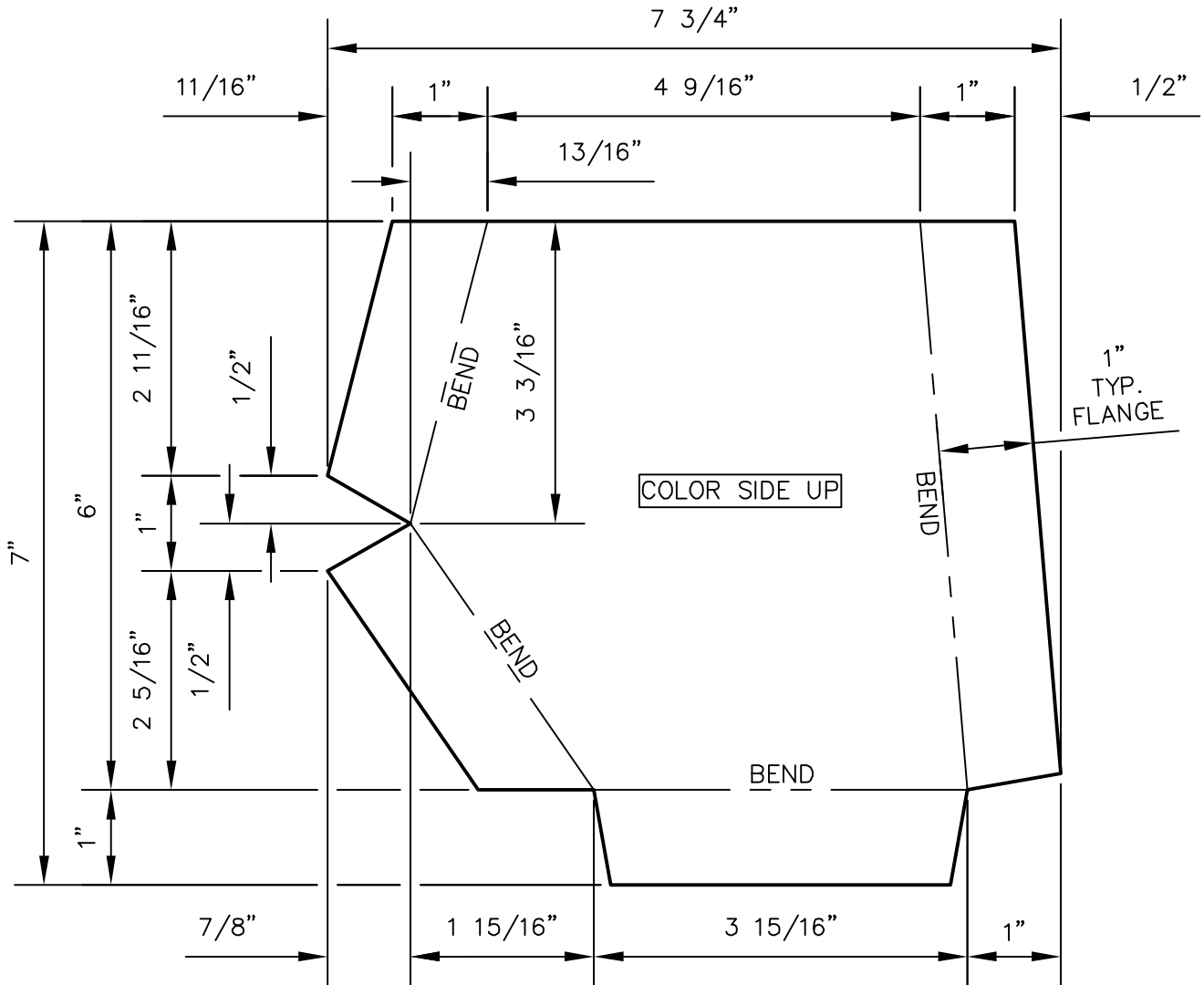
(R.H. SHOWN - L.H. HAND OPP.)

PANEL PROFILES	GAUGE
U-PANEL	26

8-22-13 rev.  
9-27-11 rev.  
9-9-02

GIRTH: SEE PATTERN UTW-0123  
BENDS: SEE PATTERN UTW-0123





## SCULPTURED GUTTER END CAP - PATTERN

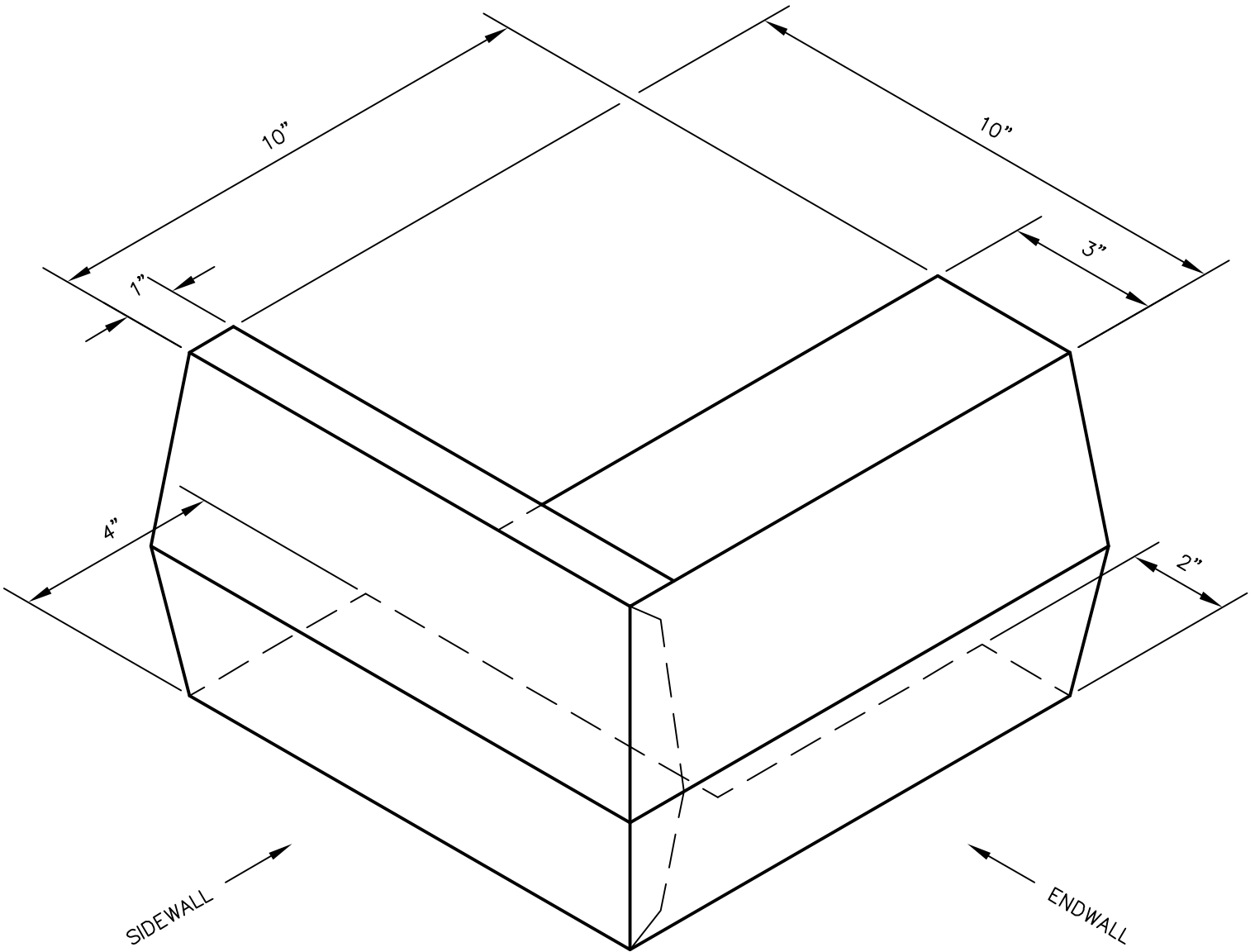
(R.H. SHOWN - L.H. HAND OPP.)

PANEL PROFILES	GAUGE
U-PANEL	26

8-22-13 rev.  
 9-27-11 rev.  
 9-9-02

GIRTH:  $7$ " X  $7 \frac{3}{4}$ "  
 BENDS: DOWN  $90^\circ$

172A



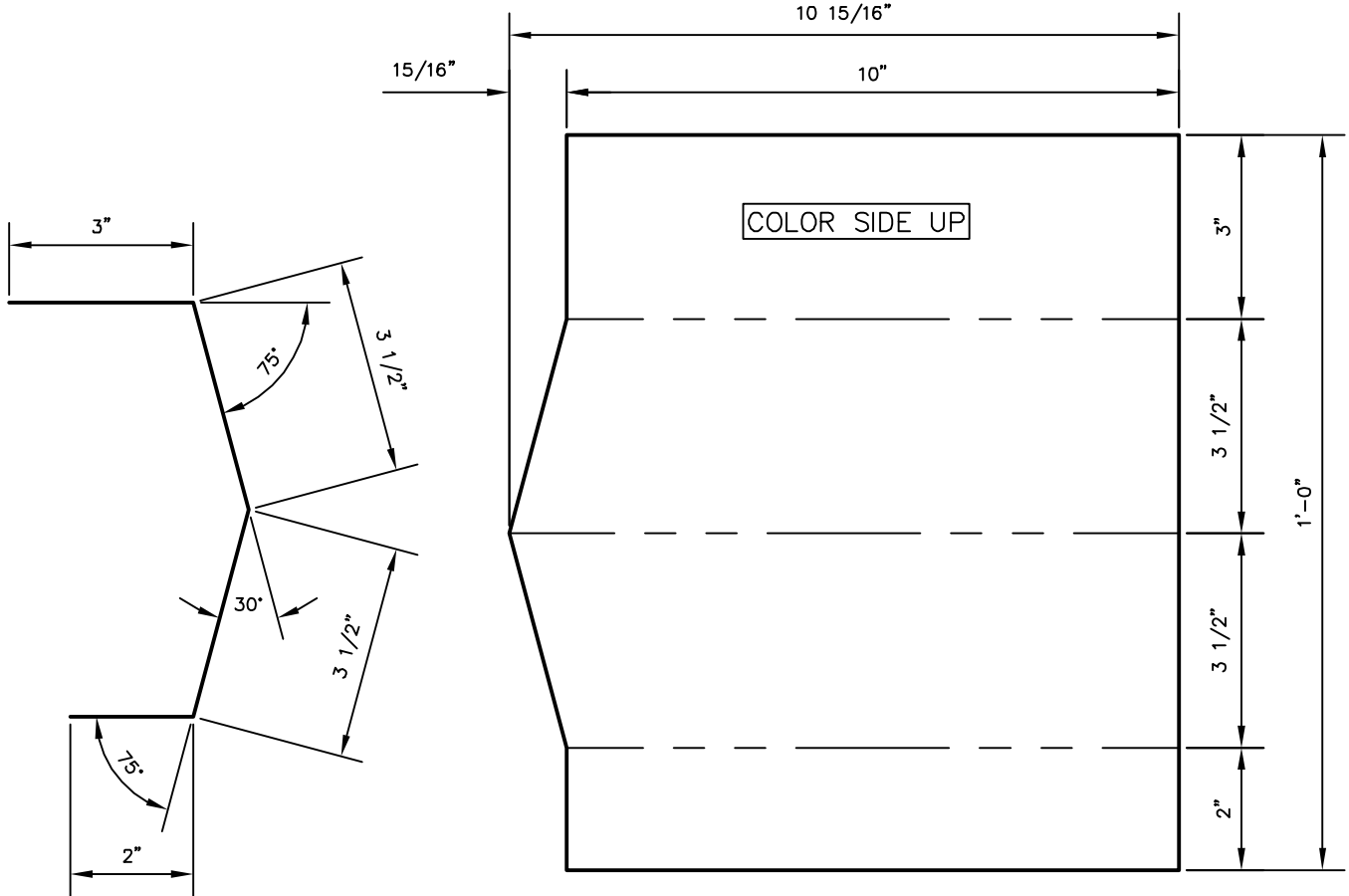
## OUTSIDE CORNER BOX - FINISHED

(RIGHT HAND SHOWN)  
(LEFT HAND OPP.)  
(1/2:12 - 2:12 PITCHES)

PANEL PROFILES	GAUGE
U-PANEL	26
MULTI-RIB	26
R-PANEL	26
MIRAGE	24 or 26
MIRAGE II	24 or 26

8-26-13 rev.  
8-24-11 rev.  
9-09-02

GIRTH: SEE PATTERN UTW-0125 & UTW-0126  
BENDS: SEE PATTERN UTW-0125 & UTW-0126



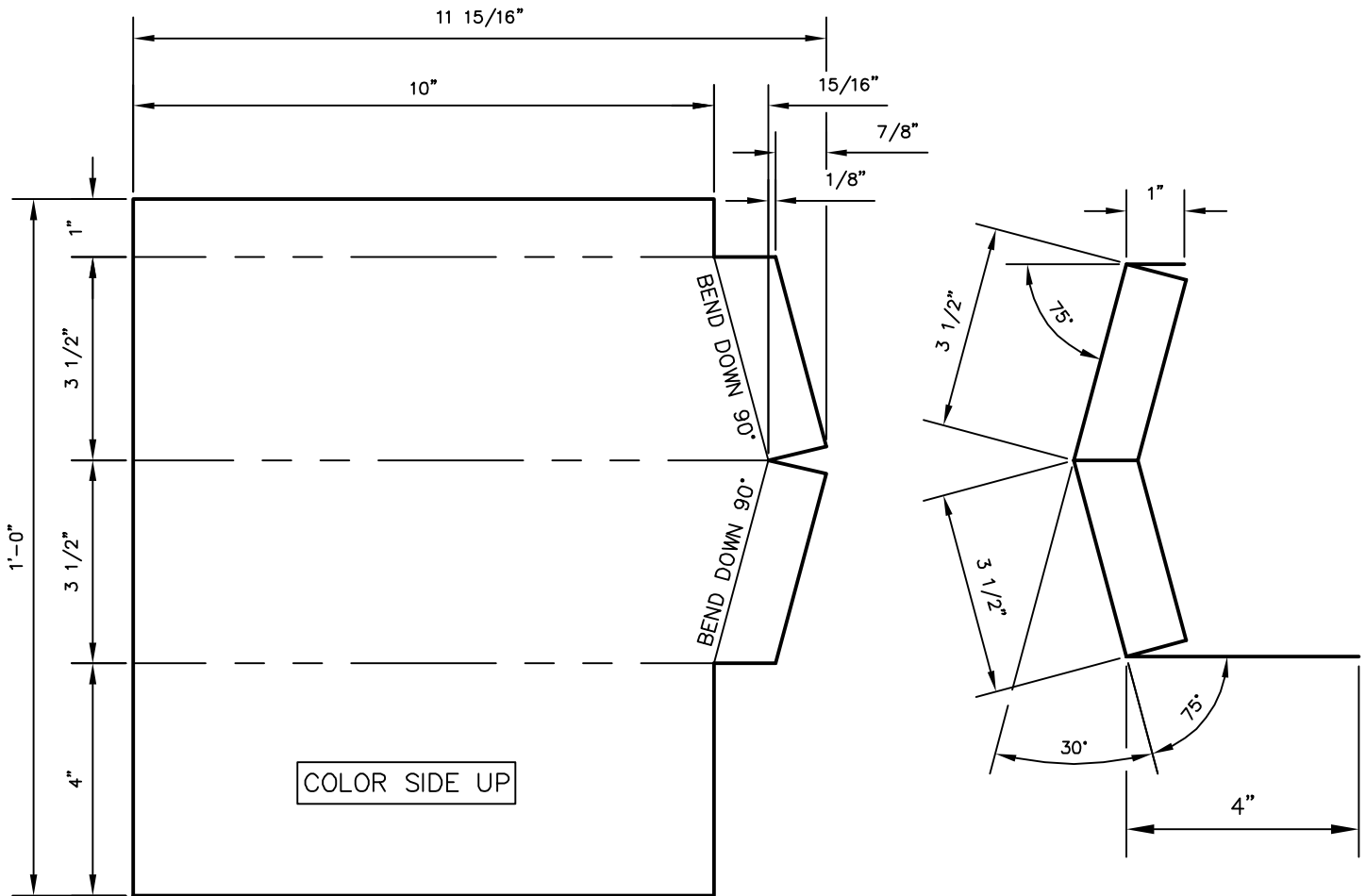
## OUTSIDE CORNER BOX - PATTERN (ENDWALL)

(ASSEMBLE 1 R.H. & 1 L.H.)  
 (RIGHT HAND SHOWN - LEFT HAND OPP.)

PANEL PROFILES	GAUGE
U-PANEL	26
MULTI-RIB	26
R-PANEL	26
MIRAGE	24 or 26
MIRAGE II	24 or 26

8-27-14 rev.  
 8-26-13 rev.  
 8-24-11 rev.  
 9-10-02

GIRTH: 10 15/16" X 1'-0"  
 BENDS: AS SPECIFIED



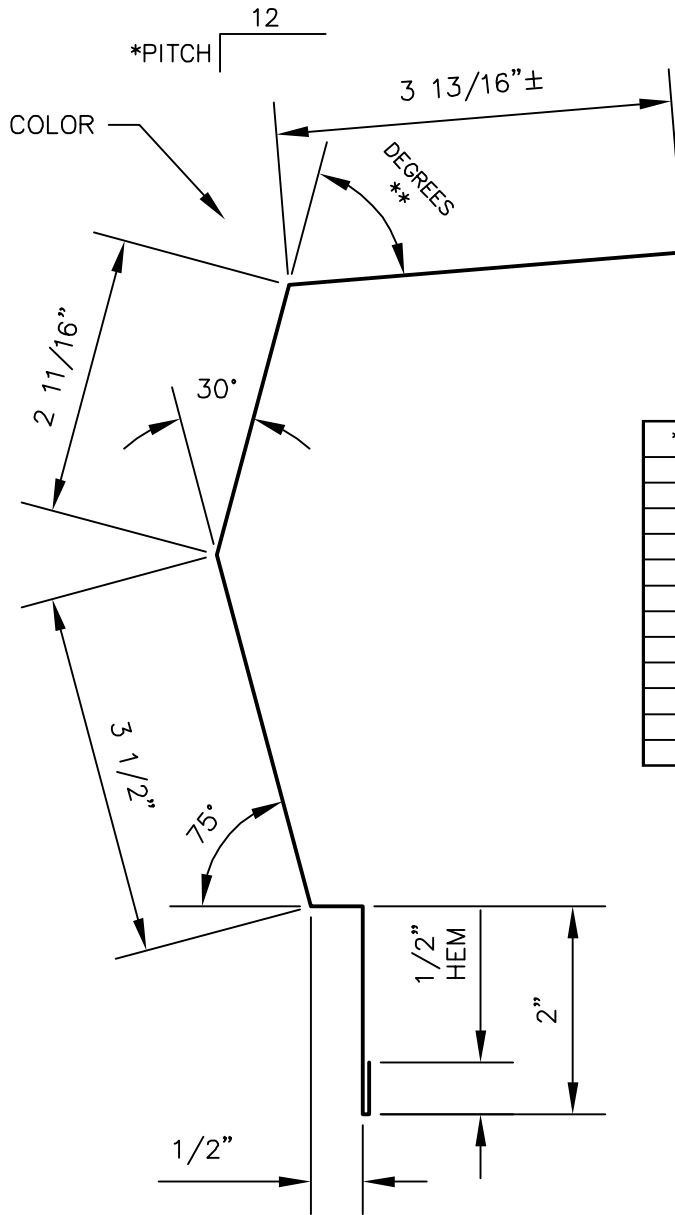
## OUTSIDE CORNER BOX - PATTERN (SIDEWALL)

(ASSEMBLE 1 R.H. & 1 L.H.)  
 (RIGHT HAND SHOWN - LEFT HAND OPP.)

PANEL PROFILES	GAUGE
U-PANEL	26
MULTI-RIB	26
R-PANEL	26
MIRAGE	24 or 26
MIRAGE II	24 or 26

8-27-14 rev.  
 8-26-13 rev.  
 8-24-11 rev.  
 9-10-02

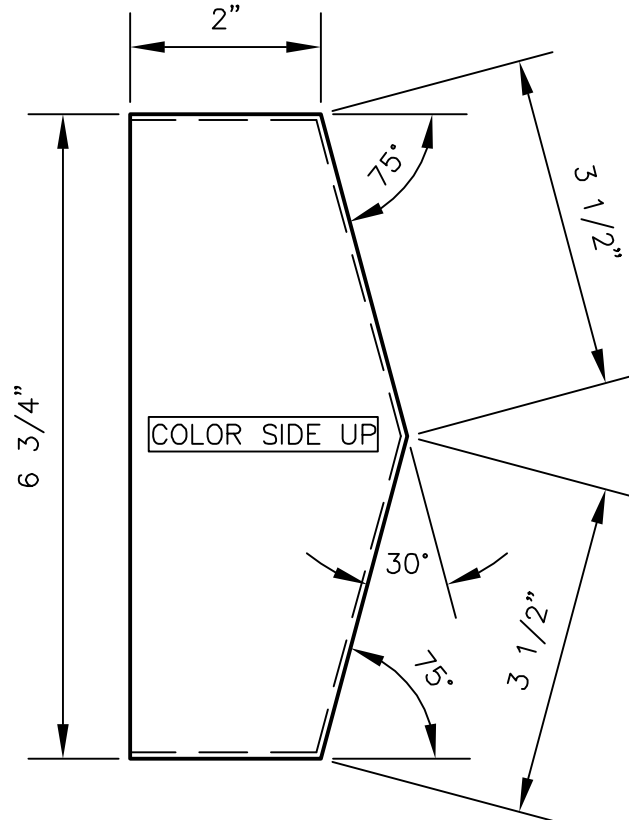
GIRTH: 1'-0" X 11 15/16"  
 BENDS: AS SPECIFIED



*PITCH	**DEGREES
1:12	70°
2:12	66°
3:12	61°
4:12	57°
5:12	52°
6:12	48°
7:12	45°
8:12	41°
9:12	38°
10:12	35°
11:12	32°
12:12	30°

### SCULPTURED EAVE TRIM

PANEL PROFILES	GAUGE
U-PANEL	26

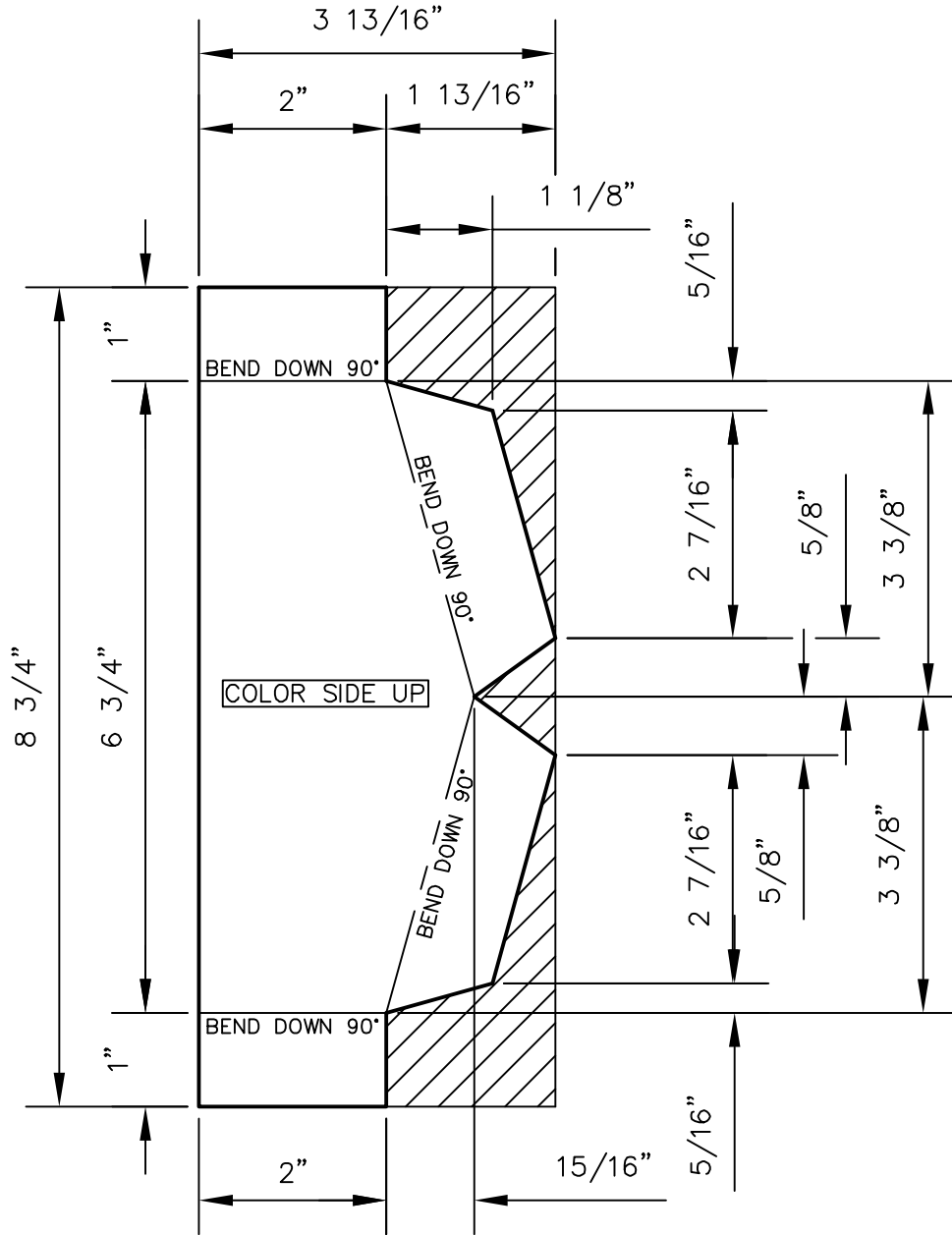


## RAKE CLOSURE - FINISHED

PANEL PROFILES	GAUGE
U-PANEL	26
MULTI-RIB	26
R-PANEL	26
MIRAGE I	24 or 26
MIRAGE II	24 or 26

8-26-13 rev.  
8-24-11 rev.  
9-10-02

GIRTH: SEE PATTERN: UTW-0129  
BENDS: SEE PATTERN: UTW-0129



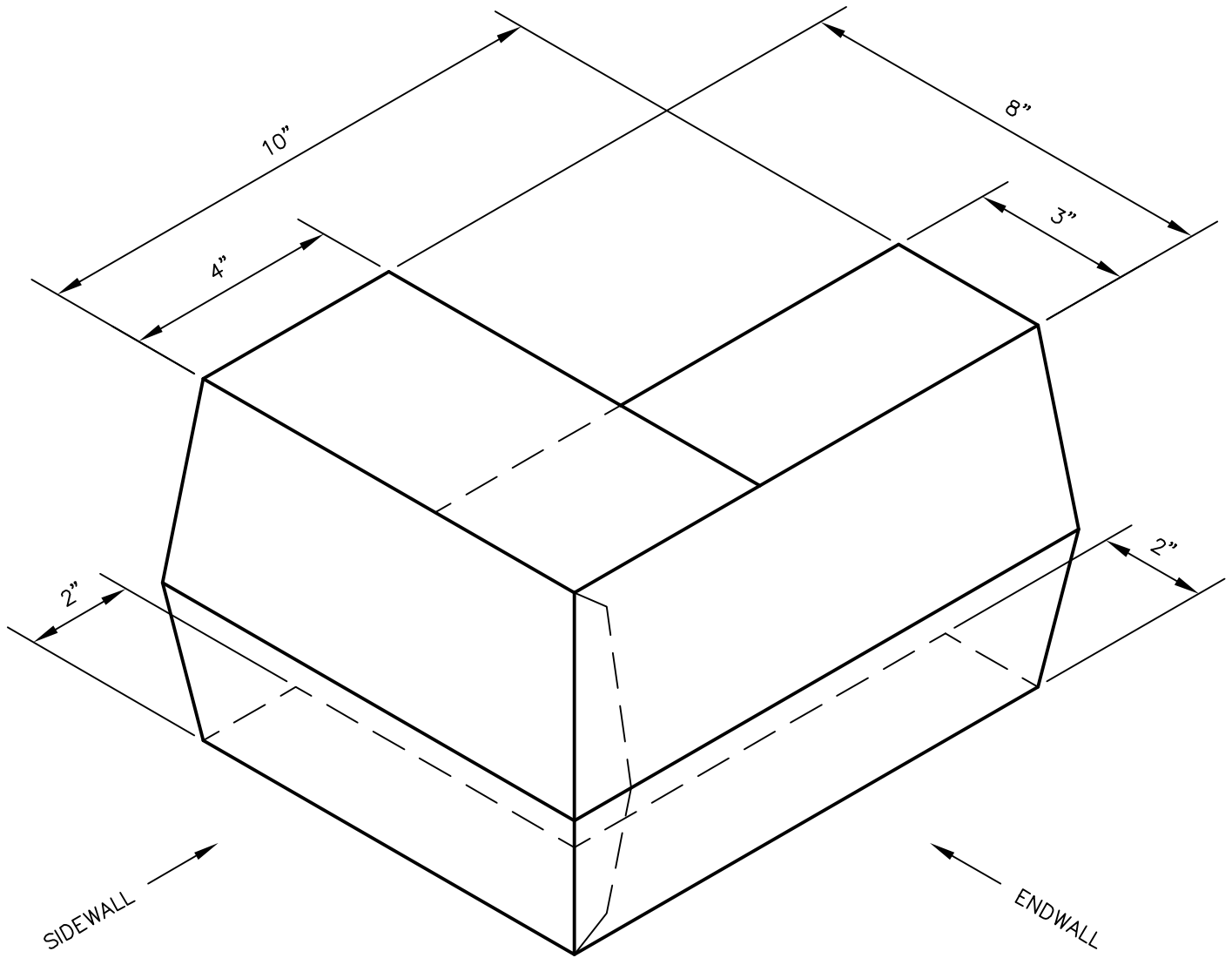
PANEL PROFILES	GAUGE
U-PANEL	26
MULTI-RIB	26
R-PANEL	26
MIRAGE I	24 or 26
MIRAGE II	24 or 26

## RAKE CLOSURE - PATTERN

8-22-13 rev.  
8-24-11 rev.  
9-10-02

GIRTH: 3 3/16" X 8 3/4"  
BENDS: AS SPECIFIED

175A



## HIGH-SIDE CORNER BOX - FINISHED

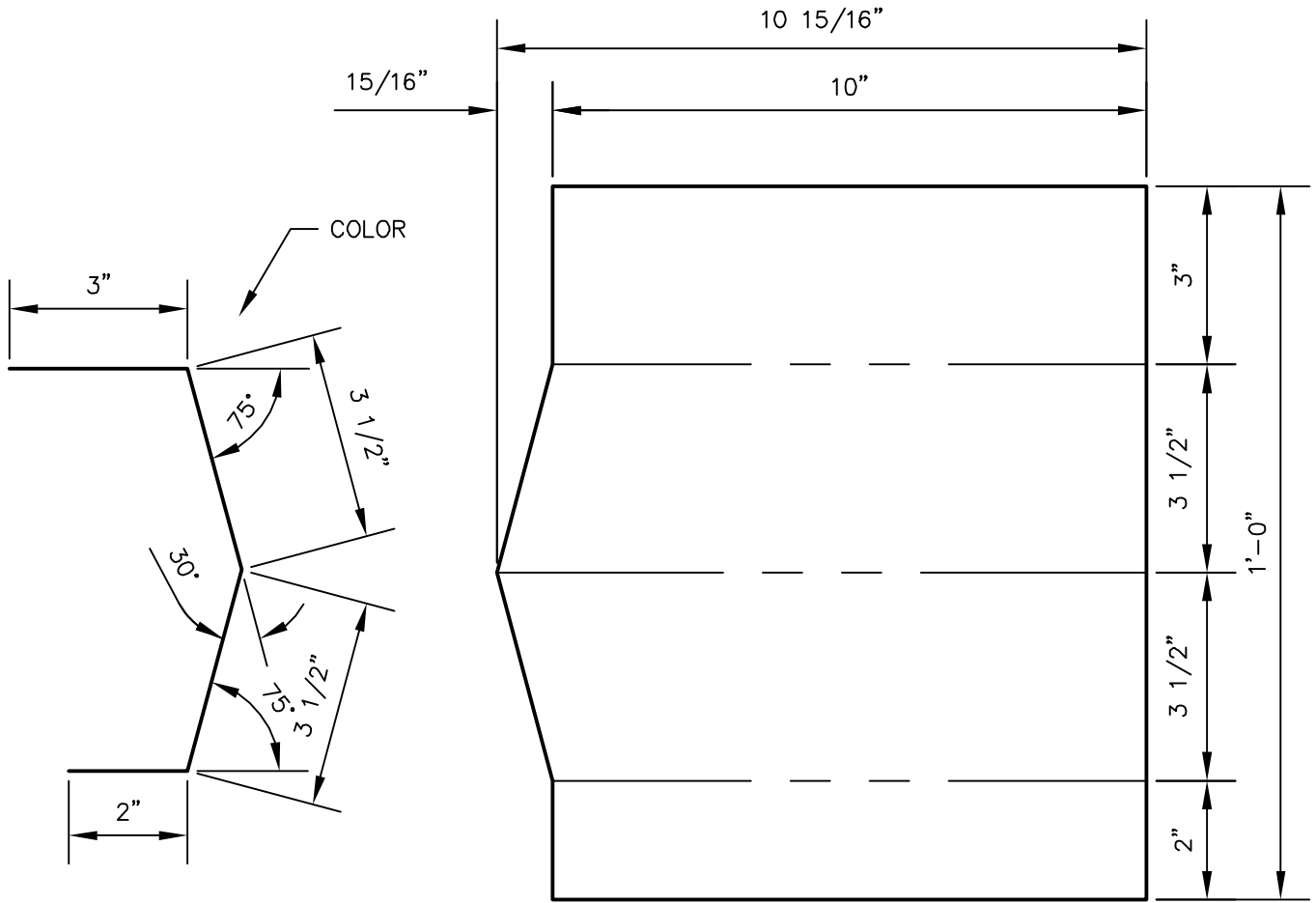
(RIGHT HAND SHOWN)  
(LEFT HAND OPP.)

PANEL PROFILES	GAUGE
U-PANEL	26
MULTI-RIB	26
R-PANEL	26
MIRAGE	24 or 26
MIRAGE II	24 or 26

8-26-13 rev.  
8-24-11 rev.  
9-10-02

GIRTH: SEE PATTERN UTW-0131 & UTW-0132  
BENDS: SEE PATTERN UTW-0131 & UTW-0132





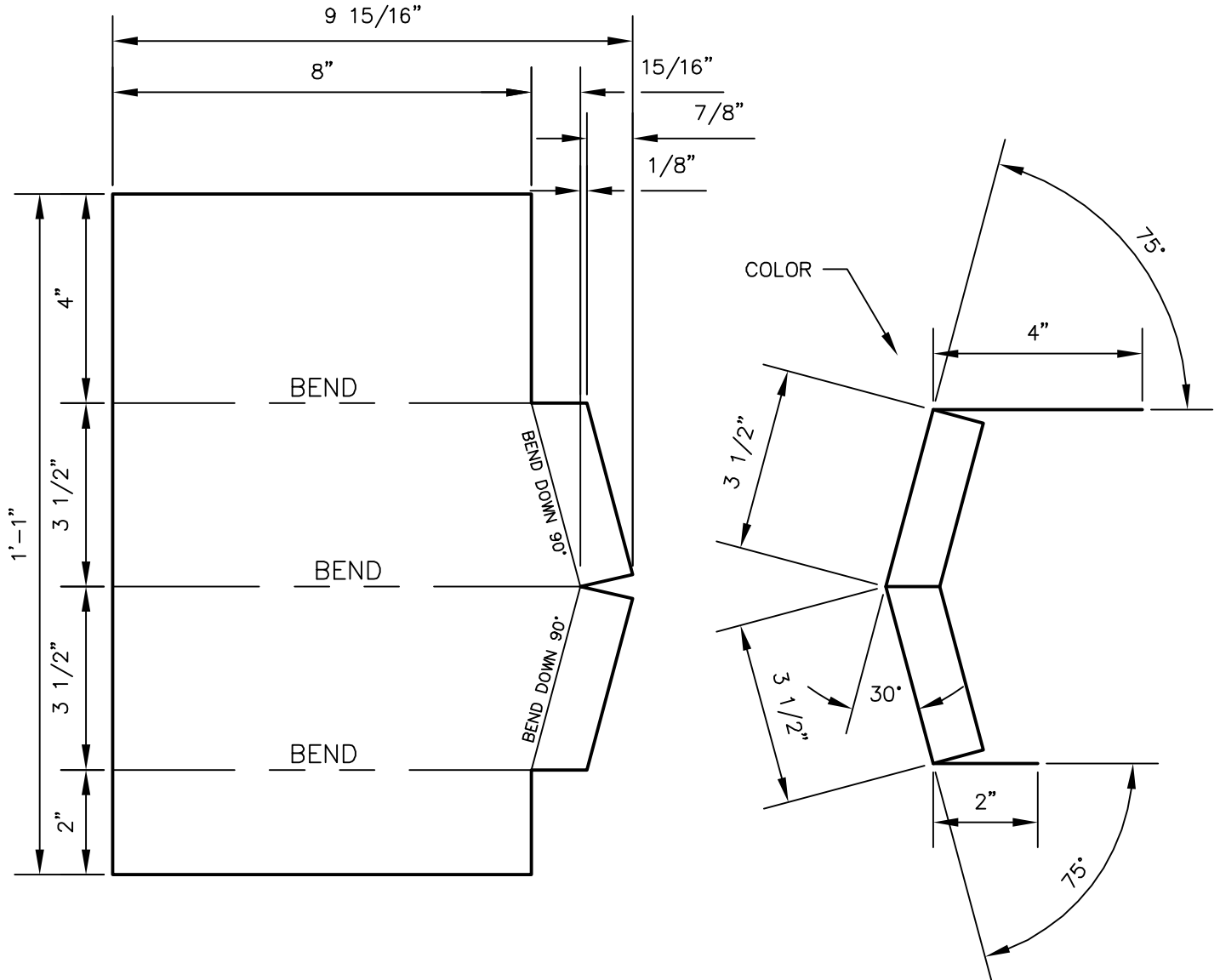
## HIGH-SIDE CORNER BOX - PATTERN (ENDWALL)

(ASSEMBLE 1 R.H. & 1 L.H.)  
 (RIGHT HAND SHOWN - LEFT HAND OPPTS.)

PANEL PROFILES	GAUGE
MIRAGE	24 or 26
MIRAGE II	24 or 26
U-PANEL	26
MULTI-RIB	26
R-PANEL	26

8-26-13 rev.  
 8-24-11 rev.  
 9-10-02

GIRTH: 10 15/16" X 1'-0"  
 BENDS: AS SPECIFIED



## HIGH-SIDE CORNER BOX - PATTERN (SIDEWALL)

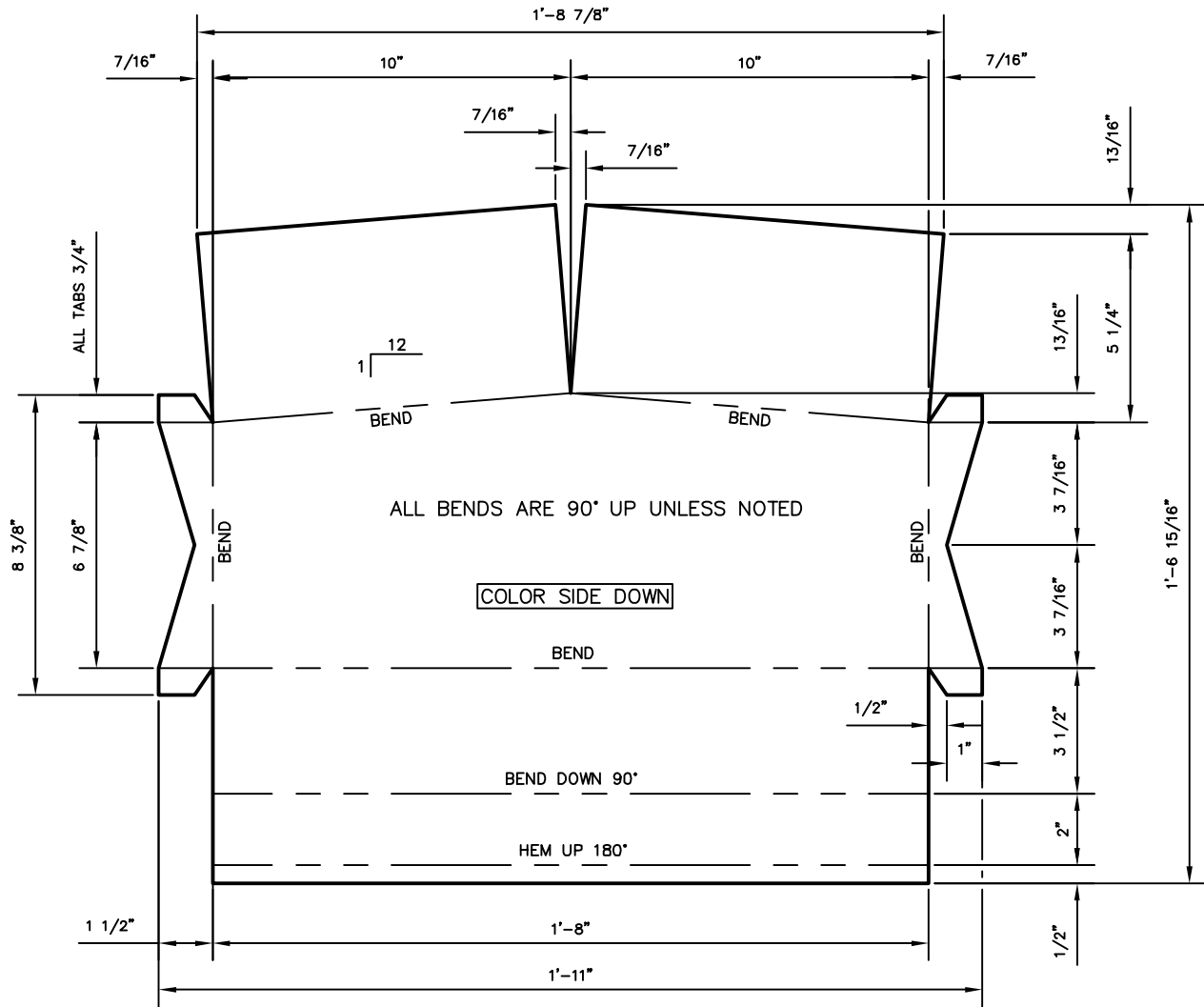
(ASSEMBLE 1 R.H. & 1 L.H.)

(RIGHT HAND SHOWN - LEFT HAND OPPTS.)

PANEL PROFILES	GAUGE
MIRAGE	24 or 26
MIRAGE II	24 or 26
U-PANEL	26
MULTI-RIB	26
R-PANEL	26

8-26-13 rev.  
8-24-11 rev.  
9-10-02

GIRTH: 9 15/16" X 1'-1"  
BENDS: AS SPECIFIED



## FIXED PEAK BOX - PATTERN

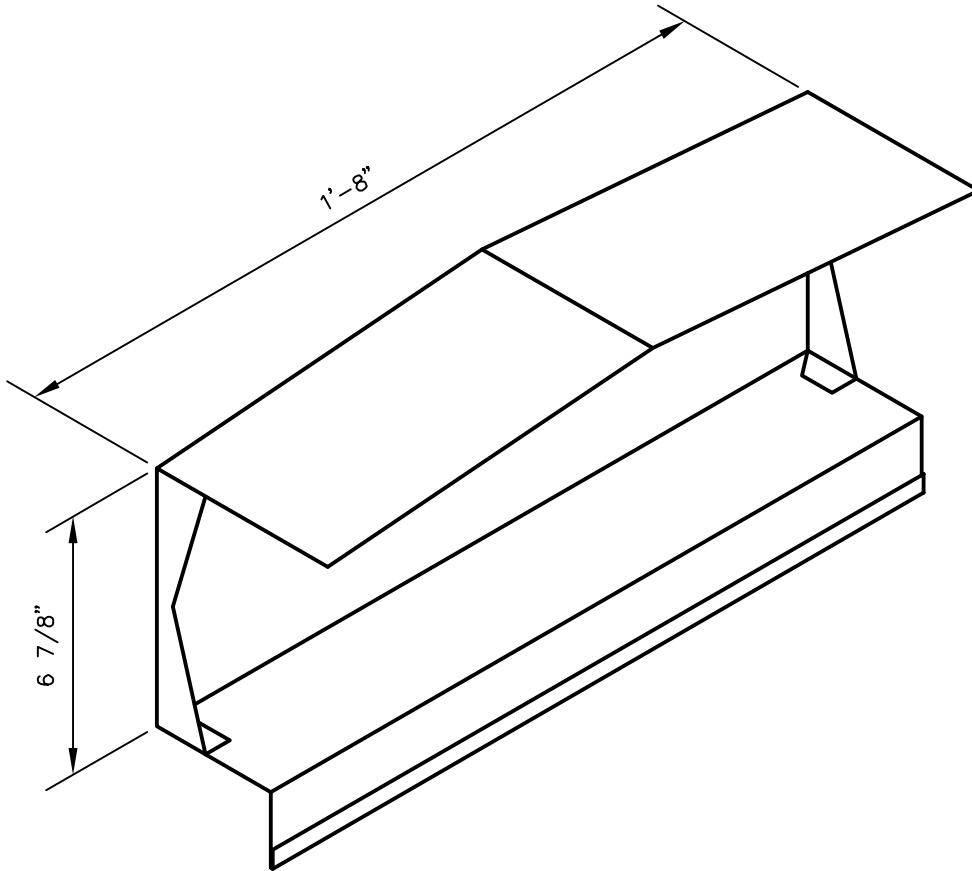
(1:12)

PANEL PROFILES	GAUGE
U-PANEL	26
MULTI-RIB	26
R-PANEL	26
MEGA-RIB	26

9-04-13 rev.  
 7-28-11 rev.  
 2-20-04

GIRTH: 1'-11" X 1'-6 15/16"  
 BENDS: 90° AND AS SPECIFIED

223A



## FIXED PEAK BOX - FINISHED

(1:12)

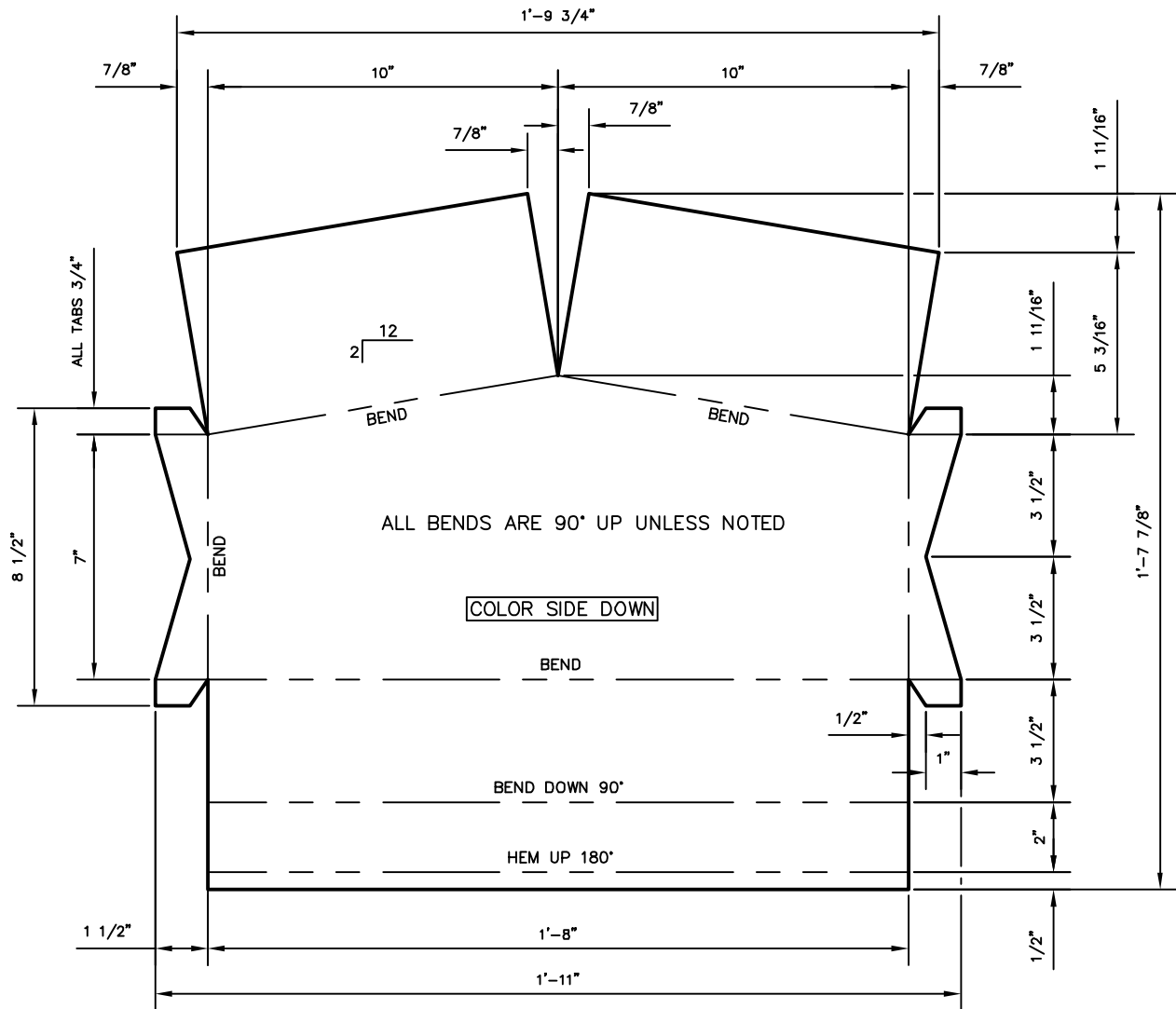
PANEL PROFILES	GAUGE
U-PANEL	26
MULTI-RIB	26
R-PANEL	26
MEGA-RIB	26

9-04-13 rev.

8-24-11 rev.

10-21-02

GIRTH: SEE PATTERN: UTW-0133  
BENDS: SEE PATTERN: UTW-0133



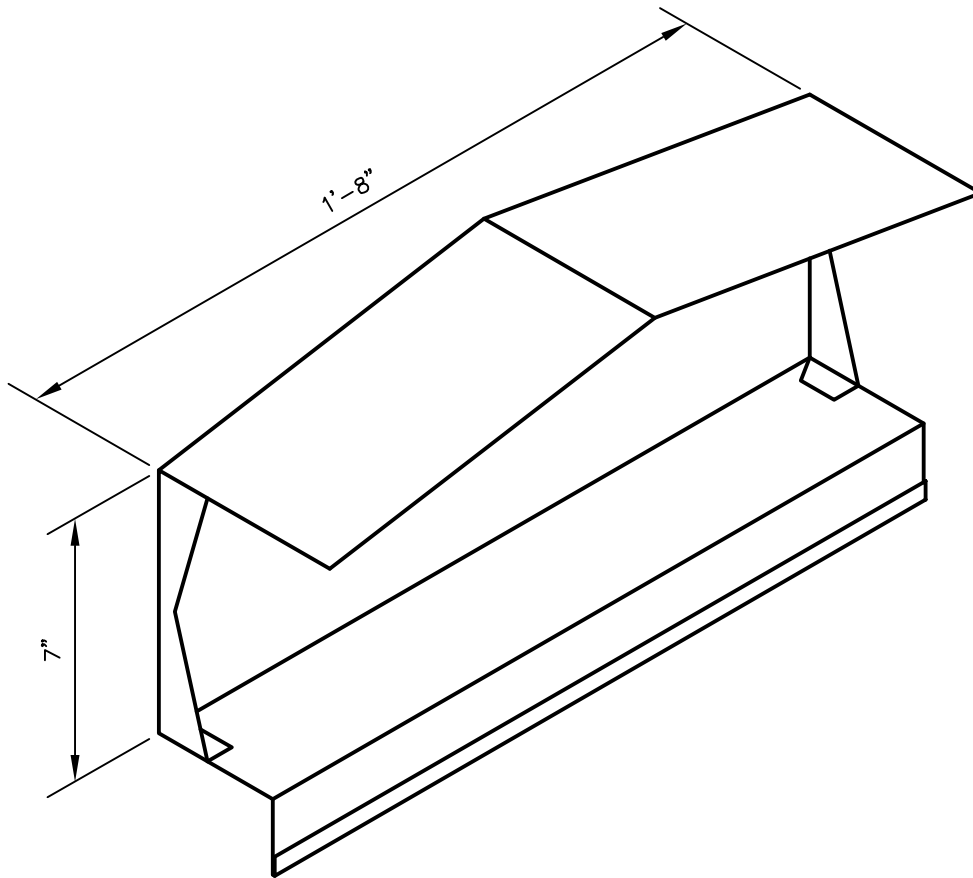
## FIXED PEAK BOX - PATTERN

(2:12)

PANEL PROFILES	GAUGE
U-PANEL	26
MULTI-RIB	26
R-PANEL	26
MEGA-RIB	26

9-04-13 rev.  
 4-24-13 rev.  
 8-16-11 rev.  
 1-23-02

GIRTH: 1'-11" X 1'-7 7/8"  
 BENDS: 90° AND AS SPECIFIED



## FIXED PEAK BOX - FINISHED

(2:12)

PANEL PROFILES	GAUGE
U-PANEL	26
MULTI-RIB	26
R-PANEL	26
MEGA-RIB	26

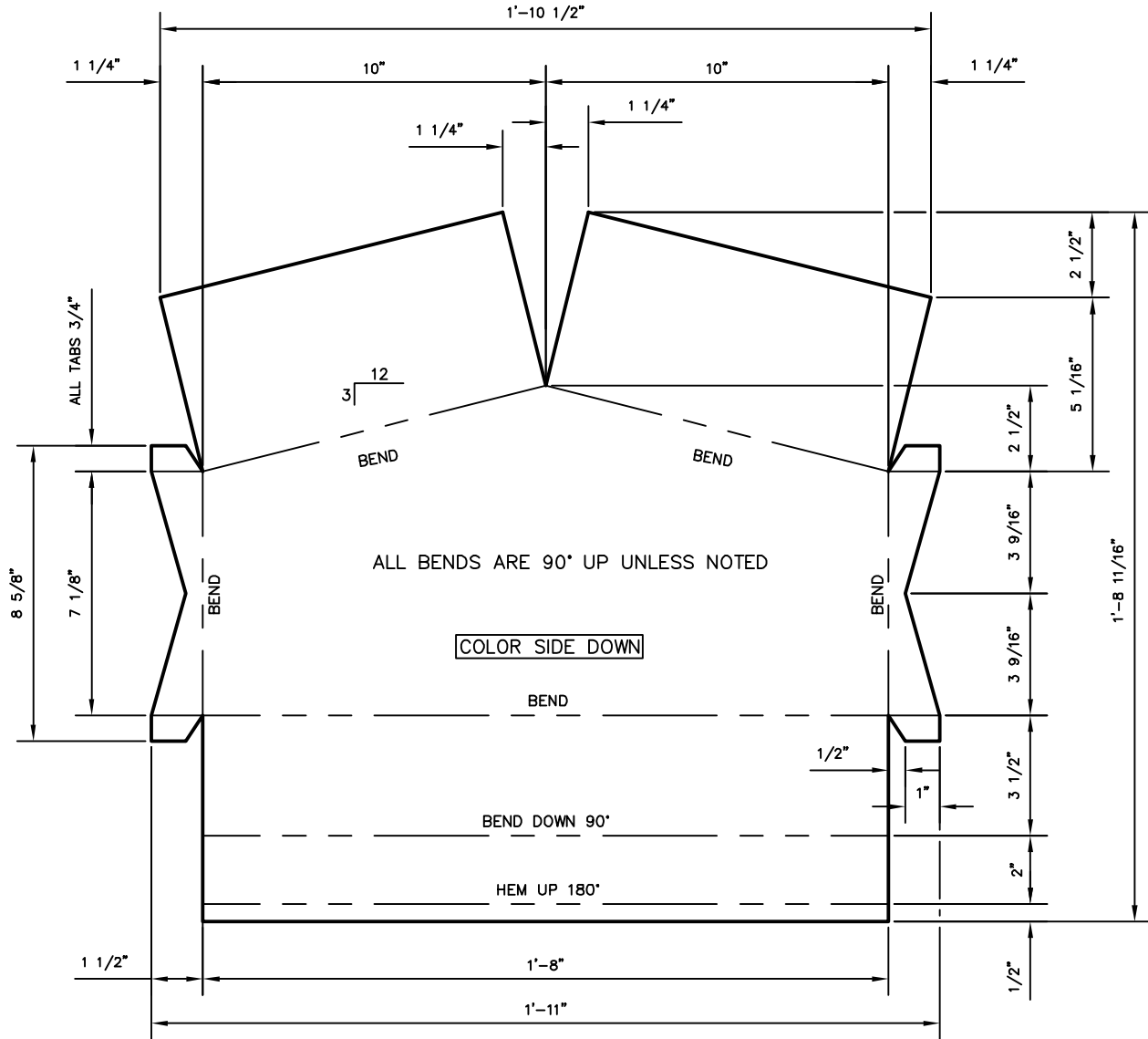
9-04-13 rev.

4-24-13 rev.

8-24-11 rev.

10-21-02

GIRTH: SEE PATTERN: UTW-0135  
BENDS: SEE PATTERN: UTW-0135



# FIXED PEAK BOX - PATTERN

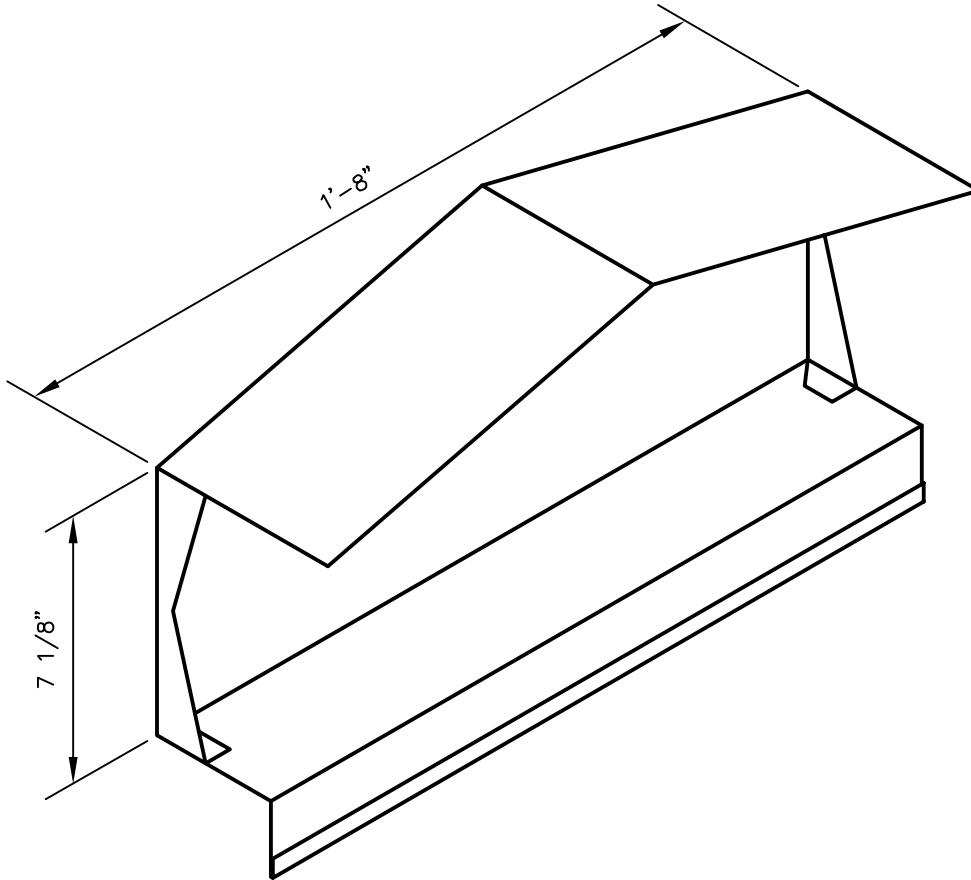
(3:12)

PANEL PROFILES	GAUGE
U-PANEL	26
MULTI-RIB	26
R-PANEL	26
MEGA-RIB	26

9-04-13 rev.  
 4-24-13 rev.  
 1-13-09 rev.  
 10-21-02

GIRTH: 1'-11" X 1'-8 11/16"  
 BENDS: 90° AND AS SPECIFIED

227A



## FIXED PEAK BOX - FINISHED

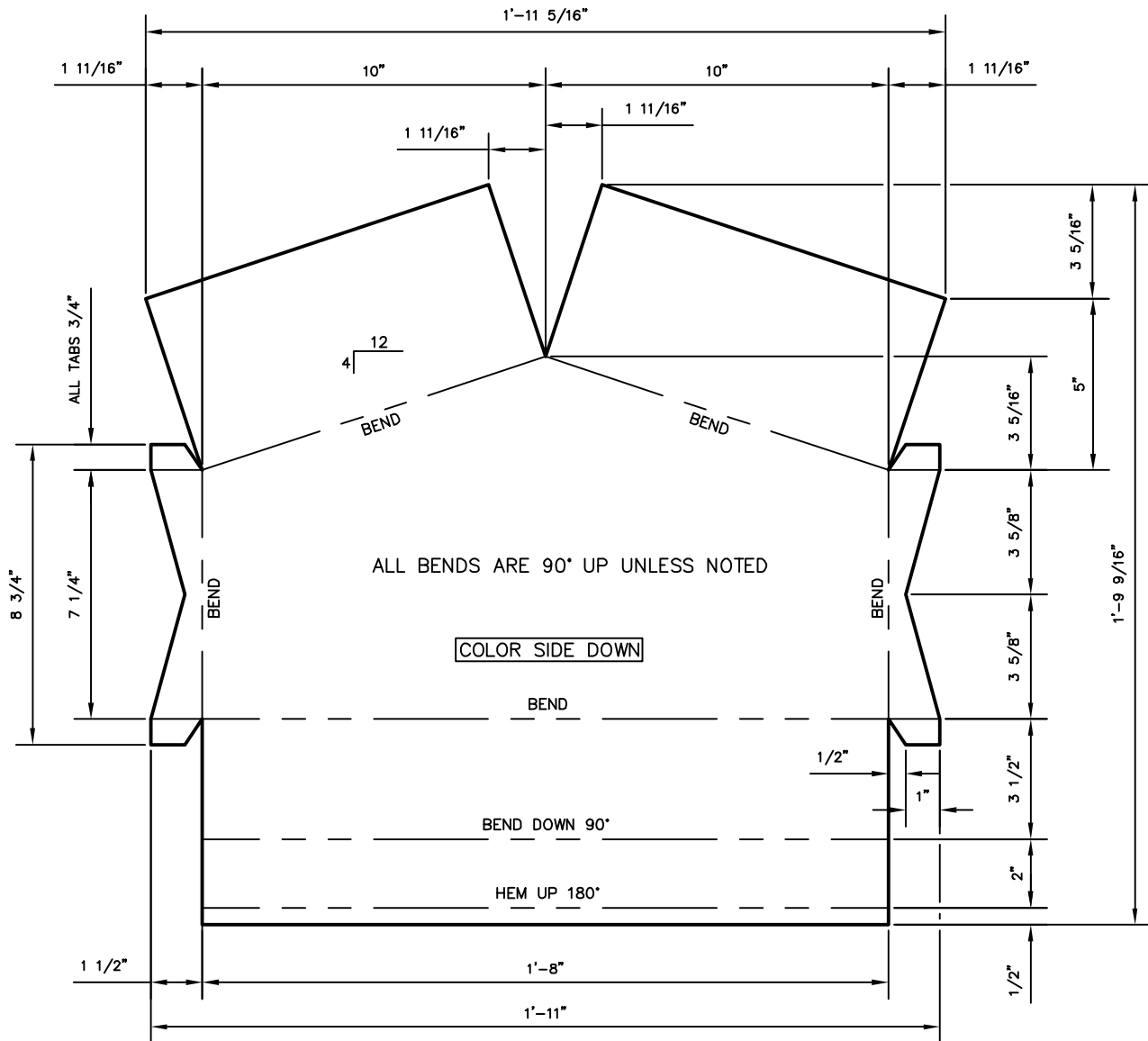
(3:12)

PANEL PROFILES	GAUGE
U-PANEL	26
MULTI-RIB	26
R-PANEL	26
MEGA-RIB	26

9-04-13 rev.  
4-24-13 rev.  
8-24-11 rev.  
10-21-02

GIRTH: SEE PATTERN: UTW-0137  
BENDS: SEE PATTERN: UTW-0137





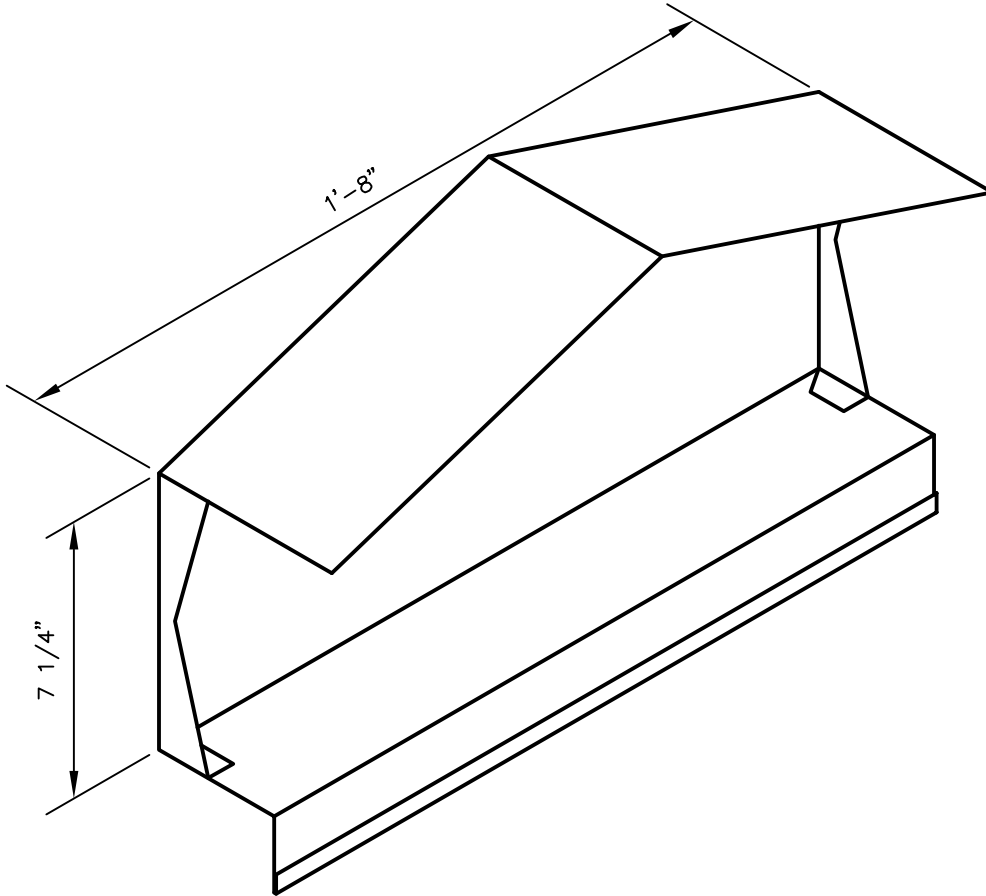
### FIXED PEAK BOX (4:12) - PATTERN

PANEL PROFILES	GAUGE
U-PANEL	26
MULTI-RIB	26
R-PANEL	26
MEGA-RIB	26

9-04-13 rev.  
 8-24-11 rev.  
 10-21-02

GIRTH: 1'-11 15/16" X 1'-9 9/16"  
 BENDS: 90° UNLESS SPECIFIED

229A

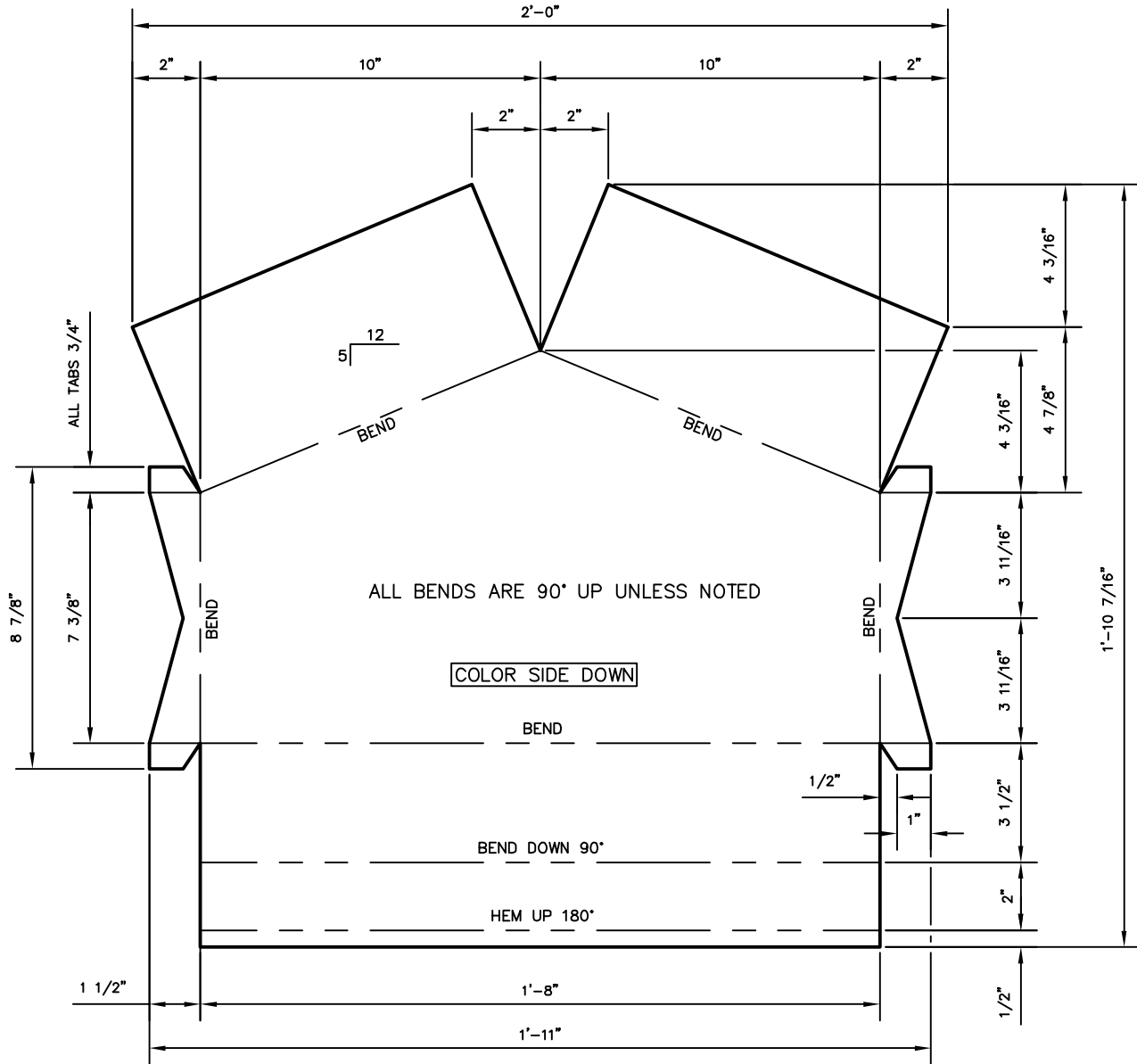


FIXED PEAK BOX (4:12) - FINISHED

PANEL PROFILES	GAUGE
U-PANEL	26
MULTI-RIB	26
R-PANEL	26
MEGA-RIB	26

9-04-13 rev.  
8-24-11 rev.  
10-21-02

GIRTH: SEE PATTERN: UTW-0139  
BENDS: SEE PATTERN: UTW-0139



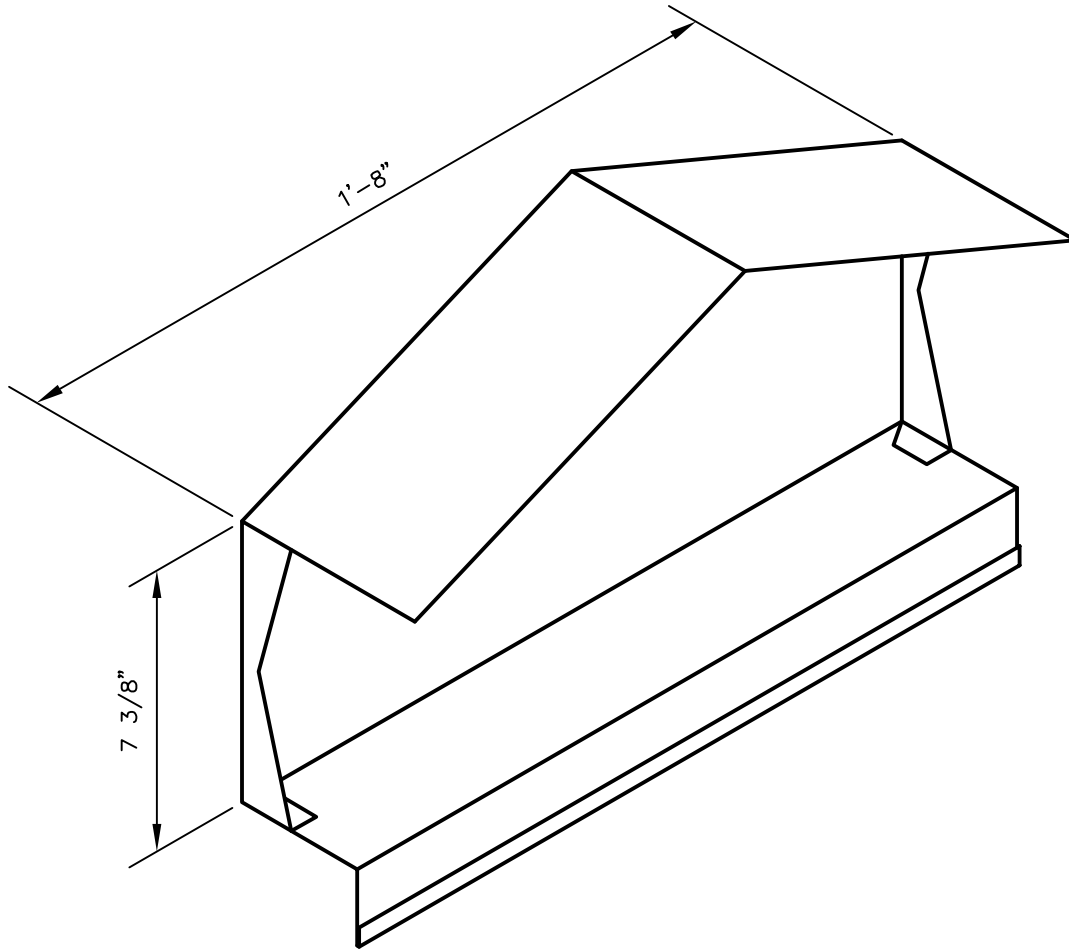
### FIXED PEAK BOX (5:12) - PATTERN

PANEL PROFILES	GAUGE
U-PANEL	26
MULTI-RIB	26
R-PANEL	26
MEGA-RIB	26

9-04-13 rev.  
 8-24-09 rev.  
 1-13-09 rev.  
 10-21-02

GIRTH: 2'-0" X 1'-10 7/16"  
 BENDS: 90° UNLESS SPECIFIED

231A

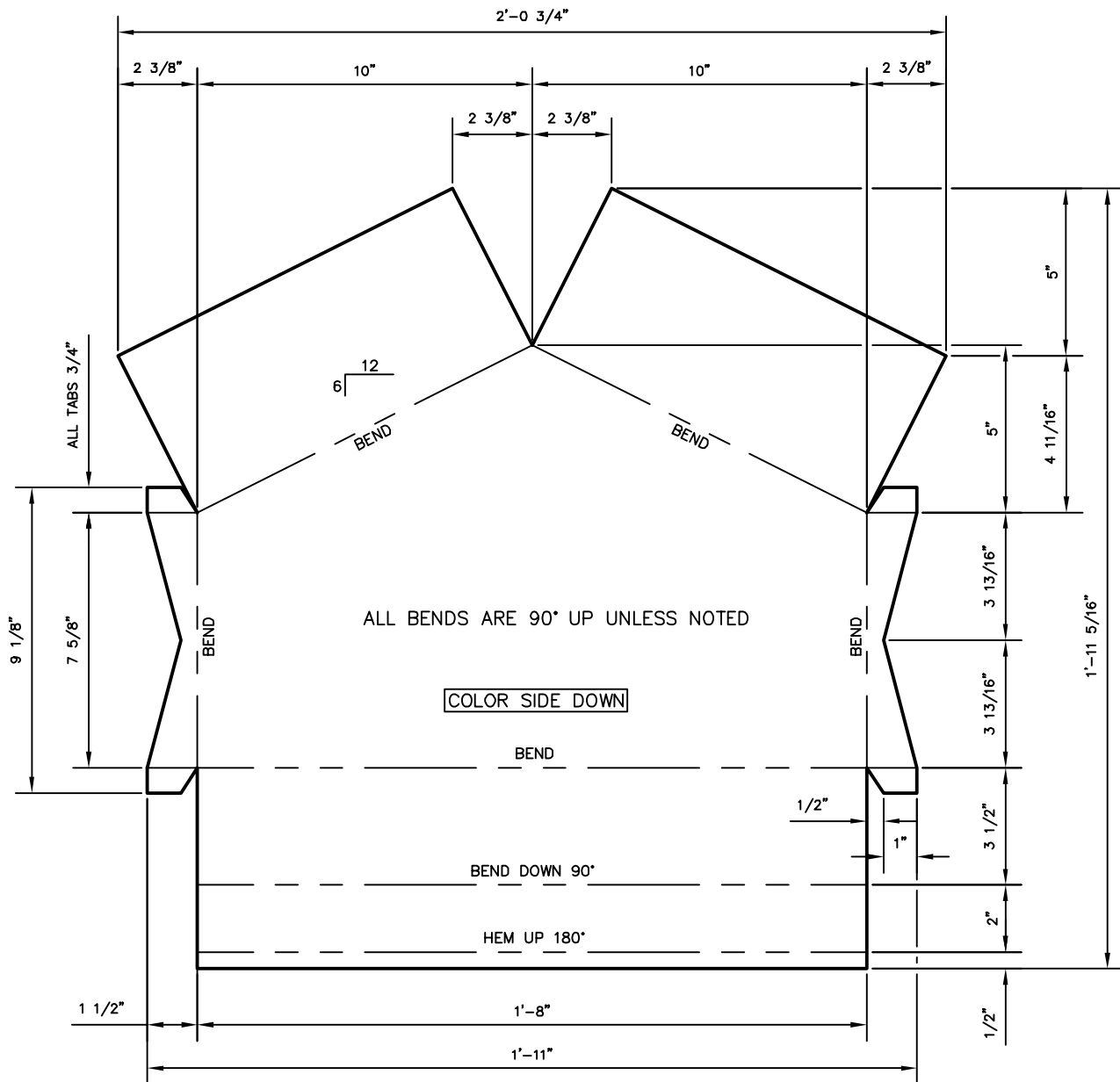


FIXED PEAK BOX (5:12) - FINISHED

PANEL PROFILES	GAUGE
U-PANEL	26
MULTI-RIB	26
R-PANEL	26
MEGA-RIB	26

7-09-13 rev.  
8-24-11 rev.  
10-21-02

GIRTH: SEE PATTERN: UTW-0141  
BENDS: SEE PATTERN: UTW-0141



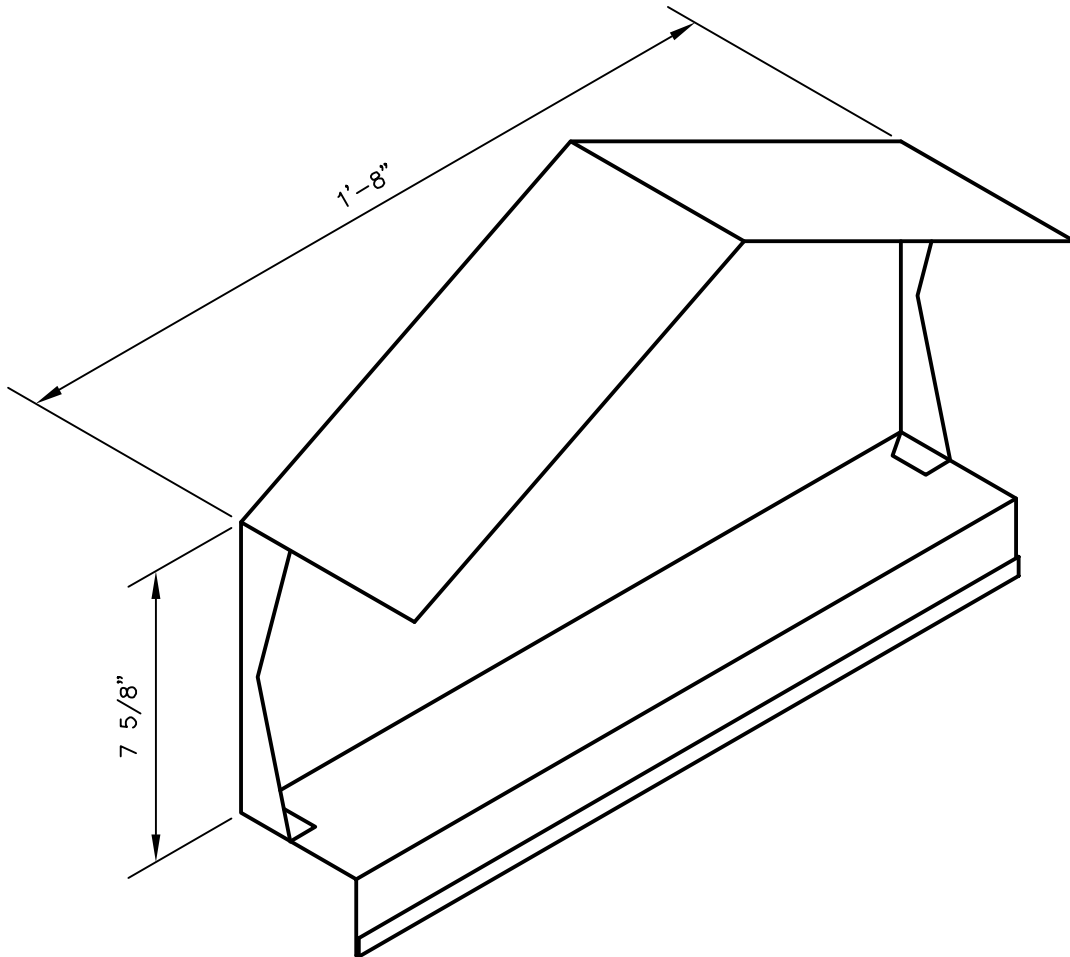
### FIXED PEAK BOX (6:12) - PATTERN

PANEL PROFILES	GAUGE
U-PANEL	26
MULTI-RIB	26
R-PANEL	26
MEGA-RIB	26

9-04-13 rev.  
 8-24-11 rev.  
 1-13-09 rev.  
 10-21-02

GIRTH: 2'-0 3/4" X 1'-11 5/16"  
 BENDS: 90° UNLESS SPECIFIED

233A

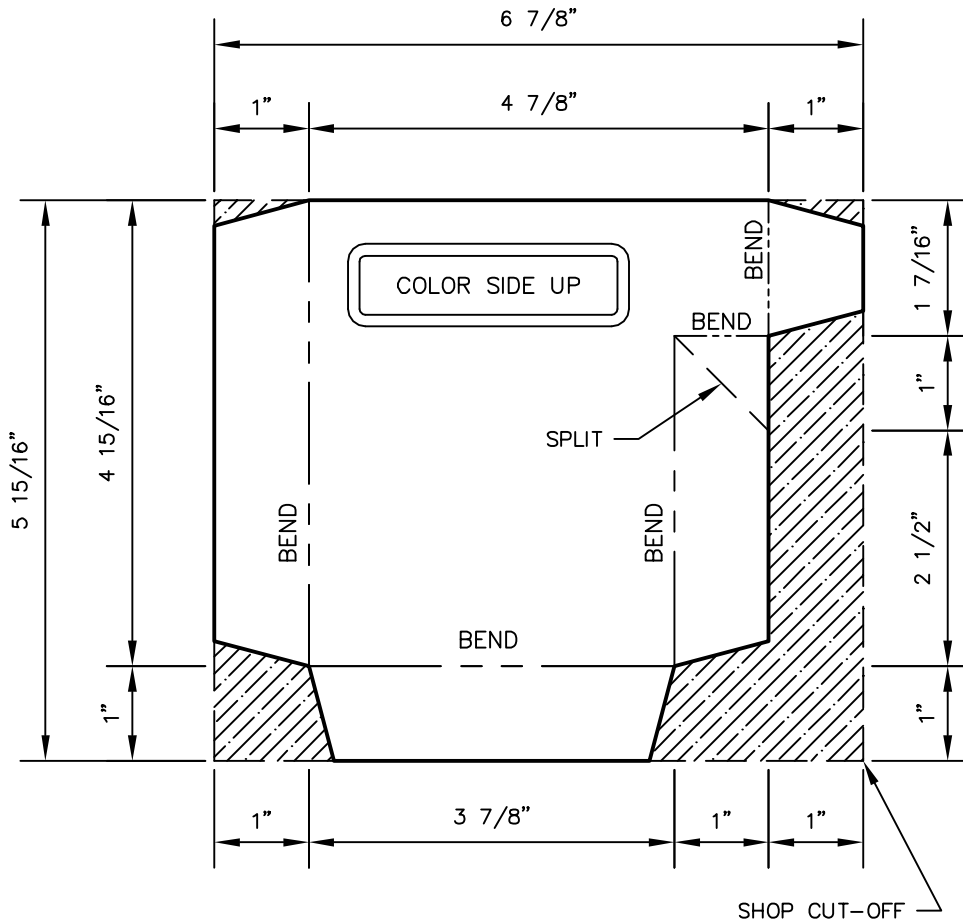
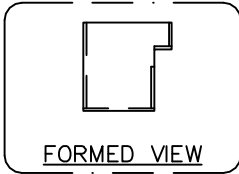


FIXED PEAK BOX (6:12) - FINISHED

PANEL PROFILES	GAUGE
U-PANEL	26
MULTI-RIB	26
R-PANEL	26
MEGA-RIB	26

7-09-13 rev.  
8-24-11 rev.  
10-21-02

GIRTH: SEE PATTERN: UTW-0143  
BENDS: SEE PATTERN: UTW-0143

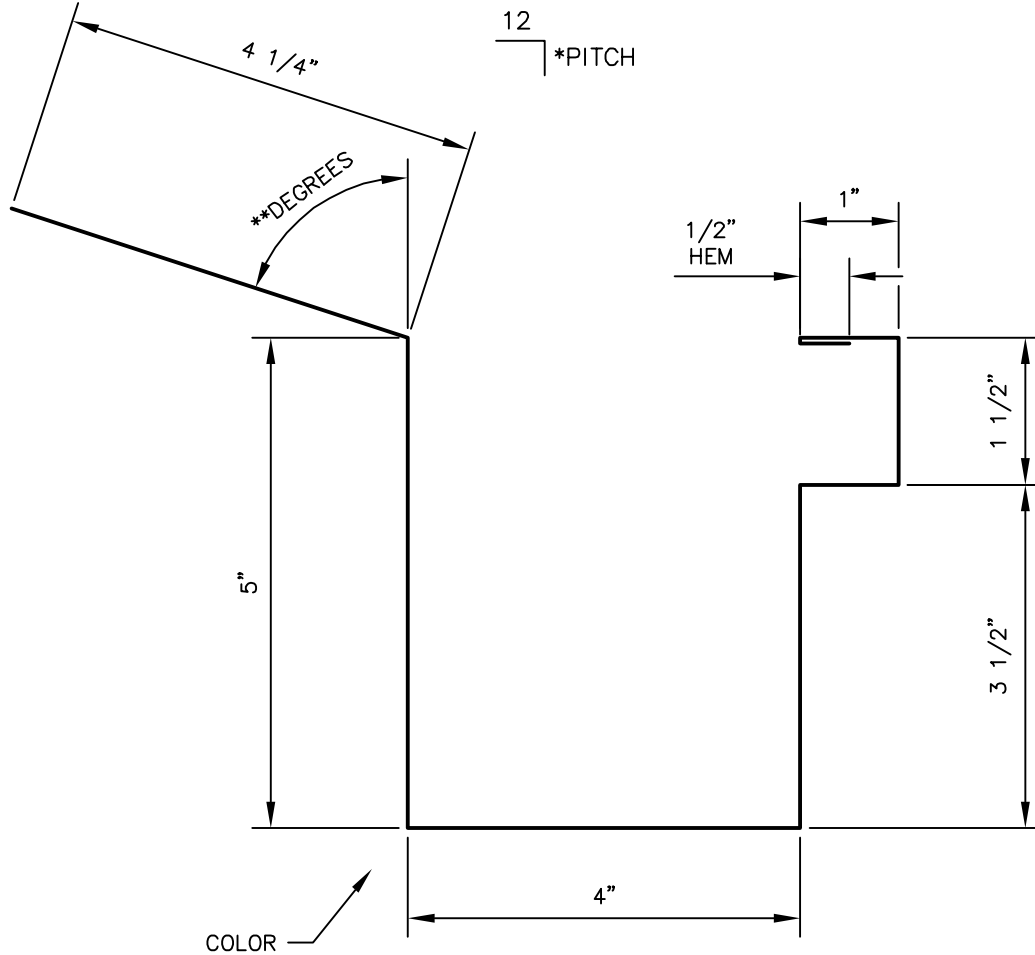


PANEL PROFILES	GAUGE
MEDALLION I	24 or 26
MEDALLION II	24 or 26
MEDALLION-LOK	24 or 26
MAXIMA 1.5"	24 or 26
MAXIMA 2"	24 or 26
MAXIMA 3"	24 or 26
MAXIMA ADV	24 or 26
MERIDIAN	26
MAX-RIB	26
MESA	26
M-COR	26
MULTI-COR	26
U-PANEL	26

### GUTTER END CAP

(LEFT HAND SHOWN)  
(RIGHT HAND OPP.)

GIRTH: 5 15/16" X 6 7/8"  
BENDS: DOWN 90°



COLOR

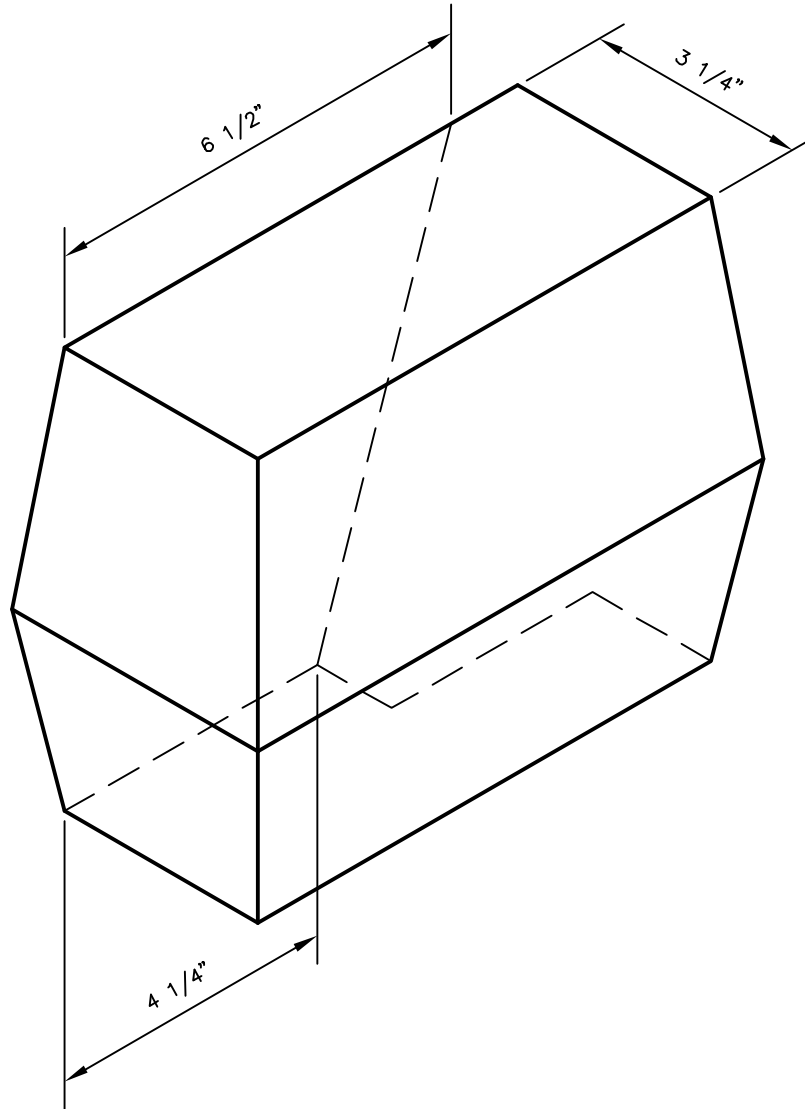
GUTTER

*PITCH	**DEGREES
1:12	85°
2:12	81°
3:12	76°
4:12	72°
5:12	67°
6:12	63°
7:12	60°
8:12	56°
9:12	53°
10:12	50°
11:12	47°
12:12	45°

PANEL PROFILES	GAUGE
M-COR	26
MULTI-COR	26
U-PANEL	26

GIRTH: 20 3/4"  
BENDS: 90° AND AS SPECIFIED





## GUTTER CORNER BOX - (FINISHED)

(RIGHT HAND SHOWN - LEFT HAND OPP.)

(FOR 2:12 TO 4:12 PITCHES)

PANEL PROFILES	GAUGE
U-PANEL	24 or 26
MULTI-RIB	24 or 26
R-PANEL	24 or 26
MEGA-RIB	24 or 26

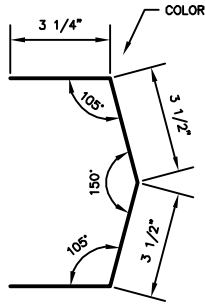
6-10-19 rev.  
 8-27-14 rev.  
 6-24-13 rev.  
 7-26-11 rev.  
 2-20-04

GIRTH: SEE PATTERN: UTW-0148  
 BENDS: SEE PATTEN: UTW-0148

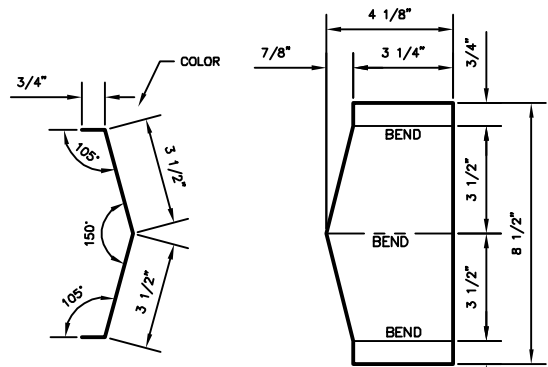
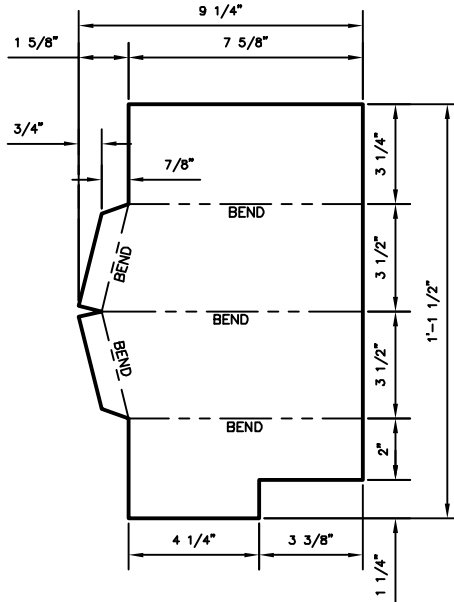
178B

178C

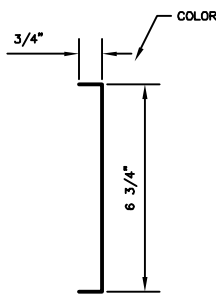
178D



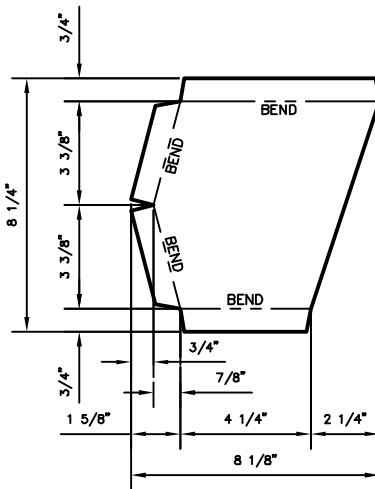
MAT'L: 26 GA.  
GIRTH: 13 1/2" X 9 1/4"  
BENDS: AS SPECIFIED



MAT'L: 26 GA.  
GIRTH: 8 1/2" X 4 1/8"  
BENDS: AS SPECIFIED



MAT'L: 26 GA.  
GIRTH: 8 1/8" X 8 1/4"  
BENDS: 90°



PANEL PROFILES	GAUGE
U-PANEL	24 or 26
MULTI-RIB	24 or 26
R-PANEL	24 or 26
MEGA-RIB	24 or 26

## GUTTER CORNER BOX - PATTERNS

(RIGHT HAND SHOWN - LEFT HAND OPP.)  
(2:12 - 4:12 PITCHES)

- 6-10-19 rev.
- 8-27-14 rev.
- 6-24-13 rev.
- 7-26-11 rev.
- 9-10-07

GIRTH: SEE ABOVE  
BENDS: SEE ABOVE  
SEE FINISHED: UTW-0147