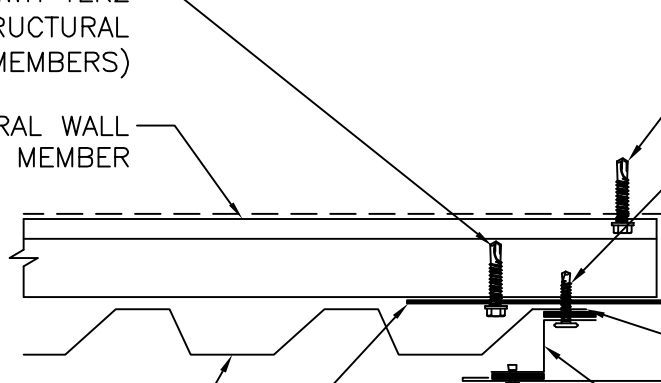


1/4-14 X 1 1/4" HWH TEK2
FASTENERS (@ STRUCTURAL
SUPPORT MEMBERS)

STRUCTURAL WALL
MEMBER



1/4-14 X 1 1/4" HWH TEK2
FASTENERS (2 PER CONNECTION)

#10-16 X 1" TEK2 PANCAKE
HEAD FASTENERS (@1'-0" O.C.)

WAVE PANEL
(INSTALLED VERTICALLY)

SPECIAL STRUCTURAL
16GA. ANGLE (INSTALLER
TO DETERMINE SIZE)

43D POP RIVET
(@1'-8" O.C. MAX.)

FIELD CUT PANEL
AS REQUIRE

MT-179: JAMB TRIM

MT-13: 1" ZEE CLOSURE
W/ 1" ROLL TAPE SEALANT
(TOP & BOTTOM OF ZEE CLOSURE)



JAMB (LOW) DETAIL

ISSUE/REVISION DATE:

06/08/2020

ROOF PANEL: WAVE

SUBSTRATE: LAT SECTION

SCALE: N.T.S.