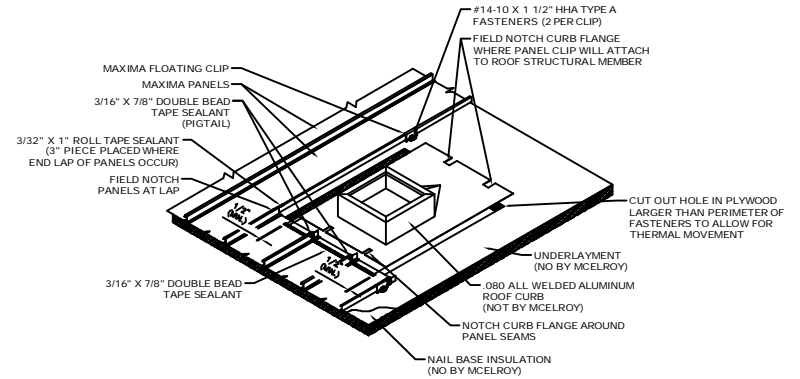
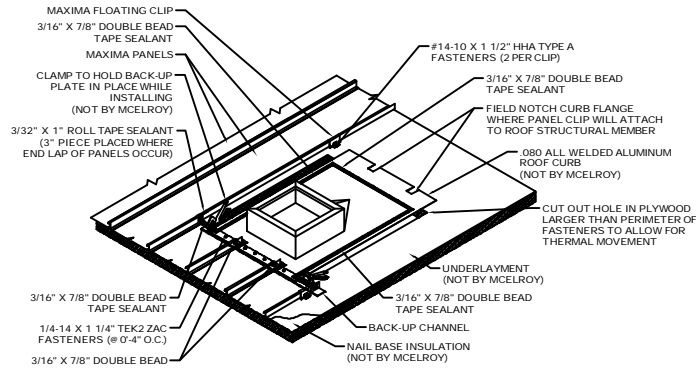


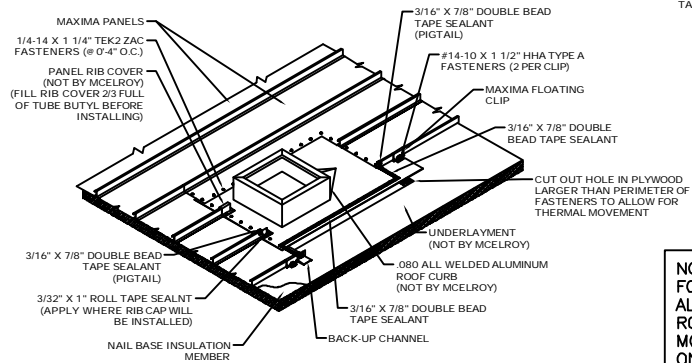
**STEP #1**



**STEP #2**

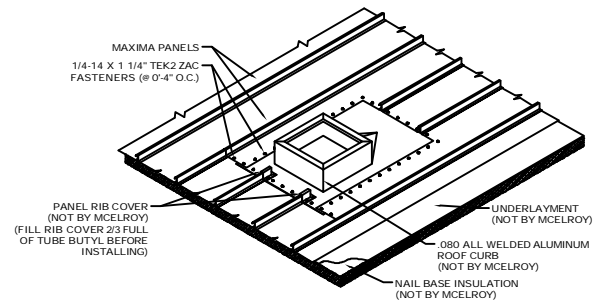


**STEP #3**



**STEP #4**

**NOTE:**  
 FOR WEATHERTIGHTNESS WARRANTIES, AN ALL WELDED ALUMINUM OR STAINLESS STEEL ROOF CURB IS REQUIRED. PLEASE CONTACT MCELROY METAL FOR REQUIRED SPECIFICATIONS ON ROOF CURBS.



**STEP #5**