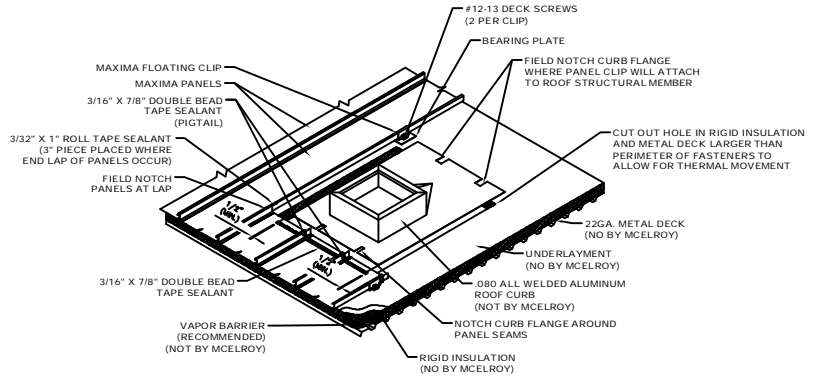
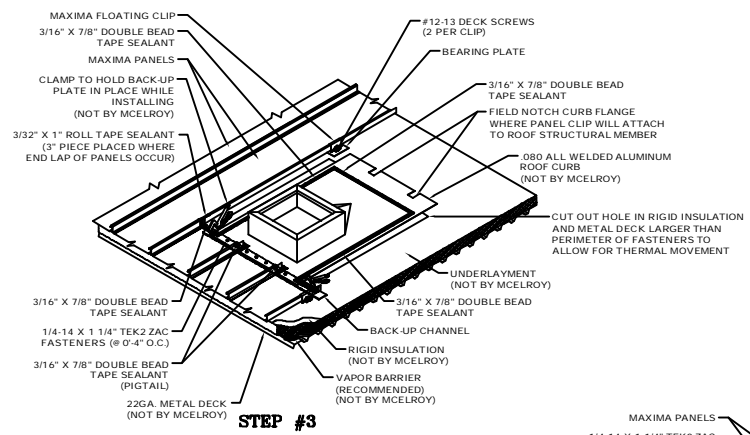


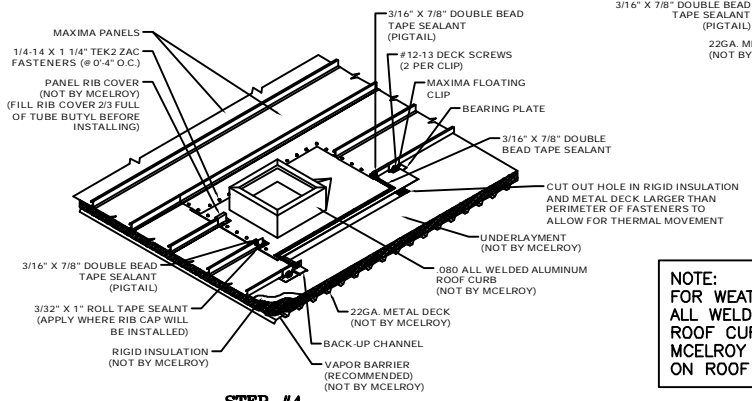
STEP #1



STEP #2

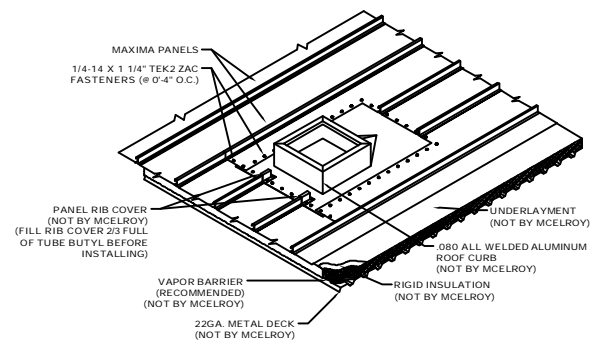


STEP #3



STEP #4

NOTE:
FOR WEATHERTIGHTNESS WARRANTIES, AN ALL WELDED ALUMINUM OR STAINLESS STEEL ROOF CURB IS REQUIRED. PLEASE CONTACT MCELROY METAL FOR REQUIRED SPECIFICATIONS ON ROOF CURBS.



STEP #5