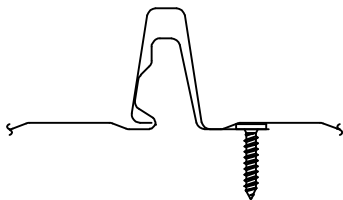
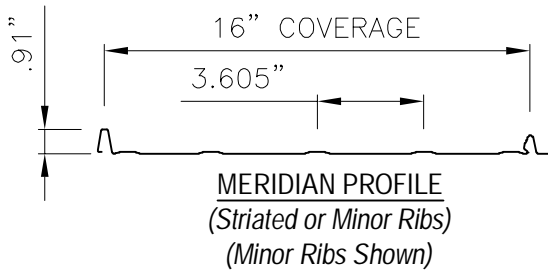
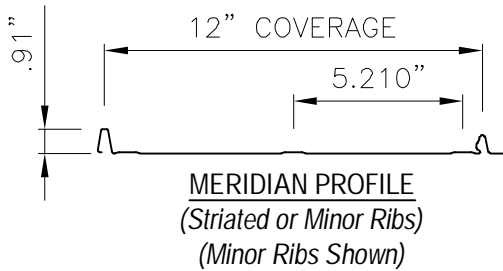


Meridian Panel

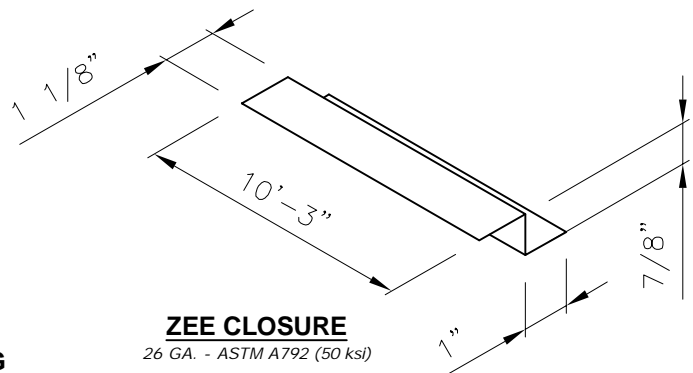
Product Data



MERIDIAN SEAM



FOAM SEAM PLUG



Applications

Snap Seamed roof panel used on slopes down to 3:12. Standard panel lengths up to 45'. Please inquire for longer lengths.

Substrates

Plywood or Rigid Insulation/Metal Deck.

Material

Standard - 24 GA. or 26 GA. ASTM A792 (50 ksi steel)
AZ55 - Bare, AZ50 - Painted

Manufacturing

Roll formed in factory.
Available Factory Eave Notching of 1 1/2"

Finishes

Acrylic Coated Galvalume®
Fluoropolymer (Kynar 500® PVDF resin-based)

Pan Conditions

16" Minor Rib or Striated - 24 or 26 ga.
12" Minor Rib or Striated - 24 ga. only
Oil canning is inherent in all metal panels and is not cause for panel rejection. A signed oil canning acknowledgement will be required for all orders prior to production.

Testing *

Uplift: UL 580 Class 90
Air & Water Infiltration: ASTM E1680, and ASTM E1646.
Fire Resistance: UL 790 Class A
Impact Testing: UL2218 Class 4
Florida Product Approval: FL 2358.1
Texas Windstorm: RC-34
Testing and Approvals are product specific. Please inquire for details.

NOTE:

All data represented on this sheet may not be applicable to all widths and gauges. Please contact McElroy Metal for more information.