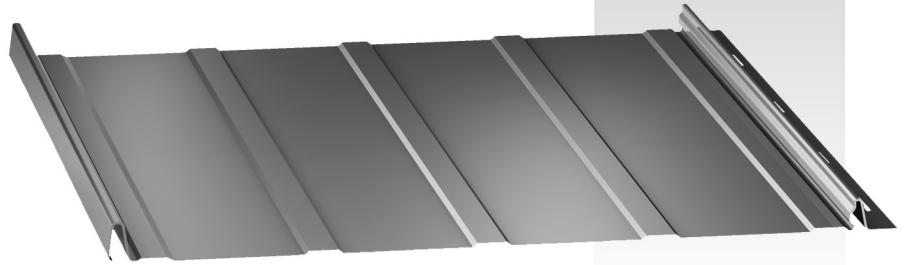


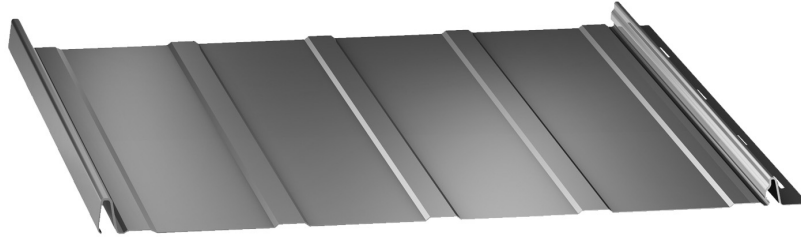
# MERIDIAN



## Panel/Trim/Accessories

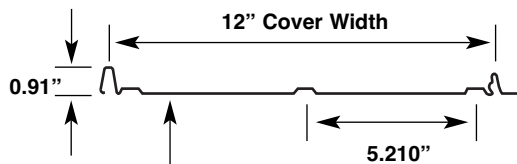


# MERIDIAN

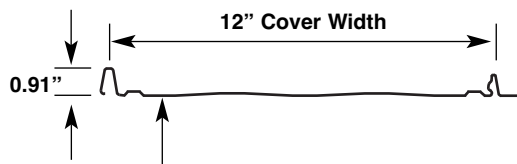


## Meridian

### Pan Conditions for 12"

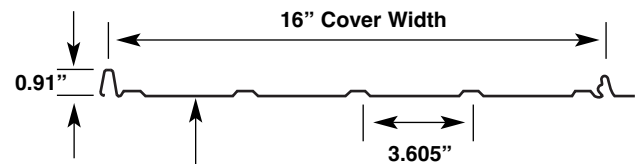


12" MERIDIAN PANEL MINOR RIB 24 GAUGE ONLY

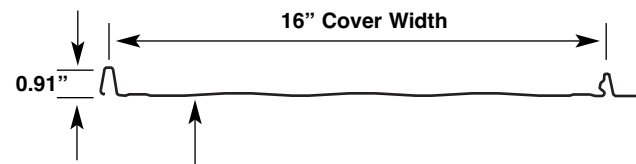


12" MERIDIAN PANEL STRIATED 24 GAUGE ONLY

### Pan Conditions for 16"



16" MERIDIAN PANEL MINOR RIBS



16" MERIDIAN PANEL STRIATED

## Meridian Tables and Section Properties

For any available Testing Data, Section Properties, or Load Tables, please visit [www.mcelroymetal.com](http://www.mcelroymetal.com). For additional information, please contact the **McElroy Engineering Department at 1-800-950-9082**.

### Details:

- Factory formed eave notch upon request
- Minimum slope: 3:12
- Must be installed over solid deck
- Oil canning is a natural occurrence in metal panels and is not cause for panel rejection
- Contents in this manual are subject to change without notice. To confirm this book is the most current copy, please visit McElroy's website at [www.mcelroymetal.com](http://www.mcelroymetal.com)

### Note:

- Meridian manufactured in Sunnyvale, TX features a slightly different lap and should not be mixed with panels from other facilities

### Panel Options:

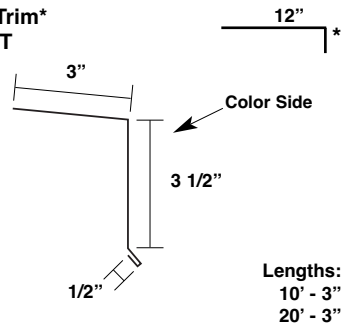
- Panel width: 12" and 16"
- Panel configurations:
  - 16" minor ribs or striated
  - 12" minor ribs or striated
- Coating:
  - Kynar 500® (PVDF)
- Substrate:
  - Standard 26 GA Galvalume® 16" only
  - Standard 24 GA Galvalume 12" and 16"

# MERIDIAN

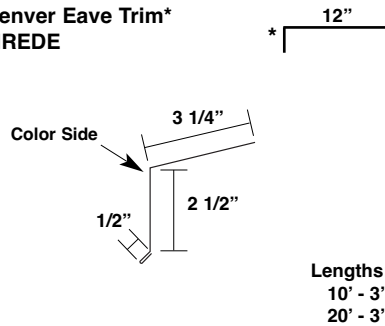
## TRIM FOR EXPOSED FASTENED APPLICATIONS

26 GA

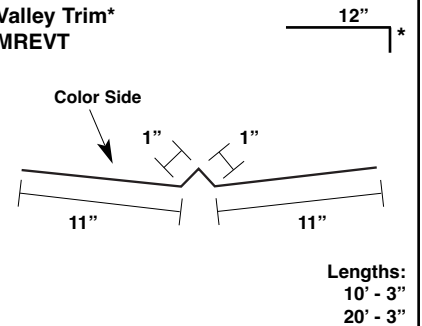
Eave Trim\*  
MREET



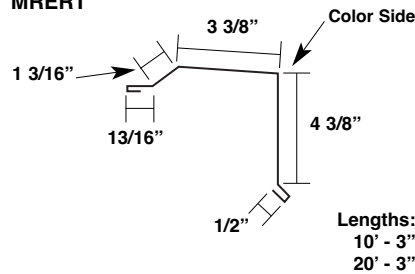
Denver Eave Trim\*  
MREDE



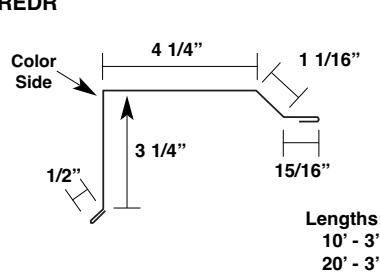
Valley Trim\*  
MREVT



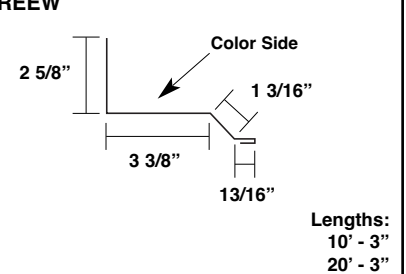
Rake Trim  
MRERT



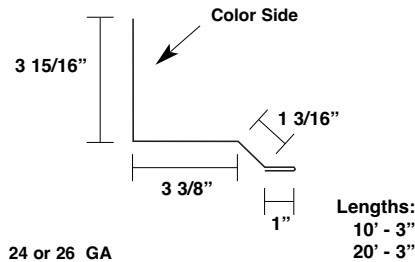
Denver Rake  
MREDR



Rake Tie-In  
MREEW

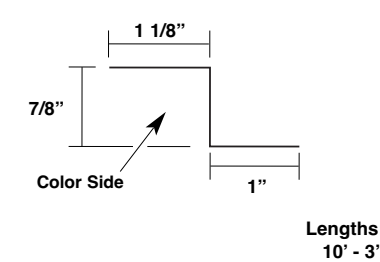


Step Rake Tie-In  
MRESEW

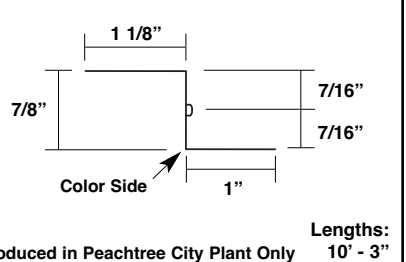


24 or 26 GA

Zee Closure  
MRAZC

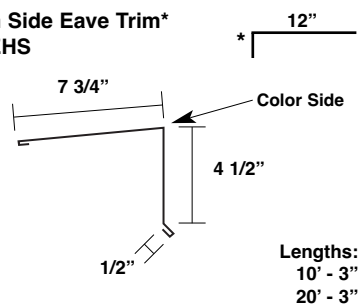


Vented Zee Closure  
MRAVZC

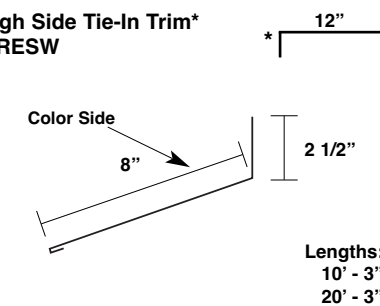


Produced in Peachtree City Plant Only

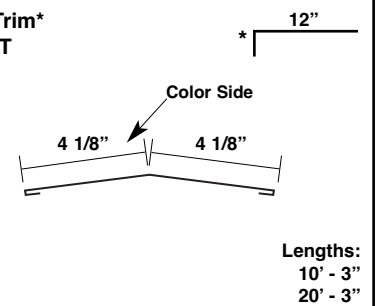
High Side Eave Trim\*  
MREHS



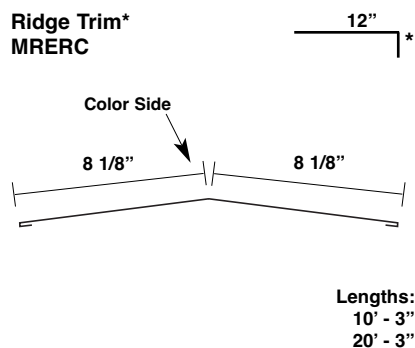
High Side Tie-In Trim\*  
MRESW



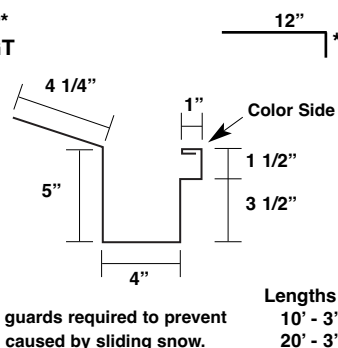
Hip Trim\*  
MRHT



Ridge Trim\*  
MRERC

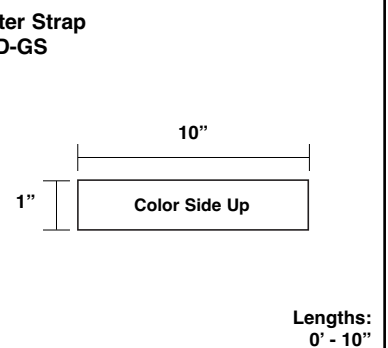


Gutter\*  
MRDGT



\*\*Snow guards required to prevent damage caused by sliding snow.

Gutter Strap  
MRD-GS



\*specify roof pitch

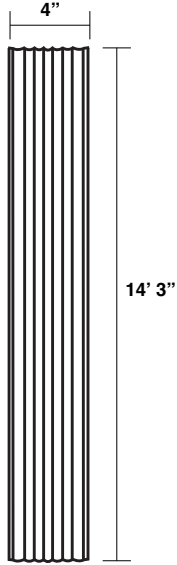
(H) Indicates an open hem - All other hems are closed.

# MERIDIAN

## TRIM FOR EXPOSED FASTENED APPLICATIONS

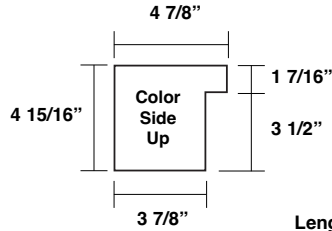
26 GA

3" x 4" Downspout  
BBPDS



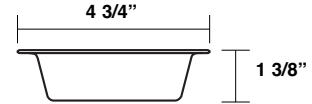
Lengths:  
14' - 3"

Gutter End Cap  
MRDGEC



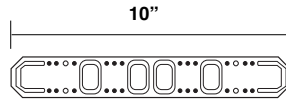
Lengths:  
N/A

Aluminum Downspout Outlet  
BBPOUT



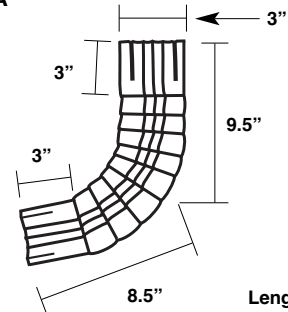
Lengths:  
N/A

Downspout Strap  
BBPDSS



Lengths:  
10"

"A" Style Downspout Elbow  
BBPELA



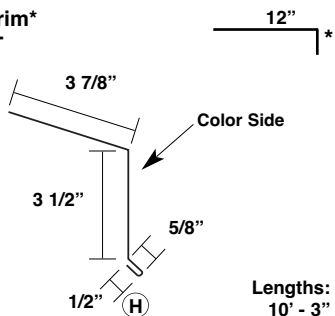
Lengths:  
N/A

# MERIDIAN

## TRIM FOR ARCHITECTURAL APPLICATIONS

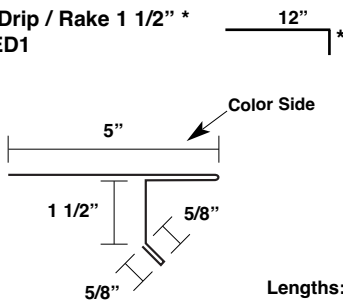
26 GA

Eave Trim\*  
MRAET



Lengths:  
10' - 3"  
20' - 3"

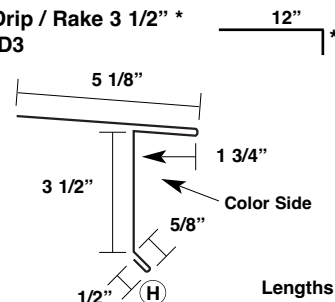
Eave Drip / Rake 1 1/2" \*  
MRAED1



Lengths:  
10' - 3"  
20' - 3"

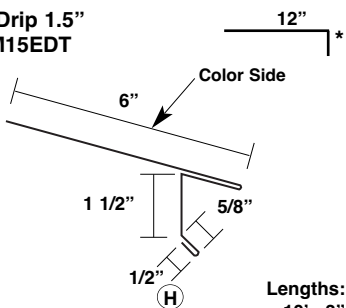
24 or 26 Ga.

Eave Drip / Rake 3 1/2" \*  
MRAED3



Lengths:  
10' - 3"  
20' - 3"

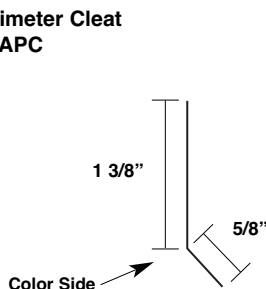
Eave Drip 1.5"  
MRAM15EDT



Lengths:  
10' - 3"  
20' - 3"

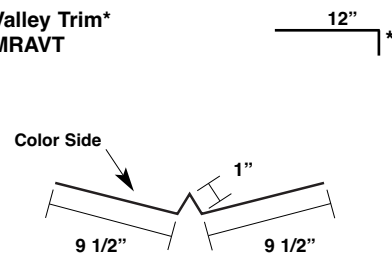
24 or 26 Ga.

Perimeter Cleat  
MRAPC



Lengths:  
10' - 3"

Valley Trim\*  
MRAVT



Lengths:  
10' - 3"  
20' - 3"

\*specify roof pitch

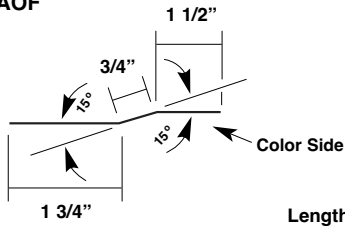
(H) Indicates an open hem - All other hems are closed.

# MERIDIAN

## TRIM FOR ARCHITECTURAL APPLICATIONS

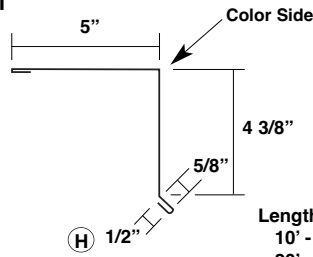
26 GA

**Offset Cleat  
MRAOF**



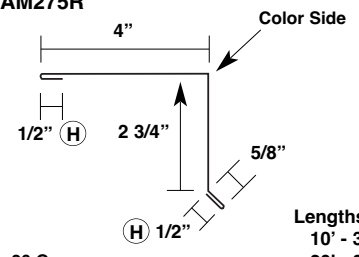
Lengths:  
10' - 3"  
20' - 3"

**Rake Trim  
MRART**



Lengths:  
10' - 3"  
20' - 3"

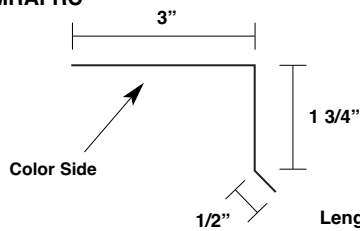
**Rake Trim 2.75"  
MRAM275R**



24 or 26 Ga.

Lengths:  
10' - 3"  
20' - 3"

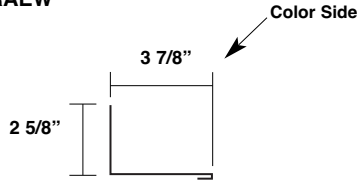
**Fixed Rake Cleat  
MRAFRC**



24 or 26 Ga.

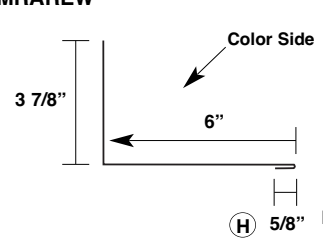
Lengths:  
10' - 3"  
20' - 3"

**Rake Tie-In Trim  
MRAEW**



Lengths:  
10' - 3"  
20' - 3"

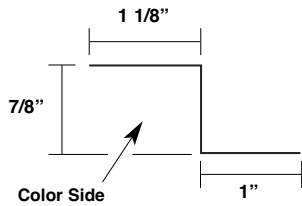
**Sidewall Trim  
MRAREW**



24 or 26 Ga.

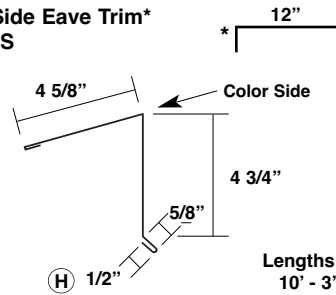
Lengths:  
10' - 3"  
20' - 3"

**Zee Closure  
MRAZC**



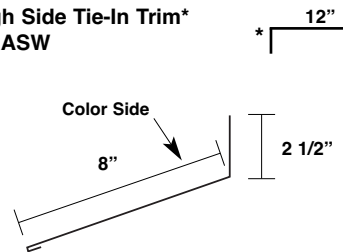
Lengths:  
10' - 3"

**High Side Eave Trim\*  
MRAHS**



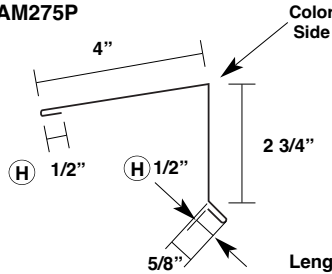
Lengths:  
10' - 3"  
20' - 3"

**High Side Tie-In Trim\*  
MRASW**



Lengths:  
10' - 3"  
20' - 3"

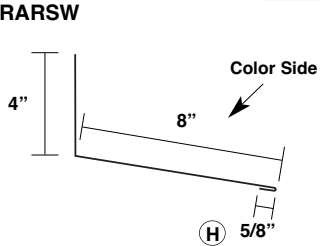
**2.75" Peak  
MRAM275P**



26 or 29 Ga.

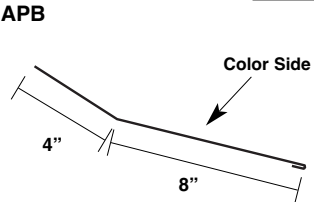
Lengths:  
10' - 3"  
20' - 3"

**Endwall Trim  
MRARSW**



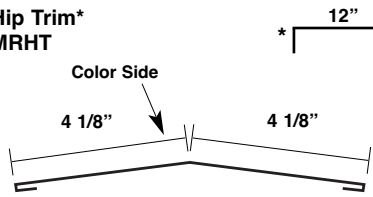
Lengths:  
10' - 3"  
20' - 3"

**Pitch Break  
MRAPB**



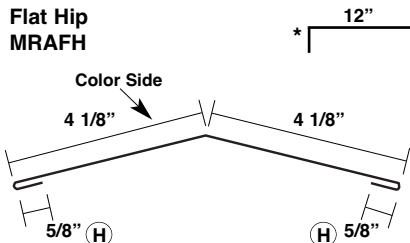
Lengths:  
N/A

**Hip Trim\*  
MRHT**



Lengths:  
10' - 3"  
20' - 3"

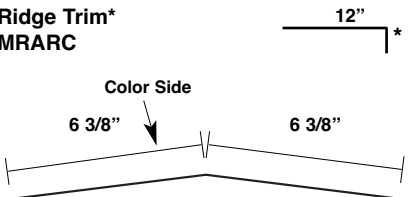
**Flat Hip  
MRAFH**



Lengths:  
10' - 3"  
20' - 3"

24 or 26 Ga.

**Ridge Trim\*  
MRARC**



Lengths:  
10' - 3"  
20' - 3"

\*specify roof pitch

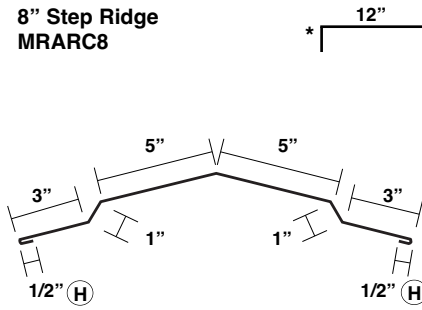
(H) Indicates an open hem - All other hems are closed.

# MERIDIAN

## TRIM FOR ARCHITECTURAL APPLICATIONS

26 GA

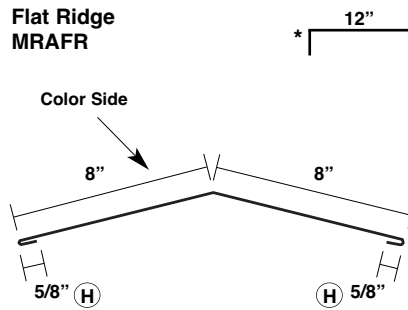
**8" Step Ridge**  
MRARC8



Lengths:  
10' - 3"  
20' - 3"

24 or 26 Ga.

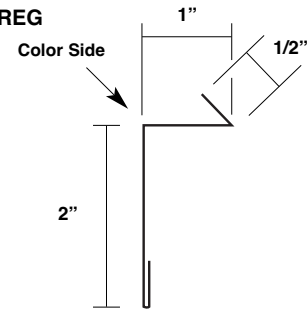
**Flat Ridge**  
MRAFR



Lengths:  
10' - 3"  
20' - 3"

24 or 26 Ga.

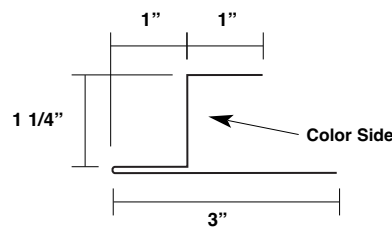
**Reglet**  
MRAREG



Lengths:  
10' - 3"  
20' - 3"

24 or 26 Ga.

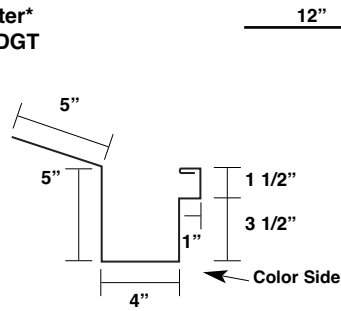
**Modified J**  
MRAMJ



Lengths:  
10' - 3"  
20' - 3"

24 or 26 Ga.

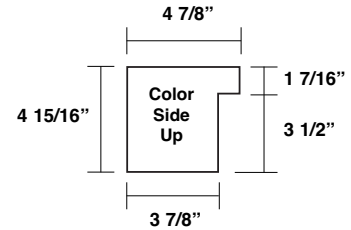
**Gutter\***  
MRDGT



Lengths:  
10' - 3"  
20' - 3"

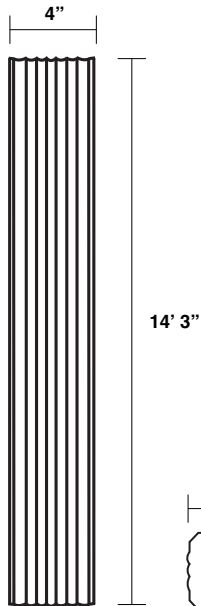
\*\*Snow guards required to prevent damage caused by sliding snow.

**Gutter End Cap**  
MRDGEK



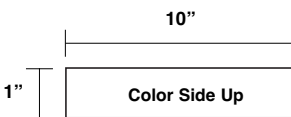
Lengths:  
N/A

**Downspout**  
BBPDS



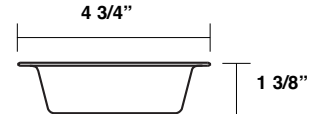
Lengths:  
14' - 3"

**Gutter Strap**  
MRD-GS



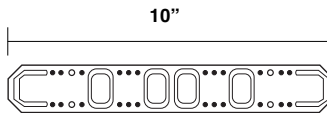
Lengths:  
0' - 10"

**Aluminum Downspout Outlet**  
BBPOUT



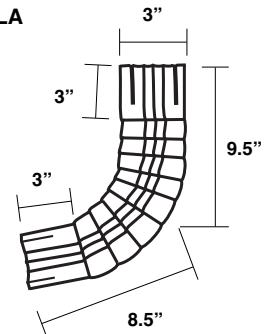
Lengths:  
N/A

**Downspout Strap**  
BBPDSS



Lengths:  
10"

**3" x 4" Downspout Elbow**  
A-Style  
BBPELA

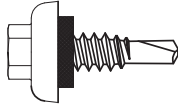


Lengths:  
N/A

# MERIDIAN

## ACCESSORIES

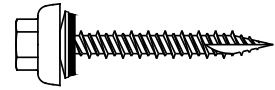
1/4 - 14 x 7/8" LAPTEK ZAC  
Self Driller  
(Part # varies by color)



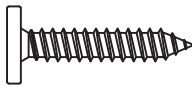
#9 - 15 x 1" Type A Woodgrip  
W/O Washer - Plain  
Item #: 36115



#10 - 15 Woodgrip  
HILO ZAC  
(Part # varies by color)



#10 - 12 x 1" Type A Pancake Head  
Woodgrip  
Item #: 36116001



Titebond Caulk Sealant  
(Part # varies by color)



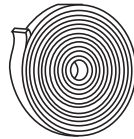
White Urethane Sealant  
Item #: 95320



Sikalastomer 511 Butyl Tube Sealant  
Item #: 95342

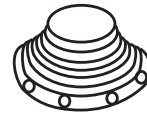


Roll Tape Sealant 3/32" x 1" x 45'  
Item #: 95335



Dektite Flashing Roof or Wall Pipe

1/4" - 2" Item #: 97242  
1/4" - 4" Item #: 97244  
4" - 7" Item #: 97246  
6" - 11" Item #: 97248  
7" - 13" Item #: 97249



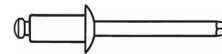
Inside Closure Plug  
Item #: 95072



Outside Closure  
12" w-Adhesive Item #: 95067  
16" w-Adhesive Item #: 95066  
\*\* Each Closure Covers 2 Panels



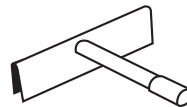
43D Pop Rivet  
(Part # varies by color)

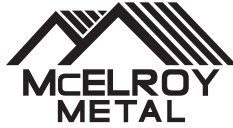


Touch-Up Paint Pen  
(Part # varies by color)



Hemming Tool  
Item #: 36120





☆ MANUFACTURING LOCATIONS ● SERVICE CENTERS ★ MANUFACTURING AND SERVICE CENTER



**CORPORATE OFFICE**  
 1500 HAMILTON RD.  
 BOSSIER CITY, LA 71111

**MANUFACTURING LOCATIONS**

- |              |                    |                  |                |             |
|--------------|--------------------|------------------|----------------|-------------|
| ADELANTO, CA | ASHBURN, GA        | BOSSIER CITY, LA | CLINTON, IL    | DIAMOND, MO |
| HOUSTON, TX  | LEWISPORT, KY      | MARSHALL, MI     | MAUSTON, WI    | MERKEL, TX  |
|              | PEACHTREE CITY, GA | SUNNYVALE, TX    | WINCHESTER, VA |             |

**McELROY METAL**  
**SERVICE**  
 CENTER

- |  |   |  |  |
|--|---|--|--|
| 17031 Koala Road<br>Adelanto, CA 92301         | 5215 Leo St.<br>Alexandria, LA 71301              | 1007 Wilso Dr,<br>Baltimore, MD 21223        | 1500 Hamilton Rd.<br>Bossier City, LA 71111          |
| 3052 Yadkin Road<br>Chesapeake, VA 23323       | 9476 Meadowbrook Rd.<br>Clinton, IL 61727         | 3215 Highway 59<br>Diamond, MO 64840         | 390 N. Valley Dell Dr.<br>Fenton, MO 63026           |
| 409 Lovejoy Road<br>Ft. Walton Beach, FL 32548 | 3014 Lincoln Court<br>Garland, TX 75041           | 1440 Aldine Bender Road<br>Houston, TX 77032 | 10504 E. 59th Street<br>Indianapolis, IN 46236       |
| 9435 US Hwy. 60 W.<br>Lewisport, KY 42351      | 1020 Veterans Street<br>Mauston, WI 53948         | 5123 Terminal Dr.<br>McFarland, WI 53558     | 514 Cave Road<br>Nashville, TN 37210                 |
| 8304 Hwy. 70 E.<br>North Little Rock, AR 72117 | 613 North Bierdeman Rd.<br>Pearl, MS 39208        | 8511 Industrial Drive<br>Pearland, TX 77584  | 2755 Hwy 60<br>Pendergrass, GA 30567                 |
| 7450 Tower Street<br>Richland Hills, TX 76118  | 8200 Berry Ave. Suite 100<br>Sacramento, CA 95828 | 1365 Dean Forest Rd.<br>Savannah, GA 31405   | 7355 Oakley Industrial Blvd.<br>Union City, GA 30291 |
|  | 1144 Silstar Rd.<br>West Columbia, SC 29170       | 325 McGhee Rd.<br>Winchester, VA 22603       |  |

Website: [www.mcelroymetal.com](http://www.mcelroymetal.com) • E-mail: [info@mcelroymetal.com](mailto:info@mcelroymetal.com)