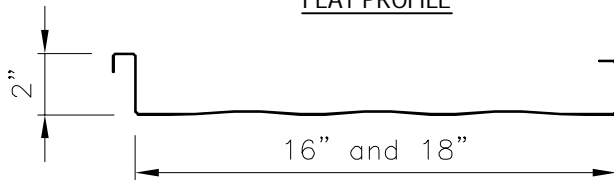


## Maxima ADV (w/out shoulders) (also known as JSM 200)

## Product Data



FLAT PROFILE



STRIATED PROFILE



PENCIL RIB PROFILE

### Applications

Structural panel used on roof slopes 1/2:12 or greater. Continuous lengths up to 200'. Convex curving only - 25ft minimum radius.

### Substrates

Open Purlin, Plywood, Metal Deck, Re-Roof Framing.

### Material

Standard - 24 GA. ASTM A792 (50 ksi)  
Optional - 22 GA. ASTM A792 (50 ksi)  
- 0.032" Aluminum

### Manufacturing

Roll formed in factory or at jobsite.  
Curved at jobsite.

### Finishes

Acrylic Coated Galvalume®  
Fluoropolymer (Kynar 500® PVDF resin-based)

### Pan Conditions

Flat, Striated and Pencil Rib  
(Oil canning is inherent in all metal panels and is not cause for panel rejection. A signed oil canning acknowledgement will be required for all orders prior to production.)

### Testing/Agency Approvals \*

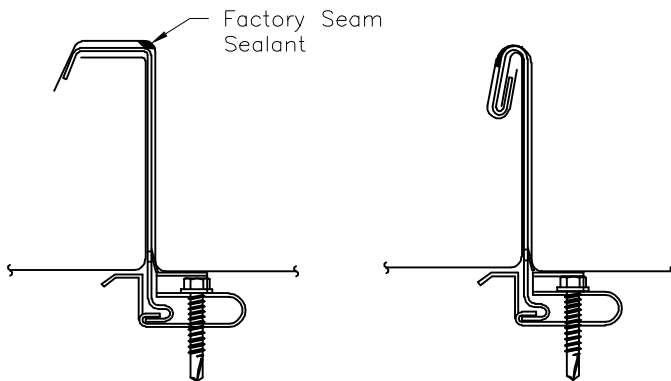
Uplift: UL 580, ASTM E1592  
Air & Water Infiltration: ASTM E1680, ASTM E1646  
Impact Resistance: UL Class 4  
Fire Rating: UL Class A  
\*Testing and Approvals are product specific. Please inquire for details.\*

### NOTE:

All data represented on this sheet may not be applicable to all widths and gauges. Please contact McElroy Metal for more information.

### NOTE:

Factory applied seam sealant can only be ordered on panels that will NOT be curved. If curving these panels, the installer must field apply 3/32" x 3/8" Roll Tape Butyl Sealant.



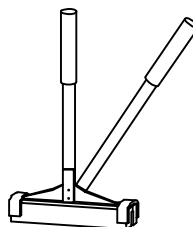
**BEFORE SEAMING**

**AFTER SEAMING**

180° SEAM



**MECHANICAL SEAMER**

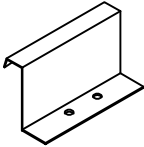


**HAND SEAMER**

Single and Double Lock available

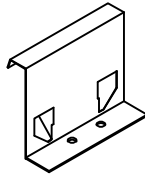
## Maxima ADV (w/out shoulders) (also known as JSM 200) (Continued)

## Product Data



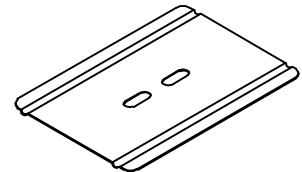
### LOW FIXED CLIP

22 GA. Galvanized G90 - ASTM A653 (50 ksi)  
22 GA. Stainless - ASTM A666 (50 ksi)



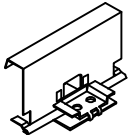
### HIGH FIXED CLIP

22 GA. Galvanized G90 - ASTM A653 (50 ksi)  
22 GA. Stainless - ASTM A666 (50 ksi)



### BEARING PLATE

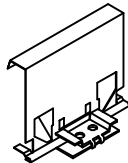
24 GA. - ASTM A792 (50 ksi)



### LOW FLOATING CLIP

2-Piece

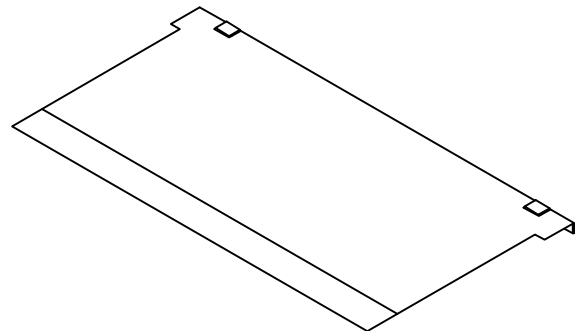
Clip: 22 GA. Galvanized G90 - ASTM A653 (50 ksi)  
Clip: 22 GA. Stainless - ASTM A666 (50 ksi)  
Base: 16 GA. Galvanized G90 - ASTM A653 (50 ksi)



### HIGH FLOATING CLIP

2-Piece

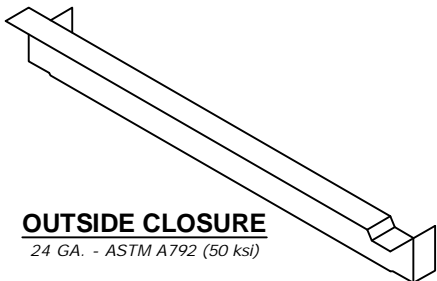
Clip: 22 GA. Galvanized G90 - ASTM A653 (50 ksi)  
Clip: 22 GA. Stainless - ASTM A666 (50 ksi)  
Base: 16 GA. Galvanized G90 - ASTM A653 (50 ksi)



### BACK-UP PLATE

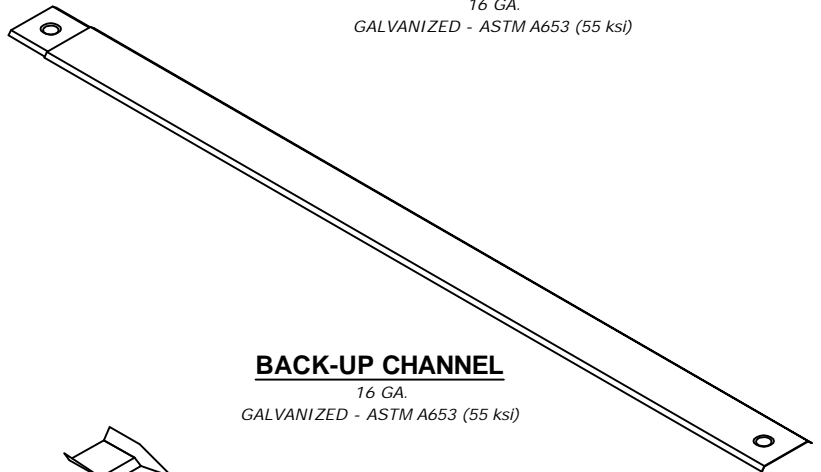
16 GA.

GALVANIZED - ASTM A653 (55 ksi)



### OUTSIDE CLOSURE

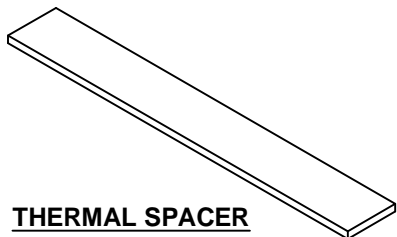
24 GA. - ASTM A792 (50 ksi)



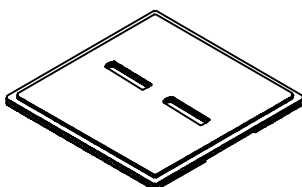
### BACK-UP CHANNEL

16 GA.

GALVANIZED - ASTM A653 (55 ksi)

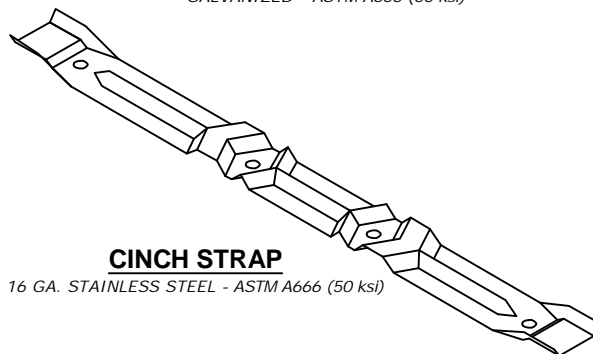


### THERMAL SPACER



### STACKABLE LEVELING SHIM

6" x 6" x 1/4" Thick



### CINCH STRAP

16 GA. STAINLESS STEEL - ASTM A666 (50 ksi)