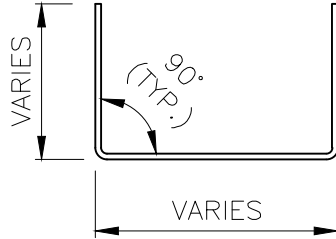


Substructural Parts

Product Data



ROLL-FORMED CHANNEL

Material

ASTM A653 (55ksi) – 10, 12, 14 & 16 GA. Galvanized Steel

ASTM A1011 (55ksi) – 12, 14 & 16 GA. Red Primed Steel

Minimum Length: 5'-0"

Maximum Length: 45'-0"

Min. / Max. Lengths do vary by Plant. Please contact McElroy Metal for more information on lengths.

Finishes

Galvanized G90

Red Primed

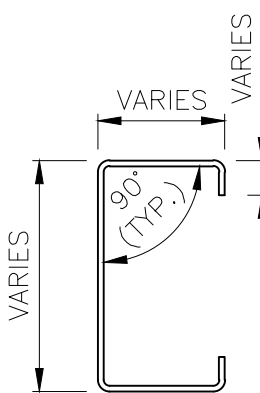
Manufacturing

Roll formed in Adelanto, Ashburn, Bossier, Clinton, Sunnysvale and Winchester Plants.

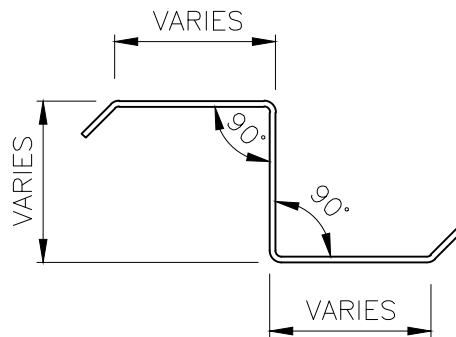
NOTE:

All data represented on this sheet may not be applicable to all widths and gauges.

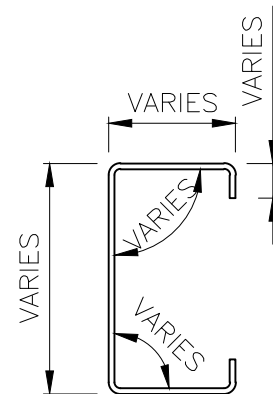
Please contact McElroy Metal for more information.



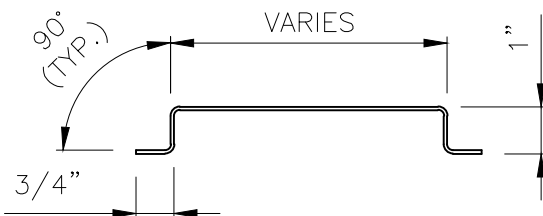
ROLL-FORMED CEE



ROLL-FORMED ZEE



ROLL-FORMED EAVE STRUTS



1" 14GA. HAT SIZE CHART

GA.	"VARIES" DIMENSION	HEIGHT DIMENSION	MATERIAL
14	3"	1"	RED PRIMED
14	6"	1"	RED PRIMED
14	9"	1"	RED PRIMED
14	6"	1"	GALVANIZED
14	9"	1"	GALVANIZED

Material

ASTM A1011 (55ksi) – 14 GA. ONLY Red Primed Steel

ASTM A653 (55ksi) – 14 GA. ONLY Galvanized Steel

Minimum Length: 2'-0"

Maximum Length: 25'-0"

Finishes

Galvanized G90

Red Primed

Manufacturing

Roll formed in Clinton Plant ONLY.

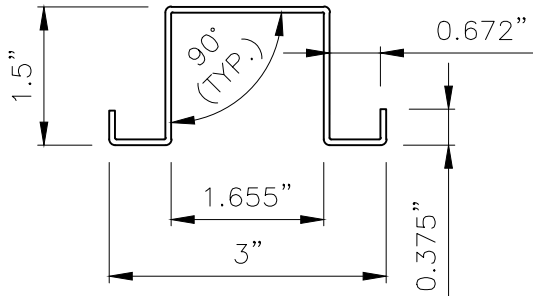
NOTE:

All data represented on this sheet may not be applicable to all widths and gauges.

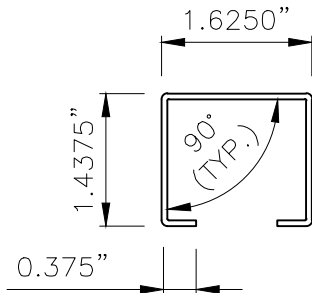
Please contact McElroy Metal for more information.

Substructural Parts (Continued)

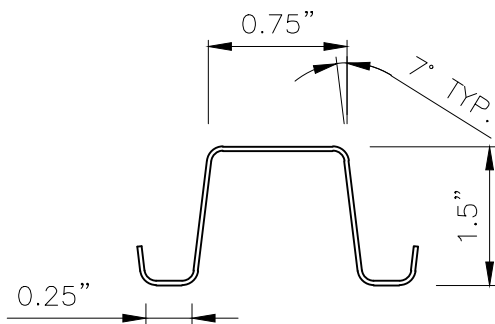
Product Data



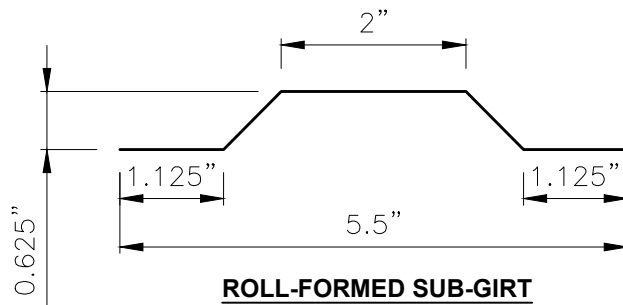
**ROLL-FORMED
HAT**



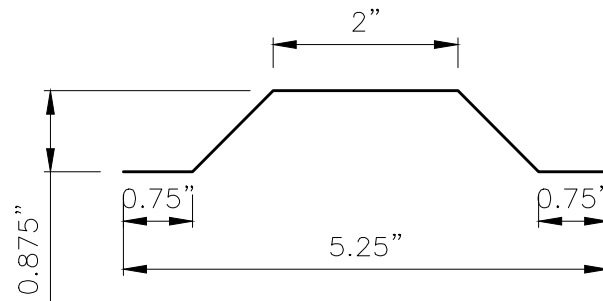
**ROLL-FORMED
CHANNEL**



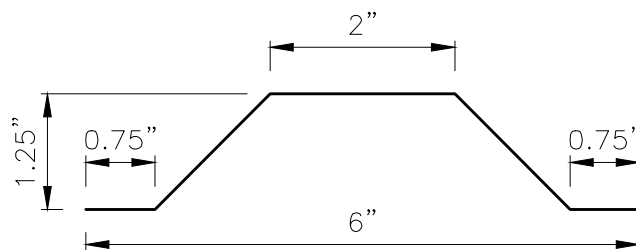
**ROLL-FORMED
MAC-GIRT**



**ROLL-FORMED SUB-GIRT
MSG 1**



**ROLL-FORMED SUB-GIRT
MSG 2**



**ROLL-FORMED SUB-GIRT
MSG 3**

Material

ASTM A653 (55ksi) – 16, 18 & 20 GA. Galvanized Steel
Minimum Length: 10'-0"
Maximum Length: 24'-0"

Finishes

Galvanized G90 – 16 GA.
Galvanized G40 – 18 & 20 GA.

Manufacturing

Roll formed in:
Lewisport – Hat, Channel, Mac-Girt and all listed Sub-Girts
Sunnyvale – Hat, Channel and Mac-Girt only.

NOTE:

All data represented on this sheet may not be applicable to all widths and gauges. Please contact McElroy Metal for more information.